

**GALVESTON COUNTY  
PURCHASING DEPARTMENT**



**INVITATION TO BID**

**ITB #B242006**

**GALVESTON COUNTY MUD #12 EMERGENCY GENERATOR**

**BID DUE DATE: 2/08/2024**

**2:00 PM CST**

***Rufus Crowder, CPPO, CPPB  
Purchasing Agent  
Galveston County  
722 Moody (21<sup>st</sup> Street)  
Fifth (5<sup>th</sup>) Floor  
Galveston, Texas 77550  
(409) 770-5372***



**INVITATION TO BID  
GALVESTON COUNTY MUD # 12 EMERGENCY GENERATOR  
GALVESTON COUNTY, TEXAS**

**Purpose:**

The purpose of this bid is to receive and award a construction contract to build and make operational an emergency generator for Galveston County Municipal District # 12 (MUD- 12) for its Emergency Operations Center (EOC) located at 2929 Hwy 6 Bayou Vista, Texas. Federal grant dollars will be used in this project.

Galveston County and the MUD -12 were awarded federal grant fund to engineer- design, purchase, and have installed a emergency generator at the MUD-12 EOC. The 100% engineer-design is complete and has been incorporated as part of this Invitation to Bid.

There are no known State Historical Preservation Office (SHPO) concerns on this project.

Sealed bids in sets of four (4), one (1) unbound single-sided original and three (3) single-sided copies, will be received in the office of the Galveston County Purchasing Agent until 2:00 PM CST, on Thursday, February 8, 2024, and opened immediately in that office in the presence of Galveston County Auditor and the Purchasing Agent. Sealed bids are to be delivered to Rufus G. Crowder, CPPO CPPB, Galveston County Purchasing Agent at the Galveston County Courthouse, 722 Moody, (21<sup>st</sup> Street), Floor 5, Purchasing, Galveston, Texas 77550, (409) 770-5372.

**The time stamp clock located in the Purchasing Agent's office shall serve as the official time keeping piece for this solicitation process. Any bids received after 2:00 PM CST on the specified date will be returned unopened.**

All submittals must be marked on the outside of the sealed envelope:

**ITB #B242006, GALVESTON COUNTY MUD #12 EMERGENCY GENERATOR**

Bidder's name, return address, should be prominently displayed on the proposal package for identification purposes.

**Virtual Bid Opening:**

Interested parties can attend the Thursday, February 8, 2024, at 2:00 PM bid opening virtually. Join the meeting link below:

**Join from Meeting Link:**

**<https://galvestoncountytexas.webex.com/galvestoncountytexas/j.php?MTID=m14a9d2132ba39a59c147d658e5475451>**

**Pre-Bid Conference:**

A mandatory Pre-Bid conference will be held on Wednesday, January 17, 2023, at 10:00 AM, CST. Join the meeting link below:

**Join from Meeting Link:**

**<https://galvestoncountytexas.webex.com/galvestoncountytexas/j.php?MTID=m68923a400b0e6fa0e2678da094964967>**

**Plans and Specifications:** Specifications can be obtained by visiting the Galveston County website @ <http://www.galvestoncountytexas.gov/county-offices/purchasing>

**Pricing:** Submitted prices, if required and applicable, shall be either lump sum or unit prices as shown on proposal sheets. The net price shall be delivered to Galveston County, including all freight, shipping, and license fees. Galveston County is tax exempt, and no taxes should be included in proposal pricing.

## **Bonding Requirements:**

- **DAVIS-BACON WAGE RATES:**

Davis-Bacon Wage Rates are requirements for this solicitation.

Attention is called to the fact that not less than, the federally determined prevailing (Davis-Bacon and Related Acts) wage rates are required to be paid to laborers and mechanics. When required by Federal program legislation, all prime construction contracts in excess of \$2,000 must include a provision for compliance with the Davis-Bacon Act as supplemented by the Department of Labor regulations (29 C.F.R. Part 5, "Labor Standards Provisions Applicable to Contracts Covering Federally Financed and Assisted Construction"). In accordance with the statute, contractor must be required to pay wages to laborers and mechanics at a rate not less than the prevailing wages specified in a wage determination made by the Secretary of Labor. The decision to award a contract or subcontract must be conditioned upon the acceptance of the wage determination. In addition, contractors must be required to pay wages not less than once a week. In addition, the successful bidder must ensure that employees and applicants for employment are not discriminated against because of race, color, religion, sex, age, or national origin. Please reference the General Provisions, item 69, Procurement Laws, sub-item 3, **Davis-Bacon Act as amended (40 U.S.C. 3141-3148)**.

- **DEBARMENT AND SUSPENSION:**

To participate in this solicitation, respondent certifies that neither it, nor any of its Principals, are presently debarred, suspended, proposed for debarment, disqualified, excluded, or in any way declared ineligible for the award of contracts by any Federal agency. All contractors/subcontractors that are debarred, suspended, or otherwise excluded from or ineligible for participation on federal assistance programs may not undertake any activity in part or in full under this project.

The Galveston County Commissioners' Court reserves the right to waive any informality and to reject any and all bids and to accept the bid or bids which, in its opinion, is most advantageous to Galveston County with total respect the governing laws.

Rufus G. Crowder, CPPO CPPB  
Purchasing Agent  
Galveston County

**GENERAL PROVISIONS**

**INFORMATION TO BID  
GALVESTON COUNTY MUD # 12 EMERGENCY GENERATOR  
GALVESTON COUNTY, TEXAS**

**Table of Contents**

1.	<b>BID PACKAGE .....</b>	<b>4</b>
2.	<b>BIDDER’S RESPONSIBILITY .....</b>	<b>4</b>
3.	<b>TIME FOR RECEIVING BIDS .....</b>	<b>5</b>
4.	<b>COMPETITIVENESS, INTEGRITY, INQUIRIES AND QUESTIONS .....</b>	<b>5</b>
5.	<b>BID OPENING .....</b>	<b>6</b>
6.	<b>WITHDRAWAL OF BID / FIRM BID RULE.....</b>	<b>6</b>
7.	<b>COMMISSIONERS’ COURT.....</b>	<b>6</b>
8.	<b>REJECTION OF BIDS / DISQUALIFICATION.....</b>	<b>7</b>
9.	<b>RESTRICTIVE OR AMBIGUOUS SPECIFICATIONS .....</b>	<b>7</b>
10.	<b>SUBSTITUTES / DESCRIPTION OF MATERIALS AND EQUIPMENT .....</b>	<b>7</b>
11.	<b>EXCEPTIONS TO BID CONDITIONS .....</b>	<b>7</b>
12.	<b>PRICING.....</b>	<b>8</b>
13.	<b>PROCUREMENT CARD (P-CARD) PROGRAM .....</b>	<b>8</b>
14.	<b>PASS THROUGH COST ADJUSTMENTS.....</b>	<b>8</b>
15.	<b>MODIFICATION OF BIDS .....</b>	<b>9</b>
16.	<b>PRE-BID CONFERENCE .....</b>	<b>9</b>
17.	<b>SIGNATURE OF BIDS.....</b>	<b>9</b>
18.	<b>AWARD OF BIDS – EVALUATION CRITERIA AND FACTORS.....</b>	<b>10</b>
19.	<b>DISPUTE AFTER AWARD / PROTEST.....</b>	<b>11</b>
20.	<b>PUBLIC INFORMATION ACT (F/K/A OPEN RECORDS ACT) .....</b>	<b>11</b>
21.	<b>BIDDER’S E-MAIL ADDRESSES – CONSENT TO DISCLOSURE.....</b>	<b>12</b>
22.	<b>RESULTANT CONTRACT .....</b>	<b>12</b>
23.	<b>CONTRACT TERM .....</b>	<b>13</b>
25.	<b>TERMINATION FOR DEFAULT .....</b>	<b>14</b>
26.	<b>TERMINATION FOR CONVENIENCE.....</b>	<b>14</b>
27.	<b>FORCE MAJEURE .....</b>	<b>14</b>
28.	<b>ESTIMATED QUANTITIES.....</b>	<b>15</b>
29.	<b>CONTRACTOR INVESTIGATION.....</b>	<b>15</b>
30.	<b>NO COMMITMENT BY COUNTY OF GALVESTON.....</b>	<b>15</b>



**GENERAL PROVISIONS**

**INFORMATION TO BID  
GALVESTON COUNTY MUD # 12 EMERGENCY GENERATOR  
GALVESTON COUNTY, TEXAS**

31.	BID COSTS BORNE BY BIDDER.....	15
32.	BEST AND FINAL OFFERS (BAFO).....	15
33.	SINGLE BID RESPONSE .....	16
34.	CHANGES IN SPECIFICATIONS .....	16
35.	BID IDEAS AND CONCEPTS .....	16
36.	BID DISCLOSURES .....	16
37.	INDEMNIFICATION .....	16
38.	REQUIREMENT OF AND PROOF OF INSURANCE.....	17
39.	BID GUARANTEE .....	18
40.	PERFORMANCE AND PAYMENT BONDS (IF REQUIRED) .....	19
41.	PATENT AND COPYRIGHT PROTECTION .....	20
42.	CONFLICT OF INTEREST DISCLOSURE REPORTING (FORM CIQ) .....	20
43.	DISCLOSURE OF INTERESTED PARTIES/FORM 1295 .....	21
44.	CERTIFICATION REGARDING DEBARMENT, SUSPENSION, PROPOSED DEBARMENT, AND OTHER RESPONSIBILITY MATTERS & REQUIREMENT TO REGISTER IN SAM.....	22
45.	TRANSACTIONS WITH TERRORIST ORGANIZATIONS PROHIBITED .....	23
46.	VERIFICATION NOT TO BOYCOTT ISRAEL .....	23
47.	SOVEREIGN IMMUNITY .....	24
48.	CONTROLLING LAW AND VENUE .....	24
49.	MERGERS, ACQUISITIONS .....	24
50.	DELAYS.....	25
51.	ACCURACY OF DATA .....	25
52.	SUBCONTRACTING/ASSIGNMENT .....	25
53.	INDEPENDENT CONTRACTOR .....	25
54.	MONITORING PERFORMANCE .....	25
55.	SUBJECT TO APPROPRIATION OF FUNDS.....	25
56.	CONTRACTS SUBJECT TO GRANT FUNDING.....	26
57.	PROCUREMENT ETHICS.....	26
58.	NON-COLLUSION AFFIDAVIT.....	28
59.	CERTIFICATION REGARDING LOBBYING – COMPLIANT WITH APPENDIX A TO 24 C.F.R. PART 871 .....	28
60.	NON-DISCRIMINATION .....	29

**GENERAL PROVISIONS**

**INFORMATION TO BID  
GALVESTON COUNTY MUD # 12 EMERGENCY GENERATOR  
GALVESTON COUNTY, TEXAS**

61.	RECORD RETENTION AND RIGHT TO AUDIT.....	30
62.	TITLE VI ASSURANCES/TXDOT.....	30
63.	ASSURANCES FOR CONSTRUCTION PROGRAMS - TEXAS GENERAL LAND OFFICE (GLO) 31	
64.	GENERAL AFFIRMATIONS – TEXAS GENERAL LAND OFFICE (GLO).....	34
65.	SECTION 231.006, FAMILY CODE/DELINQUENT CHILD SUPPORT .....	41
66.	ANTITRUST .....	41
67.	LABOR STANDARDS.....	41
68.	PROCUREMENT STANDARDS -.....	41
69.	PROCUREMENT LAWS .....	53
70.	SECTION 3 CLAUSE (§ 135.38) – HOUSING AND URBAN DEVELOPMENT (HUD) .....	59
71.	REQUIRED CONTRACT PROVISIONS.....	61
72.	NON-EXCLUSIVE LIST OF APPLICABLE LAWS, RULES, AND REGULATIONS – TEXAS GENERAL LAND OFFICE (GLO) .....	79
73.	SPECIAL CONDITIONS – TEXAS GENERAL LAND OFFICE (GLO) .....	83
74.	ENERGY EFFICIENCY (42 U.S.C. 6201 AND 2 CFR 200 APPENDIX II (H)) .....	88
75.	LEAD AND ASBESTOS .....	88
76.	USE OF DHS SEAL, LOGO, AND FLAGS PROHIBITED WITHOUT PRIOR APROVAL .....	88
77.	FEDERAL GOVERNMENT NOT A PARTY .....	88
78.	PROGRAM FRAUD AND FALSE OR FRAUDULENT STATEMENTS OR RELATED ACTS .....	88
79.	ACKNOWLEDGMENT OF GOVERNMENT RECORD.....	89
80.	COMPLIANCE WITH GALVESTON COUNTY PURCHASING POLICIES AND PROCEDURES 89	
81.	ENTIRETY OF AGREEMENT AND MODIFICATION.....	89
82.	NOTICE .....	90

## GENERAL PROVISIONS

### INFORMATION TO BID GALVESTON COUNTY MUD # 12 EMERGENCY GENERATOR GALVESTON COUNTY, TEXAS

The Special Provisions and the General Provisions of this Invitation to Bid and the Exhibits attached hereto are made a part of this agreement between the Parties. In the event of a conflict between the General Provisions and the Special Provisions, the terms of the Special Provisions shall control.

This solicitation is issued under the general guidance and mandates as referenced in the *Texas Local Government Code, SUBCHAPTER C. COMPETITIVE BIDDING IN GENERAL, Sec. 262.021. SHORT TITLE. This subchapter may be cited as the County Purchasing Act.*

Interested parties are requested to familiarize themselves with these provisions as well as the entire General and Special Provision sections of this document prior to participating and submitting a response to this request.

#### 1. BID PACKAGE

*The Invitation to Bid, General and Special Provisions, drawings, specifications/line-item details, contract documents, addenda (if any), and the Bid are all part of the Bid package and Resultant Contract. **Bids must be submitted in sets of four (4), one (1) unbound original, and three (3) copies**, on the forms provided by the County if County forms are provided and shall include the Bid sheets completed in their entirety and signed by an authorized representative by original signature. Failure to complete and sign the Bid sheets/contract page(s) may disqualify the Bid from being considered by the Commissioners' Court. Any individual signing on behalf of the Bidder expressly affirms that he or she is duly authorized to tender this Bid and to sign the Bid under the terms and conditions in this request for Bid on behalf of the Bidder and to bind the Bidder to the terms and conditions of this request for Bid and the Bidder's response hereto.*

*Bidder further understands that Bidders' signing of the contract shall be of no effect unless the contract is subsequently awarded by the Commissioners' Court and the contract properly executed by the Commissioners' Court.*

*All figures must be written in ink or typed. Figures written in pencil or with erasures are not acceptable. However, mistakes may be crossed out, corrections inserted, and initialed in ink by the individual signing the bid. If there are discrepancies between unit prices quoted and extensions, the unit price shall prevail.*

*Each Bidder is required to thoroughly review this entire Invitation to Bid package to familiarize themselves with the Bid procedures, the plans and specifications for the requested work, as well as the terms and conditions of the contract the successful Bidder will execute with the County.*

#### 2. BIDDER'S RESPONSIBILITY

The Bidder must affirmatively demonstrate its responsibility. The Bidder must also meet the following minimum requirements:

- A. have adequate financial resources or the ability to obtain such resources as required;
- B. be able to comply with all federal, state, and local laws, rules, regulations, ordinances, and orders regarding this request for Bid;
- C. have a satisfactory record of performance;
- D. have a satisfactory record of integrity and ethics; and
- E. be otherwise qualified and eligible to receive an award.

## GENERAL PROVISIONS

### INFORMATION TO BID GALVESTON COUNTY MUD # 12 EMERGENCY GENERATOR GALVESTON COUNTY, TEXAS

#### 3. TIME FOR RECEIVING BIDS

Bids may be submitted by mail or hand delivery and **must be submitted only to the Galveston County Purchasing Agent**. If by delivery, the Bidder must deliver the Bid to the reception desk in the County Purchasing Agent's Office. The delivery and mailing instructions for the Galveston County Purchasing Agent are the following:

**Rufus Crowder, CPPO CPPB  
Galveston County Purchasing Agent  
722 Moody, Fifth (5<sup>th</sup>) Floor  
Galveston, Texas 77550**

Bids will **not** be accepted by facsimile transmission or by electronic mail (email) unless superseded by instructions within the Special Provisions section of this solicitation. Bids must be received by the County Purchasing Agent on or before the deadline for the opening of the Bids. **For clarity, mailing date/postmark is not sufficient – Bids must be received by the County Purchasing Agent on or before the deadline.** Late Bids will not be accepted and will be returned to the Bidder unopened. Bids received prior to the submission deadline will be maintained unopened until the specified time for opening.

The County Purchasing Agent will accept Bids from 8:00 a.m. to 5:00 p.m. on each business day up to the submission deadline. Business days do not include Saturdays and Sundays, and do not include other days in which the County is closed for business in observance of holidays or for other reasons.

**The time-stamp clock within the County Purchasing Agent's Office shall be the official time clock for the purpose of this solicitation and thus shall be the determinant of whether the Bid was timely received.**

**The Bidder should prominently identify the procurement number and name on the outside of the envelope/ mailing package.** If the Bidder fails to identify the request for Bid number and name on the outside of the envelope as required, the Purchasing Agent will open the envelope for the sole purpose of identifying the solicitation number for which the submission was made. The envelope will then be resealed. No liability will attach to a County office or employee for the premature opening of a Bid.

If a Bid is not submitted, return this Request for Bid and state reason (s), otherwise your name may be removed from the Purchasing Agent's mailing list.

#### 4. COMPETITIVENESS, INTEGRITY, INQUIRIES AND QUESTIONS

To prevent biased evaluations and to preserve the competitiveness and integrity of the procurement process, **Bidders are to direct all communications regarding this invitation to bid only to the Galveston County Purchasing Agent**, unless otherwise specifically noted.

**Do not contact the requesting department.** Attempts by offering firms to circumvent this requirement will be viewed negatively and may result in rejection of the Bid of the firm found to be in non-compliance.

## GENERAL PROVISIONS

### INFORMATION TO BID GALVESTON COUNTY MUD # 12 EMERGENCY GENERATOR GALVESTON COUNTY, TEXAS

All questions regarding this Invitation to Bid must be submitted in writing to:

Rufus Crowder, CPPO CPPB  
Purchasing Agent  
722 Moody  
Fifth (5<sup>th</sup>) Floor  
Galveston, Texas 77550  
Fax: (409) 621-7997  
E-mail: [purchasing.bids@co.galveston.tx.us](mailto:purchasing.bids@co.galveston.tx.us)

All questions received and the responses thereto will be mailed, emailed, or faxed to all prospective Bidders by addendum. No inquiries except clarification of instructions will be addressed by telephone.

Bidder is advised to carefully review this Invitation to Bid – it provides specific information necessary to aid participating firms in formulating a thorough response. Bidder's failure to examine all documents shall not entitle the Bidder to any relief from the conditions imposing in the Invitation to Bid and the resultant contract.

**An authorized person from the Bidder must sign the Bid.** This signatory must be a person from the submitting firm who is duly authorized to tender and sign the Bid on behalf of the Bidder and to bind the Bidder to the terms and conditions of this Request for Bid, the Bidder's response, and all other terms and conditions of the contract. By this signature, the Bidder further acknowledges that the Bidder has read the request for Bid and Bid documents thoroughly before submitting a Bid and will fulfill the obligations in accordance with the terms, conditions, and specifications detailed herein.

#### 5. **BID OPENING**

The Purchasing Agent shall open the Bids on the date and time specified herein. Bids shall be opened in a manner that avoids disclosure of the contents to competing offerors and that keeps the Bids secret during negotiations. The Purchasing Agent will examine Bids promptly and thoroughly. **Upon opening, no Bid may be withdrawn for a period of sixty (60) calendar days after the Bid opening date.**

#### 6. **WITHDRAWAL OF BID / FIRM BID RULE**

Bidders may request withdrawal of their sealed Bid prior to the scheduled Bid opening time provided the request for withdrawal is submitted to the Purchasing Agent in writing. No Bids may be withdrawn for a period of sixty (60) calendar days after opening of the Bids.

#### 7. **COMMISSIONERS' COURT**

No contract is binding on the County until it is properly placed on the Commissioners' Court agenda, approved in open Court, authorized to be executed by the County Judge, and fully executed by both parties.

Department heads and elected officials are not authorized to enter into any type of agreement or contract on behalf of the County. Only the Commissioners' Court acting as a body may enter into a contract on behalf of and contractually bind the County. Additionally, department heads and elected officials are not authorized to agree to any type of supplemental agreements or contracts for goods or services. Supplemental agreements are subject to review by the County Legal Department prior to being accepted and signed by the County's authorized representative.

## GENERAL PROVISIONS

### INFORMATION TO BID GALVESTON COUNTY MUD # 12 EMERGENCY GENERATOR GALVESTON COUNTY, TEXAS

#### 8. REJECTION OF BIDS / DISQUALIFICATION

Galveston County, acting through its Commissioners' Court, reserves the right to:

- reject any and all Bids in whole or in part received by reason of this request for Bid;
- waive any informality in the Bids received;
- disregard the Bid of any Bidder determined to be not responsible;
- disregard the Bid of any Bidder determined to have not submitted its Bid timely; and/or
- discontinue its efforts for any reason under this request for Bid package at any time prior to actual execution of contract by the County.

Bidders may be disqualified, and rejection of Bids may be recommended to the Commissioners' Court for any of (but not limited to) the following causes:

- A. Failure to use the Bid forms furnished by the County, if applicable;
- B. Lack of signature by an authorized representative of Bidder;
- C. Failure to properly complete the Bid;
- D. Engaging in communications regarding this procurement during the pendency of this procurement with County officials and/or personnel who are not within the Purchasing Department;
- E. Failure to meet the mandatory requirements of this request for Bid; and/or
- F. Evidence of collusion among Bidders.

#### 9. RESTRICTIVE OR AMBIGUOUS SPECIFICATIONS

It is the responsibility of the prospective Bidder to review the entire request for Bid packet and to notify the Purchasing Agent if the specifications are formulated in a manner that would restrict competition or appear ambiguous. Any protest or question(s) regarding the specifications or Bid procedures must be received in the Purchasing Agent's Office not less than seventy-two (72) hours prior to the time set for Bid opening. Bidders are to submit their Bid as specified herein or propose an approved equal.

#### 10. SUBSTITUTES / DESCRIPTION OF MATERIALS AND EQUIPMENT

Any brand name or manufacturer reference used herein is intended to be descriptive and not restrictive, unless otherwise noted, and is used to indicate the type and quality of material. The term "or equal" if used, identifies commercially produced items that have the essential performance and salient characteristics of the brand name stated in the item description. All supplies, material, or equipment shall be new and of the most suitable grade for the purpose intended. For clarification, "new" includes products containing recovered materials that are EPA-designated items and additionally see Section 63 of these General Provisions on contracts involving federal funds. It is not the County's intent to discriminate against any materials or equipment of equal merit to those specified. However, if Bidder desires to use any substitutions, prior written approval must be obtained from the Purchasing Agent and sufficiently in advance such that an addendum may be issued. All material supplied must be one hundred percent (100%) asbestos free. Bidder, by submission of its Bid, certifies that if awarded any portion of this procurement, the Bidder will supply only material and equipment that is 100% asbestos free.

#### 11. EXCEPTIONS TO BID CONDITIONS

**The Bidder will list on a separate sheet of paper any exceptions to the conditions of this request for Bid.** This sheet will be labeled, "Exceptions to Bid Conditions", and will be attached to the Bid. If no

## GENERAL PROVISIONS

### INFORMATION TO BID GALVESTON COUNTY MUD # 12 EMERGENCY GENERATOR GALVESTON COUNTY, TEXAS

exceptions are stated. it will be understood that all general and special conditions will be complied with, without exception.

The Bidder must specify in its Bid any alternatives it wishes to propose for consideration by the County. Each alternative should be sufficiently described and labeled within the Bid and should indicate its possible or actual advantage to the program being offered.

The County reserves the right to offer these alternatives to other Bidders.

#### 12. PRICING

Bids will be either lump sum or unit prices as shown on the Bid sheets if included. The net priced items will be delivered to Galveston County, including all freight, shipping, and delivery charges. Galveston County is a tax-exempt local government of the State of Texas, therefore, no taxes shall be included with submitted pricing.

Cash discount must be shown on the Bid, otherwise prices will be considered net. Unless prices and all information requested are complete, the Bid may be disregarded and given no consideration.

In case of default by the contractor, the County of Galveston may procure the articles or services from other sources and may deduct from any monies due, or that may thereafter become due to the contractor, the difference between the price named in the contract of purchase order and the actual cost thereof to the County of Galveston. Prices paid by the County of Galveston shall be considered the prevailing market price at the time such purchase is made. Periods of performance may be extended if the facts as to the cause of delay justify such extension in the opinion of the Purchasing Agent and the Commissioners' Court.

#### 13. PROCUREMENT CARD (P-CARD) PROGRAM

The County of Galveston participates in a Procurement Card (P-Card) program that allows payments made to a vendor by credit card. This method typically results in substantially faster bill payments, sometimes within three (3) to five (5) days of the actual transaction date. All transaction fees from the card provider are to be paid by the successful contractor. If awarded company will accept payment via credit card (Visa, MasterCard, etc.), this should be notated in the Bid submittal.

#### 14. PASS THROUGH COST ADJUSTMENTS

Except in instances of extreme extenuating circumstances, Contractor prices shall remain firm throughout the contract period and any renewals. Examples of extreme extenuating circumstances include such situations as a nationwide rail strike, oil shortage or oil embargo.

In extreme extenuating circumstances, Contractors may be allowed to temporarily "pass through" additional costs they are forced to incur through no fault of their own. A request for a pass-through cost increase will not be considered unless a Contractor's cost for the Contractor's product exceeds 10% over the original cost for the product. Also, the increase in cost must be nationwide and consistent for a minimum period of sixty (60) calendar days. Costs that historically are anticipated to rise over a period of time (for example only, such as wages or insurance costs) do not qualify for pass through. If a Contractor thinks he will be asking for a pass-through cost adjustment during the term of the contract, then the original cost of the product to Contractor must be stated in Contractor's original Bid.

## **GENERAL PROVISIONS**

### **INFORMATION TO BID GALVESTON COUNTY MUD # 12 EMERGENCY GENERATOR GALVESTON COUNTY, TEXAS**

A request for a pass-through cost does not guarantee that one will be granted. Contractors must submit such information on each request as required by the County Purchasing Agent. The County Purchasing Agent will review each request on a case-by-case basis and if valid submit the request to the Commissioners' Court for authorization and determination of the appropriateness of each request as well as amount and duration of increase. Contractors will not be permitted any additional compensation for mark-ups or profits based on the increase in price. Rather, such additional compensation will be limited to the actual increase in original cost to the Contractor as such increase is reflected by the original cost stated in the bid. But in no event will the amount of additional compensation exceed 25% increase in Contractor's original cost for the product as such cost is reflected in Contractor's original Bid or the duration exceed a period of sixty (60) calendar days. In addition, should the cost, during the period of the pass through, return to normal or decrease to below pre pass through prices, appropriate downward adjustments shall be made. No more than one pass through adjustment will be permitted per year.

#### **15. MODIFICATION OF BIDS**

A Bidder may modify a Bid by letter at any time prior to the submission deadline for receipt of Bids. Modification requests must be received by the Purchasing Agent prior to the submission deadline. Modifications made before opening time must be initialed by Bidder guaranteeing authenticity. Bids may not be amended or altered after the official opening with the single exception that any product literature and/or supporting data required by the actual specifications, if any, will be accepted at any time prior to the Commissioners' Court considering of same.

#### **16. PRE-BID CONFERENCE**

A pre-bid conference for the purpose of discussing contract requirements and answering questions of prospective Bidders may be conducted in this procurement. A pre-Bid conference may be mandatory or voluntary. If the pre-bid conference is mandatory, then the County is authorized to condition acceptance of a Bid on compliance with attendance. The Special Provision section of this procurement shall specify if a pre-bid conference is to be held and shall specify whether the pre-bid conference is mandatory or voluntary. Regardless of whether the pre-Bid conference is mandatory or voluntary, only a principal, officer, or employee of the Bidder may represent the Bidder at the pre-bid conference and no person may represent more than one Bidder at the pre-bid conference.

#### **17. SIGNATURE OF BIDS**

Each Bid shall give the complete name of the Bidder and the mailing address of the Bidder and be signed by an authorized representative by original signature with the authorized representative's name and legal title typed below the signature line. Each Bid shall include the Bidder's Federal Employer Identification Number (FEIN). Failure to sign the Contract page(s) and Bid response sheets may disqualify the Bid from being considered by the County. The person signing on behalf of the Bidder expressly affirms that the person is duly authorized to tender the Bid on behalf of the Bidder and to sign the Bid sheets and contract under the terms and conditions of this Invitation to Bid and to bind the Bidder hereto and further understands that the signing of the contract shall be of no effect until it is properly placed on the Commissioners' Court agenda, approved in open Court, authorized to be executed by the County Judge, and fully executed by both parties.



## GENERAL PROVISIONS

### INFORMATION TO BID GALVESTON COUNTY MUD # 12 EMERGENCY GENERATOR GALVESTON COUNTY, TEXAS

#### 18. AWARD OF BIDS – EVALUATION CRITERIA AND FACTORS

The award will be made to the responsible Bidder whose Bid is determined to be the lowest and best evaluated offer demonstrating the best ability to fulfill the requirements set forth in this Request for Bid. **The proposed cost to the County will be considered firm and cannot be altered after the submission deadline, unless the County invokes its right to request a best and final offer.**

“Lowest and best” means a bid or offer providing the best value considering associated direct and indirect costs, including transport, maintenance, reliability, life cycle, warranties, and customer service after a sale.

In determining the lowest and best bid for a contract for the purchase of earth-moving, material-handling, road maintenance, or construction equipment, the Commissioners’ Court may also consider the information submitted under Section 262.0255 of the Local Government Code; and in determining the lowest and best bid for a contract for the purchase of road construction material, the Commissioners’ Court may consider the pickup and delivery locations of the bidders and the cost to the county of delivering or hauling the material to be purchased. The Commissioners’ Court may award contracts for the purchase of road construction material to more than one bidder if each of the selected bidders submits the lowest and best bid for a particular location or type of material.

Each Bidder, by submitting a Bid, agrees that if its’ Bid is accepted by the Commissioners’ Court, the Bidder will furnish all items and services upon which prices have been tendered and upon the terms and conditions in this Bid, including but not limited to the best and final offer if applicable, and the contract.

The contractor shall commence work only after the transmittal of a fully executed contract and after receiving written notification to proceed from the County Purchasing Agent. The contractor will perform all services indicated in the Bid in compliance with this contract.

Neither department heads nor elected officials are authorized to sign any binding contracts or agreements prior to being properly placed on the Commissioners’ Court agenda and approved in open court. Department heads and other elected officials are not authorized to enter into any type of agreement or contract on behalf of Galveston County. Only the Commissioners’ Court, acting as a body, may enter into a contract on behalf of the County. Additionally, department heads and other elected officials are not authorized to agree to any type of supplemental agreements or contracts for goods or services. Supplemental agreements are subject to review by the County’s legal counsel prior to being signed by the County’s authorized representatives.

The County of Galveston reserves the right to accept Bids on individual items listed, or group items, or on the Bid as a whole; to reject any and all Bids; to waive any informality in the Bids; to disregard Bids that are not submitted timely; to disregard the Bids of Bidders determined to be not responsible; and to accept the Bid that appears to be in the best interest of the County. The selection process may, however, include a request for additional information or an oral presentation to support the written Bid.

In determining and evaluating the best Bid, the pricing component may not necessarily be controlling, but quality, equality, efficiency, utility, general terms, delivery, suitability of the service offered, and the reputation of the service in general use will also be considered along with any other relevant items.

The County reserves the right to reject any or all Bids in whole or in part received by reason of this Request for Bid and may discontinue its efforts under this Request for Bid for any reason or no reason or solely for the County’s convenience at any time prior to actual execution of the contract by the County.

## GENERAL PROVISIONS

### INFORMATION TO BID GALVESTON COUNTY MUD # 12 EMERGENCY GENERATOR GALVESTON COUNTY, TEXAS

**A Bidder whose Bid does not meet the mandatory requirements set forth in this request for Bid will be considered non-compliant.**

The invitation to submit a Bid which appears in the newspaper, or other authorized advertising mediums, these general provisions, the special specifications which follow, the Bid sheets, forms, and any addenda issued are all considered part of the Bid and resultant contract.

Each Bidder, by submitting a Bid, agrees that if its Bid is accepted by the Commissioners' Court, such Bidder will furnish all items and services upon the terms and conditions in this request for Bid and the resultant contract.

Notice of contract award is anticipated to be made within ninety (90) days of opening of Bids to the lowest responsive and responsible contractor, whose Bid complies with all the requirements in the request for Bid.

Contractor shall submit to the County, for approval, within ten (10) days from notice of contract award, all Certificates of Insurance evidencing the required coverage as described under Section 37, Requirement of and Proof of Insurance, or if different, then as described within the Special Provisions or resultant contract.

The contractor shall not commence work under these terms and conditions of the contract until all applicable Purchase Orders, Certificates of Insurance, Performance and Payment Bonds, and Irrevocable Letters of Credit (if required) have been approved by the County of Galveston and the Contractor has received notice to proceed in writing and an executed copy of the contract from the County Purchasing Agent.

#### **19. DISPUTE AFTER AWARD / PROTEST**

Any actual or prospective Bidder who is allegedly aggrieved in connection with this procurement or award of a contract resulting therefrom may protest. The protest shall be submitted in writing to the Purchasing Agent within seven (7) calendar days after such aggrieved person knows of or should have known of the facts giving rise thereto. If the protest is not resolved by mutual agreement, the Purchasing Agent will promptly issue a decision in writing to the protestant. If the protestant wishes to appeal the decision rendered by the Purchasing Agent, such appeal must be made to the Commissioners' Court through the Purchasing Agent. The decision of the Commissioners' Court will be final. The Commissioners' Court need not consider protests unless this procedure is followed.

#### **20. PUBLIC INFORMATION ACT (f/k/a Open Records Act)**

The Bidder acknowledges that the County is a government body for purposes of the Public Information Act, codified as Chapter 552 of the Texas Government Code, and as such is required to release information in accordance with the provisions of the Public Information Act.

**If Bidder considers any of its submitted information to be proprietary in nature, trade secret, or otherwise confidential, then it must clearly and conspicuously mark such information as proprietary, trade, secret, or confidential. By the submission of its Bid, Bidder expressly affirms that it has clearly and conspicuously marked any information within its submission that Bidder considers confidential, proprietary, and/or trade secret.**

In the event the County receives a request for information under the Public Information Act seeking information that the Bidder has marked as confidential, proprietary, and /or trade secret, then the County

## GENERAL PROVISIONS

### INFORMATION TO BID GALVESTON COUNTY MUD # 12 EMERGENCY GENERATOR GALVESTON COUNTY, TEXAS

agrees that it shall provide notice to the Bidder of the request for information and the request for decision process under the Public Information Act. Thus, the County will submit the initial correspondence to the Texas Attorney General – however, the burden is and shall be on the Bidder to submit correspondence to the Attorney General if the Bidder wishes its information to be withheld. Bidder is deemed to have knowledge of the Public Information Act. **By the submission of its Bid, Bidder expressly acknowledges that the burden to withhold its' information from public disclosure lays with the Bidder;** thus, Bidder further acknowledges and agrees that it shall submit comments to the Texas Attorney General in the request for decision process if Bidder wishes to have its' information withheld from public disclosure.

#### 21. BIDDER'S E-MAIL ADDRESSES – CONSENT TO DISCLOSURE

Notwithstanding the foregoing Section 20, Bidder acknowledges and agrees that the confidentiality of any and all email addresses Bidder uses or discloses in communicating with the County are **open** to the public in accordance with Section 552.137 of the Government Code and Bidder consents to the release of its email addresses.

#### 22. RESULTANT CONTRACT

**Bidder should submit a proposed contract / agreement with its response, or its sample material terms and conditions for review and consideration.**

It is the intent of this solicitation to enter a contract that meets State and Federal guidelines. It is imperative that all responders seeking a contract under this solicitation effort, familiarize and adhere to the requirements of the General Provisions, Special Provisions, and the procurement standards as referenced in 2 C.F.R. Part 200, Sections 200.317-200.326, and Appendix II, 2 C.F.R. Part 200. Sections 200.317–200.326 and Appendix II are referenced in the General Provisions section of this solicitation.

The resultant contract consists of the following documents: Invitation to Bid, General Provisions, Special Provisions, General Terms and Conditions (including specifications, drawings, and addenda), Bidder's Bid, Bid Sheets, contract award, and any other documents referenced herein or attached hereto for the work. Collectively these documents may also be referred to as the Plans and Specifications.

The Galveston County Commissioners Court, and/or authorized designees will be responsible for negotiating with the successful contractor, the scope of work, the standards of performance, the specific technology provided, and the support services required for the proposed projects. All contractual amendments will be processed in accordance with Galveston County Purchasing Policies and Procedures.

Amendments will also be brought to Galveston County Commissioners' Court for approval as deemed necessary. The approval process serves to ensure the project technology and/or service is within the scope of the resultant contract, and that pricing meets the agreed upon pricing methodology as specified in the contract, and that funds are available.

Bidder shall correctly and fully execute the resultant contract first. After this, the contract shall be set for consideration by the Commissioners' Court. If the Commissioners' Court authorizes the execution of the contract, the resultant contract shall become effective upon the Commissioners' Court execution of same, provided that the contract is executed by all parties to the contract. Contract documents shall consist of the contract, the General and Special Provisions, drawings, solicitation package (including best and final offer(s) if such is utilized), any addenda issued, and any change orders issued during the work. If

## GENERAL PROVISIONS

### INFORMATION TO BID GALVESTON COUNTY MUD # 12 EMERGENCY GENERATOR GALVESTON COUNTY, TEXAS

applicable to the attached Bid. Bidder must sign three (3) original contracts and return all three with their Bid submittal.

The Contractor shall procure all permits, licenses, certificates, or any such approvals of plans or specifications as may be required by federal, state, and local laws, ordinances, rules, and regulations, for the proper execution and completion of the work under the resultant agreement.

The Contractor is responsible for all damage or loss by fire, theft or otherwise, to materials, tools, equipment, and consumables, left on County property by the contractor.

The resultant agreement is considered a non-exclusive agreement between the parties.

The successful contractor hereby certifies that this agreement is made without prior understanding, agreement or connection with any corporation, firm or person who submitted bids for the Work covered by The resultant agreement and is in all respects fair and without collusion or fraud. As to Contractor, the successful contractor hereby warrants and certifies that he/she is authorized to enter into this agreement and to execute same on behalf of the Contractor as the act of the said Contractor.

The agreement, including the General and Special Conditions and all amendments or addenda issued by the county, contains all the terms and conditions agreed upon by the parties. No other agreements, oral or otherwise, regarding the subject matter of the resultant agreement shall be deemed to exist or to bind either party hereto.

*To satisfy cost reasonableness responsibilities at the time of any extension period, the County of Galveston reserves the right to obtain additional quotes and current pricing information from the successful contractor and other contractors to perform the work as stated per the specification listed herein and in the resultant. The solicited results may be used by the County to determine if the contract extensions will be considered, or other service options be utilized.*

#### 23. CONTRACT TERM

The term of the resultant contract will begin on the date of full execution or the execution by the Commissioners' Court, whichever is later, and will terminate on the date specified in the resultant contract unless terminated earlier as herein set forth.

#### 24. COLLATERAL CONTRACT

The County reserves the right to provide by separate contract or otherwise, in such manner as not to delay its programs or damage said Contractor, all labor and material essential to the completion of the work that is not included in this contract.

Award prices include all royalties and costs arising from patents, trademarks, and copyrights in any way involved in the work. Whenever the Awardee is required or desires to use any design, device, material or process covered by letters of patent or copyright, the Awardee shall indemnify and save harmless the County, its officers, agents and employees from any and all claims for infringement by reason of the use of any such patented design, tool, material, equipment, or process, to be performed under the contract, and shall indemnify the County its officers, agents, and employees for any costs, expenses and damages which may be incurred by reason of any infringement at any time during the prosecution or after the completion of the work.

## GENERAL PROVISIONS

### INFORMATION TO BID GALVESTON COUNTY MUD # 12 EMERGENCY GENERATOR GALVESTON COUNTY, TEXAS

#### 25. TERMINATION FOR DEFAULT

Failure of either party in the performance of any of the provisions of this contract shall constitute a breach of contract, in which case either party may require corrective action within ten (10) business days from date of receipt of written notice citing the exact nature of such breach. Failure of the party being notified to take corrective action within the prescribed ten (10) business days, or failure to provide written reply of why no breach has occurred, shall constitute a Default of Contract.

All notices relating to default by Bidder of the provisions of the contract shall be issued by the County through its Legal counsel, and all replies shall be made in writing to the County's legal counsel. Notices issued by or issued to anyone other than the County's legal counsel shall be null and void and shall be considered as not having been issued or received.

Galveston County reserves the right to enforce the performance of this contract in any manner prescribed by law in the event of breach or default of this contract, and may contract with another party, with or without solicitation of Bids or further negotiations. At a minimum, Bidder shall be required to pay any difference in service or materials, should it become necessary to contract with another source, plus reasonable administrative costs, and attorney fees.

In the event of Termination for Default, Galveston County, its agents, or representatives shall not be liable for loss of any profits anticipated to be made by Bidder.

In addition to the remedies stated herein, the County has the right to pursue other remedies permitted by law or in equity.

No waiver by either party of any event of default under this agreement shall operate as a waiver of any subsequent default under the terms of this agreement.

County reserves the right to terminate this contract immediately in the event Bidder:

- A. Fails to meet delivery or completion schedules; and/or
- B. Fails to otherwise perform in accordance with the accepted Bid and the contract.

#### 26. TERMINATION FOR CONVENIENCE

County may terminate this contract upon at least thirty (30) calendar days prior written notice for its convenience or for any reason deemed by the County to serve the public interest. As well, County may terminate this contract upon thirty (30) calendar days prior written notice for any reason resulting from any governmental law, order, ordinance, regulation, or court order. In no event shall County be liable for loss of any profits anticipated to be made hereunder by Bidder should this contract be terminated early.

#### 27. FORCE MAJEURE

If by reason of Force Majeure either Party shall be rendered unable, wholly or in part, to carry out its responsibilities under this contract by any occurrence by reason of Force Majeure, then the Party unable to carry out its responsibility shall give the other Party notice and full particulars of such Force Majeure in writing within a reasonable time after the occurrence of the event, and such notice shall suspend the Party's responsibility for the continuance of the Force Majeure claimed, but for no longer period.

## **GENERAL PROVISIONS**

### **INFORMATION TO BID GALVESTON COUNTY MUD # 12 EMERGENCY GENERATOR GALVESTON COUNTY, TEXAS**

Force Majeure means acts of God, floods, hurricanes, tropical storms, tornadoes, earthquakes, or other natural disasters, acts of a public enemy, acts of terrorism, sovereign conduct, riots, civil commotion, strikes or lockouts, and other causes that are not occasioned by either Party's conduct which by the exercise of due diligence the Party is unable to overcome, and which substantially interferes with operations.

#### **28. ESTIMATED QUANTITIES**

Any reference to quantities shown in the request for Bid is an estimate only. Since the exact quantities cannot be predetermined, the County reserves the right to adjust quantities as deemed necessary to meet its requirements.

#### **29. CONTRACTOR INVESTIGATION**

Before submitting a Bid, each Bidder shall make all investigations and examinations necessary to ascertain all site conditions and requirements affecting the full performance of the contract and to verify any representations made by the County upon which the contractor will rely. Bidder shall exercise due diligence and is further charged with knowledge of the local, State, and Federal laws, rules, and regulations applicable to this contract. If the Bidder receives an award as a result of its Bid submission in this procurement, the Bidder's failure to have made such investigations and examinations will in no way relieve the Bidder from its obligation to comply in every detail with all provisions and requirements of the contract, nor will a plea of ignorance of such conditions and requirements be accepted as a basis for any claim whatsoever by the contractor for additional compensation and/or for excused nonperformance.

#### **30. NO COMMITMENT BY COUNTY OF GALVESTON**

This request for procurement does not commit the County of Galveston to award any costs or pay any costs, or to award any contract, or to pay any costs associated with or incurred in the preparation of a Bid in response to this request for Bid and does not commit the County of Galveston to procure or contract for services or supplies.

#### **31. BID COSTS BORNE BY BIDDER**

Galveston County shall not be liable for any costs incurred by Bidder in preparation, production, or submission of a Bid, including but not limited to best and final offer if applicable. As well, Galveston County shall not be liable for any work performed by Bidder prior to issuance of fully executed contract and properly issued notice to proceed. Galveston County shall not be liable for any costs incurred by Bidder by reason of attending a pre-Bid conference. Galveston County shall not be liable for any costs incurred by Bidder by reason of the County invoking use of best and final offers.

#### **32. BEST AND FINAL OFFERS (BAFO)**

In acceptance of Bids, the County reserves the right to negotiate further with one or more of the Bidders as to any features of their Bids and to accept modifications of the work and price when such action will be in the best interest of the County. This includes, but is not limited to, the solicitation of a Best and Final Offer from one or more of the Bidders. If a Best and Final Offer is invoked, this allows acceptable Bidders the opportunity to amend, change, or supplement their original Bid. Bidders may be contacted in writing by the Purchasing Agent, requesting that they submit their Best and Final Offer. Any such Best and Final Offer must include discussed and negotiated changes.

## GENERAL PROVISIONS

### INFORMATION TO BID GALVESTON COUNTY MUD # 12 EMERGENCY GENERATOR GALVESTON COUNTY, TEXAS

#### 33. SINGLE BID RESPONSE

If only one Bid is received in response to the request for Bid, a detailed cost Bid may be requested of the single Bidder. A cost-price analysis and evaluation and/or audit may be performed of the cost Bid to determine if the price is fair and reasonable.

#### 34. CHANGES IN SPECIFICATIONS

If it becomes necessary to revise any part of this Bid, a written notice of such revision will be provided to all Bidders in the form of addenda. The County is not bound by any oral representations, clarifications, or changes made in the written specifications by the County's employees or officials, unless such clarification or change is provided to Bidders in a written addendum from the Purchasing Agent. Bidders are advised to inquire prior to the submission deadline as to whether any addenda to this request for Bid have been issued, as the successful Bidder will be required to abide by such addenda.

The County of Galveston reserves the right to revise or amend the specifications up to the time set for opening of Bids. Such revisions and amendments, if any, shall be announced by form of addenda. Copies of such addenda (or addendum in the event only one addendum is issued in the procurement) shall be furnished to all prospective contractors. Prospective contractors are defined as those contractors listed on the County's request for Bid list for this material/service or those who have obtained documents from the Purchasing Agent's Office subsequent to the advertisement. If revisions and amendments require changes in quantities or prices proposed, or both, the date set for opening of Bids may be postponed by such number of days as in the opinion of the County shall enable prospective contractors to revise their Bids. In any case, the Bid opening shall be at least seven (7) business days after the last revising or amendment addendum and the addendum shall include an announcement of the new date, if applicable, for the opening of Bids.

#### 35. BID IDEAS AND CONCEPTS

The County reserves to itself the right to adopt or use for its benefit, any concept, plan, or idea contained in any Bid.

#### 36. BID DISCLOSURES

While this procurement is pending, the names of those who submitted Bids will not be made public unless in conformity with the County Purchasing Act. Likewise, no pricing, staffing, or other contents of the Bid information will be released unless in conformity with the County Purchasing Act. Bidders are requested to withhold all inquiries regarding their Bid or other submissions until after an award is made. No communication is to be had with any County employee or official, other than the County Purchasing Agent, regarding whether a Bid was received - violations of this provision may result in the rejection of a Bid.

#### 37. INDEMNIFICATION

**The contractor agrees to assume all risks and responsibility for, and agrees to indemnify, defend, and save harmless, the County of Galveston, its elected and appointed officials and department heads, and its agents and employees from and against all claims, demands, suits, actions, recoveries, judgments, and costs and expenses including reasonable attorney's fees for the defense thereof, arising out of or in connection therewith on account of the loss of life, property or injury or damage to the person which shall arise from contractor's operations under this contract, its use of County facilities and/or equipment or from any other breach on the part of the contractor, its employees,**

## GENERAL PROVISIONS

### INFORMATION TO BID GALVESTON COUNTY MUD # 12 EMERGENCY GENERATOR GALVESTON COUNTY, TEXAS

agents or any person(s), in or about the County's facilities with the expressed or implied consent of the County. Contractor shall pay any judgment with cost which may be obtained against Galveston County resulting from contractor's operations under this contract.

Contractor agrees to indemnify and hold the County harmless from all claims of subcontractors, laborers incurred in the performance of this contract. Contractor shall furnish satisfactory evidence that all obligations of this nature herein above designated have been paid, discharged or waived. If Contractor fails to do so, then the County reserves the right to pay unpaid bills of which County has written notice direct and withhold from Contractor's unpaid compensation a sum of money reasonably sufficient to liquidate any and all such lawful claims.

#### 38. REQUIREMENT OF AND PROOF OF INSURANCE

The successful Bidder shall furnish evidence of insurance to the County Purchasing Agent and shall maintain such insurance as required hereunder or as may be required in the Special Provisions or resultant contract, if different. Contractor shall obtain and thereafter continuously maintain in full force and effect, Commercial General Liability insurance, including but not limited to bodily injury, property damage, and contractual liability, with combined single limits as listed below or as may be required by State or Federal law, whichever is greater.

- A. For damages arising out of bodily injury to or death of one person in any one accident:  
ONE HUNDRED THOUSAND AND NO/100 (\$100,000.00) DOLLARS.
- B. For damages arising out of bodily injury to or death of two or more persons in any one accident:  
THREE HUNDRED THOUSAND AND NO/100 (\$300,000.00) DOLLARS.
- C. For any injury to or destruction of property in any one accident:  
ONE HUNDRED THOUSAND AND NO/100 (\$100,000.00) DOLLARS.

**Insurance shall be placed with insurers having an A.M. Best's rating of no less than A.** Such insurance must be issued by a casualty company authorized to do business in the State of Texas, and in standard form approved by the Board of Insurance Commissioners of the State of Texas, with coverage provisions ensuring the public from loss or damage that may arise to any person or property by reason of services rendered by Contractor.

Galveston County shall be listed as the additional insured on policy certificates and shall be provided with no less than thirty (30) calendar days prior notice of any changes to the policy during the contractual period.

Certificates of Insurance, fully executed by a licensed representative of the insurance company written or countersigned by an authorized Texas state agency, shall be filed with the County Purchasing Agent within ten (10) business days of issuance of notification from the County Purchasing Agent to Bidder that the contract is being activated as written proof of such insurance and further provided that Bidder shall not commence work under this contract until it has obtained all insurance required herein, provided written proof as required herein, and received written notice to proceed issued from the County Purchasing Agent.

Proof of renewal/replacement coverage shall be provided prior to the expiration, termination, or cancellation date of any policy and Galveston County shall be named as an additional insured on any such renewal/replacement coverage and a certificate of insurance showing such shall be provided to the



## GENERAL PROVISIONS

### INFORMATION TO BID GALVESTON COUNTY MUD # 12 EMERGENCY GENERATOR GALVESTON COUNTY, TEXAS

Purchasing Agent. Said insurance shall not be cancelled, permitted to expire, or changed without at least thirty (30) days prior written notice to the County.

Insurance required herein shall be maintained in full force and effect during the life of this contract and shall be issued on an occurrence basis. Contractor shall require that any and all subcontractors that are not protected under the Contractor's own insurance policies take and maintain insurance of the same nature and in the same amounts as required of Contractor and provide written proof of such insurance to Contractor. Proof of renewed/replacement coverage shall be provided prior to the expiration, termination, or cancellation date of any policy. Contractor shall not allow any subcontractor to commence work on the subcontract until such insurance required for the subcontractor has been obtained and approved.

**Workers' Compensation Insurance:** Successful Bidder shall carry in full force Workers' Compensation Insurance Policy(ies), if there is more than one employee, for all its' employees, including but not limited to full time, part time, and emergency employees employed by the successful Bidder. Current insurance certificates certifying that such policies as specified above are in full force and effect shall be furnished by successful Bidder to the County.

Insurance is to be placed with insurers having a Best rating of no less than A. The Bidder shall furnish the County with certificates of insurance and original endorsements affecting coverage required by these insurance clauses within ten (10) business days of receiving notification from the County Purchasing Agent that the contract is being activated. The certificates and endorsements for each insurance policy are to be signed by a person authorized by the insurer to bind coverage on its behalf. The Bidder shall be required to submit annual renewals for the term of this contract prior to expiration of any policy.

In addition to the remedies stated herein, the County has the right to pursue other remedies permitted by law or in equity.

The County agrees to provide Bidder with reasonable and timely notice of any claim, demand, or cause of action made or brought against the County arising out of or related to utilization of the property. Bidder shall have the right to defend any such claim, demand, or cause of action at its sole cost and expense and within its sole and exclusive discretion. The County agrees not to compromise or settle any claim or cause of action arising out of or related to the utilization of the property without the prior written consent of the Bidder.

In no event shall the County be liable for any damage to or destruction of any property belonging to the Bidder.

**Subrogation Waiver.** Bidder and Bidder's insurance carrier waive any and all rights to subrogation against Galveston County in regard to any suit or claim arising out of personal injury or property damage resulting from Bidder's performance under this agreement.

#### 39. BID GUARANTEE

Unless specified differently within the Special Provisions of this procurement, each Bidder shall be required to submit a Bid guarantee with its Bid as required within this Section.

Evidencing its firm commitment to engage in contract if Bidder is selected for award of contract, each Bidder is required to furnish with their bid a cashier's check or an acceptable Bidder's bond (generally, a bid bond) in the amount of five percent (5%) of the total contract price. If Bidder is using a bond, then the

## GENERAL PROVISIONS

### INFORMATION TO BID GALVESTON COUNTY MUD # 12 EMERGENCY GENERATOR GALVESTON COUNTY, TEXAS

bond must be executed with a surety company authorized to do business in the State of Texas. Failure to furnish the Bid guarantee in the proper form and amount, by the time set for opening of Bids may be cause for rejection of the Bid.

The cashier's check or Bidder bond (as applicable) will be returned to each respective unsuccessful Bidder(s) after the Commissioners' Court award of contract and shall be returned to the successful Bidder upon the completion and submission of all contract documents. Provided however, that the cashier's check or Bidder bond will be forfeited to the County as liquidated damages should successful Bidder fail to execute the contract within thirty (30) days after receiving notice of the acceptance of its Bid.

#### **40. PERFORMANCE AND PAYMENT BONDS (if required)**

Successful Bidder, before beginning work, shall execute a performance bond and a payment bond, each of which must be in the amount of the contract. The required payment and performance bonds must each be executed by a corporate surety authorized to write surety bonds in the State of Texas and in accordance with Chapter 3503 of the Insurance Code (codified in 2005 and originally within Section 1, Chapter 87, Acts of the 56<sup>th</sup> Leg., R.S., 1959, and in Article 7.19-1, Vernon's Texas Insurance Code).

The performance and payment bonds must each clearly and prominently display on the bond or on an attachment to the bond:

- a.) The name, mailing address, physical address, and telephone number, including the area code, of the surety company to which any notice of claim should be sent; or
- b.) The toll-free telephone number maintained by the Texas Department of Insurance under Subchapter B, Chapter 521, Insurance Code, and a statement that the address of the surety company to which any notice of claim should be sent may be obtained from the Texas Department of Insurance by calling the toll free-telephone number.

The performance bond shall be solely for the protection of Galveston County, in the full amount of the contract, and conditioned on the faithful performance of the work in accordance with the plans, specifications, and contract documents. The payment bond is solely for the protection and use of payment bond beneficiaries who have a direct contractual relationship with the prime contractor or a subcontractor to supply labor or material, and in the amount of the contract.

The payment and performance bonds required to be furnished herein must be furnished before the contractor begins work and are a requirement for issuance of a Notice to Proceed. Such bonds must be furnished to the Galveston County Purchasing Agent within thirty (30) calendar days after the date of the full execution of the contract or, if applicable, as required under Chapter 2253, Government Code, whichever is earlier. Contractor's failure to provide the required payment and performance bonds within such time period shall constitute an event of default under this contract. Contractor shall not commence work until all applicable certificates of insurance, performance bonds, and payment bonds have been received and approved by the County Purchasing Agent and the Contractor receives notice to proceed in writing that has been issued by the County Purchasing Agent.

Additionally, if this request for Bid is for the award of a public works contract, then compliance with Chapter 2253 of the Texas Government Code, which is known as the McGregor Act, is mandatory. Performance and payment bonds are required to be furnished in accordance with Chapter 2253 of the Texas

## GENERAL PROVISIONS

### INFORMATION TO BID GALVESTON COUNTY MUD # 12 EMERGENCY GENERATOR GALVESTON COUNTY, TEXAS

Government Code. Bidder should familiarize itself with the entire provisions of Chapter 2253 of the Texas Government Code.

#### 41. PATENT AND COPYRIGHT PROTECTION

The Bidder agrees at its sole expense to protect the County from claims involving infringement of patents, copyright, trademark, trade secret, or other intellectual property rights. **Bidder shall indemnify and save harmless the County of Galveston, its officers, employees, and agents, from liability of any nature and kind whatsoever, including without limitation cost and expenses, for or on account of any copyrighted, trademarked, trade secret, patented or un-patented invention, process, or article manufactured or used in the performance of the contract, or other intellectual property rights, including its use by the County.** Bidder also agrees that if Bidder is awarded this contract, that no work performed hereunder shall be subject to patent, copyright, or other intellectual property by Bidder.

#### 42. CONFLICT OF INTEREST DISCLOSURE REPORTING (FORM CIQ)

Bidder may be required under Chapter 176 of the Texas Local Government Code to complete and file a Conflict-of-Interest Questionnaire (CIQ Form). The CIQ Form pertains to business relationship, gift giving and family relationship reporting. If Bidder is required to file a CIQ Form, then **the completed CIQ Form must be filed with the County Clerk of Galveston County, Texas.**

**Business relationship.** If Bidder has an employment or other business relationship with a local government officer of Galveston County or with a family member of a local government officer of Galveston County that results in the officer or family member of the officer receiving taxable income that exceeds \$2,500.00 during the preceding 12-month period, then Bidder **MUST** complete a CIQ Form and file the original of the CIQ Form with the County Clerk of Galveston County.

**Gift-giving.** If Bidder has given a local government officer of Galveston County or a family member of a local government officer of Galveston County one or more gifts with an aggregate value of more than one-hundred dollars (\$100.00) during the preceding 12-months, then Bidder **MUST** complete a CIQ Form and file the original of the CIQ Form with the County Clerk of Galveston County.

**Family member.** For purposes of the business relationship and gift giving reporting requirements, a "family member" means a person related to another person with the first degree of consanguinity or affinity, as described by Subchapter B, Chapter 573, Texas Government Code. Examples of persons within the first degree by consanguinity or affinity include a son, daughter, father, mother, spouse, son-in-law, daughter-in-law, father-in-law, mother-in-law, stepson, stepdaughter, stepmother, and stepfather.

**Family relationship.** If Bidder has a "family relationship" with a local government officer of Galveston County then Bidder **MUST** complete a CIQ Form and file the original of the CIQ Form with the County Clerk of Galveston County, regardless of whether Bidder has a business relationship or has given gifts to the local government officer or a family member of the local government officer. For this purpose, "family relationship" means Bidder is related within the third degree by consanguinity or the second degree by affinity, as those terms are defined under Chapter 573 of the Texas Government Code, to a local government officer of Galveston County. Examples of such relationships include a son, daughter, mother, father, brother, sister, grandchild, great-grandchild, grandparent, great-grandparent, niece, nephew, uncle, aunt, spouse, mother-in-law, father-in-law, daughter-in-law, son-in-law, spouse's grandchild, spouse's grandparent, grandparent's spouse, grandchild's spouse, stepson, stepdaughter, stepmother, and stepfather.

## GENERAL PROVISIONS

### INFORMATION TO BID GALVESTON COUNTY MUD # 12 EMERGENCY GENERATOR GALVESTON COUNTY, TEXAS

Bidder must file its original CIQ Form with the Galveston County Clerk. The Galveston County Clerk has offices at the following locations:

**Galveston County Clerk**  
Galveston County Justice Center, Suite 2001  
600 59<sup>th</sup> Street  
Galveston, Texas 77551

**Galveston County Clerk**  
North County Annex, 1<sup>st</sup> Floor  
174 Calder Road  
League City, Texas 77573

Again, if Bidder is required to file a CIQ Form, the original completed form is filed with the Galveston County Clerk (**not the Purchasing Agent**).

For Bidder's convenience, a blank CIQ Form is enclosed with this Bid package. Blank CIQ Form(s) may also be obtained by visiting the Purchasing Agent's website. This website is linked from the Galveston County homepage, at <http://www.galvestoncountytexas.gov>.

Chapter 176 specifies deadlines for the filing of CIQ Forms (both initial filings and updated filings).

It is Bidder's sole responsibility to file a true and complete CIQ Form with the Galveston County Clerk if Bidder is required to file by the requirements of Chapter 176 of the Local Government Code. Bidder is advised that it is an offense to fail to comply with the disclosure reporting requirements dictated under Chapter 176 of the Texas Local Government Code, and the failure to file may be grounds to void the contract, if Bidder is awarded a contract.

If Bidder has any questions about compliance with Chapter 176, Bidder may wish to consult its' legal counsel. Compliance is the individual responsibility of each person, business, and agent who is subject to Chapter 176 of the Texas Local Government Code.

#### 43. DISCLOSURE OF INTERESTED PARTIES/FORM 1295

Under Section 2252.908 of the Government Code, any business entity that enters into a contract with Galveston County that requires the approval of the Commissioners' Court must submit a "Disclosure of Interested Parties" to the County prior to the execution of the contract. This form, the "Disclosure of Interested Parties" form was promulgated by the Texas Ethics Commission and is the "Form 1295". **This procurement is subject to these requirements.**

The Texas Ethics Commission was charged with promulgating rules to implement Section 2252.908 of the Government Code. The rules adopted by the Texas Ethics Commission are located at Sections 46.1, 46.3, and 46.5 of Title 1 of the Texas Administrative Code. Thus, the law covering these requirements is located at Section 2252.908 of the Government Code, and in Title 1, Sections 46.1, 46.3, and 46.5 of the Texas Administrative Code.

The Texas Ethics Commission's website is: [www.ethics.state.tx.us](http://www.ethics.state.tx.us). The area of the Texas Ethics Commission website pertaining to Form 1295 is:

## GENERAL PROVISIONS

### INFORMATION TO BID GALVESTON COUNTY MUD # 12 EMERGENCY GENERATOR GALVESTON COUNTY, TEXAS

[www.ethics.state.tx.us/whatsnew/elf\\_info\\_form1295.htm](http://www.ethics.state.tx.us/whatsnew/elf_info_form1295.htm).

**Form 1295 must be completed electronically through the Texas Ethics Commission website** (handwritten forms are not allowable). Once the business entity has completed their electronic filing of Form 1295, then the business entity must print out the electronically completed form, and sign and notarize the Form 1295. Once Form 1295 is signed and notarized, the business entity must submit their completed, signed, and notarized Form 1295 to the Galveston County Purchasing Agent.

**Successful Bidder is and shall be subject to these requirements, and no resultant contract may be executed by the Commissioners' Court until the completed, signed, and notarized Form 1295 is on file with the County Purchasing Agent.**

**No portion of the Form 1295 process commits the County to any type of award of contract whatsoever.**

After the Purchasing Agent's Office receives the completed, signed, and notarized Form 1295, the Purchasing Department representative will, within 30 days, go to the Texas Ethics Commission website to submit electronic confirmation of the County's receipt of the completed, signed, and notarized Form 1295.

**44. CERTIFICATION REGARDING DEBARMENT, SUSPENSION, PROPOSED DEBARMENT, AND OTHER RESPONSIBILITY MATTERS & REQUIREMENT TO REGISTER IN SAM**

Bidder certifies that neither it, nor any of its Principals, are presently debarred, suspended, proposed for debarment, disqualified, excluded, or in any way declared ineligible for the award of contracts by any Federal agency. Contractor agrees that it shall refund Galveston County for any payments made to Contractor while ineligible. Contractor acknowledges that Contractor's uncured failure to perform under this Agreement, if such should occur, may result in Contractor being debarred from performing additional work for the County, the respecting State Agency administering the grant funding the contract, if applicable, the State, FEMA, or HUD (as applicable), and other Federal and State entities. Further, Bidder has executed the Certification Regarding Debarment, Suspension, Proposed Debarment, and Other Responsibility Matters and returned the fully completed and executed original certification with the submission of its Bid.

**The truthful and fully completed and executed original of the Certification Regarding Debarment, Suspension, Proposed Debarment, and Other Responsibility Matters must be included with the submission of Bidder's Bid and is a mandatory requirement of this request for Bid. Bidder's failure to include the fully completed and executed original of this Certification shall be considered non-compliance with the requirements of this request for Bid and grounds for the rejection of Bidder's Bid.**

Bidder shall immediately notify the County Purchasing Agent if it becomes debarred or suspended, placed on the Consolidated List of Debarred Contractors, or in any other way becomes ineligible for award of contract by any Federal agency. This Certification is a material fact relied upon by Galveston County; if it is later determined that the contractor did not comply with 2 C.F.R. Part 180 and 2 C.F.R. Part 3000, in addition to the remedies available to Galveston County and the State agency administering this grant, the Federal Government may pursue available remedies, including but not limited to suspension and/or debarment of contractor.

## GENERAL PROVISIONS

### INFORMATION TO BID GALVESTON COUNTY MUD # 12 EMERGENCY GENERATOR GALVESTON COUNTY, TEXAS

If the contract to be awarded pursuant to this procurement involves the use of Federal funds, then Bidder must also be registered in the Federal Contractor Registry through the System for Award Management (SAM) to be eligible for award of contract pursuant to this procurement.

Information regarding the SAM is available at:

<http://www.federalcontractorregistry.com/?gclid=CIG1hf2rr8wCFYkCaQoducANZw> or at  
<https://www.sam.gov/portal/SAM/#1>.

No contract involving the use of Federal funds may be awarded to any Bidder unless and until such registration is current and in good standing under SAM. If this contract involves the use of Federal funds, then Bidder must enclose proof of such SAM registration within its response, which is also a mandatory requirement of this procurement. Failure to enclose such proof shall be considered non-compliance with the requirements of this procurement and grounds for the rejection of Bidder's response to this procurement (i.e., bid, Bid, or qualifications statement, as applicable).

#### 45. TRANSACTIONS WITH TERRORIST ORGANIZATIONS PROHIBITED

(Texas Government Code 2252.151; 2252.152) Prohibition on contracts with certain companies per Government Code 2252.151 Definitions:

(1) **"Company"** has the meaning assigned by Section 806.001.

(2) **"Foreign terrorist organization"** means an organization designated as a foreign terrorist organization by the United States secretary of state as authorized by 8 U.S.C. Section 1189.

(3) **"Governmental contract"** means a contract awarded by a governmental entity for general construction, an improvement, a service, or a public works project for a purchase of supplies, materials, or equipment. The term includes a contract to obtain a professional or consulting service subject to Government Code, Chapter 2254.

(4) **"Governmental entity"** has the meaning assigned by Government Code, Section 2252.001.

Pursuant to Chapter 2252, Texas Government Code, Contractor shall certify that, at the time of execution of this Contract, neither the Contractor, nor any wholly owned subsidiary, majority-owned subsidiary, parent company or affiliate of the same (1) engages in business with Iran, Sudan, or any foreign terrorist organization as described in Chapters 806 or 807 of the Texas Government Code, or Subchapter F of Chapter 2252 of the Texas Government Code, or (2) is a company listed by the Texas Comptroller of Public Accounts under Sections 806.051, 807.051, or 2252.153 of the Texas Government Code.

#### 46. VERIFICATION NOT TO BOYCOTT ISRAEL

Prohibition on contracts with companies boycotting Israel per Government Code 2271.001 Definitions:

(1) **"Boycott Israel"** has the meaning assigned by Section 808.001.

(2) **"Company"** has the meaning assigned by Section 808.001; except that the term does not include a sole proprietorship.

## GENERAL PROVISIONS

### INFORMATION TO BID GALVESTON COUNTY MUD # 12 EMERGENCY GENERATOR GALVESTON COUNTY, TEXAS

(2) "**Governmental entity**" has the meaning assigned by Government Code, Section 2251.001.

PROVISION REQUIRED IN CONTRACT. (a) This section applies only to a contract that:

(1) is between a governmental entity and a company with 10 or more full-time employees; and

(2) has a value of \$100,000 or more that is to be paid wholly or partly from public funds of the governmental entity.

(b) A governmental entity may not enter into a contract with a company for goods or services unless the contract contains a written verification from the company that it:

(1) does not boycott Israel; and

(2) will not boycott Israel during the term of the contract.

As required by GOVERNMENT CODE, CHAPTER 2271, **CONTRACTOR hereby verifies that it does not boycott Israel and will not boycott Israel throughout the term of this Agreement.** For the purposes of this verification, "Boycott Israel" means refusing to deal with, terminating business activities, or otherwise taking any action that is intended to penalize, inflict economic harm on, or limit commercial relations specifically with Israel, or a person or entity doing business in Israel or in an Israeli-controlled territory, but does not include an action made for ordinary business purposes.

#### 47. SOVEREIGN IMMUNITY

The County specifically reserves any claim it may have to sovereign, qualified, or official immunity as a defense to any action arising in conjunction with this contract.

#### 48. CONTROLLING LAW AND VENUE

Bidder acknowledges and agrees that the contract is and shall be governed and construed by the laws of the State of Texas and that venue shall lie exclusively in a court of competent jurisdiction in Galveston County, Texas.

#### 49. MERGERS, ACQUISITIONS

The Bidder shall be required to notify the County of any potential for merger or acquisition of which there is knowledge at the time that a Bid is submitted.

If subsequent to the award of any contract resulting from this request for Bid the Bidder shall merge or be acquired by another firm, the following documents must be submitted to the County:

- A. Corporate resolutions prepared by the awarded Bidder and the new entity ratifying acceptance of the original contract, terms, conditions and prices;
- B. New entity's Federal Identification Number (FEIN);
- C. New entity's proposed operating plans;
- D. New entity's proof of registration in SAM for contracts involving Federal funds;
- E. New entity's certification regarding debarment;
- F. New entity's certification regarding lobbying; and
- G. W-9 Form for new entity

## GENERAL PROVISIONS

### INFORMATION TO BID GALVESTON COUNTY MUD # 12 EMERGENCY GENERATOR GALVESTON COUNTY, TEXAS

Moreover, Bidder is required to provide the County with notice of any anticipated merger or acquisition as soon as Bidder has actual knowledge of the anticipated merger or acquisition. The New Bidder's proposed plan of operation must be submitted prior to merger to allow time for submission of such plan to the Commissioners' Court for its approval.

#### 50. DELAYS

The County reserves the right to delay the scheduled commencement date of the contract if it is to the advantage of the County. There shall be no additional costs attributed to these delays should any occur. Bidder agrees it will make no claims for damages, for damages for lost revenues, for damages caused by breach of contract with third parties, or any other claim by Bidder attributed to these delays, should any occur. In addition, Bidder agrees that any contract it enters into with any third party in anticipation of the commencement of the contract will contain a statement that the third party will similarly make no claim for damages based on delay of the scheduled commencement date of the contract.

#### 51. ACCURACY OF DATA

Information and data provided through this request for Bid are believed to be reasonably accurate.

#### 52. SUBCONTRACTING/ASSIGNMENT

Bidder shall not assign, sell, or otherwise transfer its contract in whole or in part without prior written permission of the County acting by and through its Commissioners' Court. Such consent, if granted, shall not relieve the Bidder of any of its responsibilities under this contract.

#### 53. INDEPENDENT CONTRACTOR

Bidder expressly acknowledges that it is an independent contractor. Nothing in this agreement is intended nor shall be construed to create an agency relationship, an employer/employee relationship, a joint venture relationship, or any other relationship allowing County to exercise control or direction over the manner or method by which Bidder or Bidder's subcontractors perform in providing the requirements stated in the request for Bid.

#### 54. MONITORING PERFORMANCE

The County shall have the unfettered right to monitor and audit the Bidder's work in every respect. In this regard, the Bidder shall provide its full cooperation and ensure the cooperation of its employees, agents, assigns, and subcontractors. Further, the Bidder shall make available for inspection and/or copying when requested, original data, records, and accounts relating to the Bidder's work and performance under this contract. In the event any such material is not held by the Bidder in its original form, a true copy shall be provided.

#### 55. SUBJECT TO APPROPRIATION OF FUNDS

State law prohibits the obligation and expenditure of public funds beyond the fiscal year for which a budget has been approved by the Commissioners' Court. Galveston County anticipates this to be an integral part of future budgets to be approved during the periods of this contract, except for unanticipated needs or events which may prevent such payments against this contract. However, Galveston County cannot guarantee the availability of



## GENERAL PROVISIONS

### INFORMATION TO BID GALVESTON COUNTY MUD # 12 EMERGENCY GENERATOR GALVESTON COUNTY, TEXAS

funds, and enters into this contract only to the extent such funds are made available through appropriation (allocation) by the Commissioners' Court. This contract shall not be construed as creating any debt on behalf of the County of Galveston in violation of TEX. CONST. art. XI, § 7, and it is understood that all obligations of Galveston County are subject to the availability of funds.

#### 56. CONTRACTS SUBJECT TO GRANT FUNDING

Notwithstanding the foregoing, if the contract to be awarded by this procurement is funded with Federal or State grant funds, the Bidder acknowledges that the obligations of the County under the contract are contingent upon the continued availability of grant funding to meet the County's obligations. If the grant(s) to the County is reduced, de-obligated, or otherwise discontinued or terminated, Contractor agrees that the County may immediately terminate the contract without penalty or any liability whatsoever on the part of the County, the State, or the Federal awarding agency.

#### 57. PROCUREMENT ETHICS

Galveston County is committed to the highest ethical standards. Therefore, it is a serious breach of the public trust to subvert the public purchasing process by directing purchases to certain favored vendors, or to tamper with the competitive bidding process, whether it's done for kickbacks, friendship or any other reason. Since misuse of the purchasing power of a local government carries criminal penalties, and many such misuses are from a lack of clear guidelines about what constitutes an abuse of office, the Code of Ethics outlined below must be strictly followed.

Galveston County also requires ethical conduct from those who do business with the County.

#### **CODE OF ETHICS – Statement of Purchasing Policy:**

Public employment is a public trust. It is the policy of Galveston County to promote and balance the objective of protecting the County's integrity and the objective of facilitating the recruitment and retention of personnel needed by Galveston County. Such policy is implemented by prescribing essential standards of ethical conduct without creating unnecessary obstacles to entering public office.

Public employees must discharge their duties impartially so as to assure fair competitive access to governmental procurement by responsible contractors. Moreover, they should conduct themselves in such a manner as to foster public confidence in the integrity of the Galveston County procurement organization.

To achieve the purpose of this Article, it is essential that those doing business with Galveston County also observe the ethical standards prescribed herein.

#### **General Ethical Standards:**

It shall be a breach of ethics to attempt to realize personal gain through public employment with Galveston County by any conduct inconsistent with the proper discharge of the employee's duties.

It shall be a breach of ethics to attempt to influence any public employee of Galveston County to breach the standards of ethical conduct set forth in this code.

It shall be a breach of ethics for any employee of Galveston County to participate directly or indirectly in a procurement when the employee knows that:

## GENERAL PROVISIONS

### INFORMATION TO BID GALVESTON COUNTY MUD # 12 EMERGENCY GENERATOR GALVESTON COUNTY, TEXAS

- The employee or any member of the employee's family, has a financial interest pertaining to the procurement;
- A business or organization in which the employee or any member of the employee's family, has a financial interest pertaining to the procurement; or
- Any other person, business, or organization with which the employee or any member of the employee's family is negotiating or has an arrangement concerning prospective employment is involved in the procurement.

#### **Gratuities:**

It shall be a breach of ethics for any person to offer, give, or agree to give any employee or former employee of Galveston County, or for any employee or former employee of Galveston County to solicit, demand, accept or agree to accept from another person, a gratuity or an offer of employment in connection with any decision, approval, disapproval, recommendation, preparation of any part of a program requirement or a purchase request, influencing the content of any specification or procurement standard, rendering of advice, investigation, auditing, or in any other advisory capacity in any proceeding or application, request for ruling, determination, claim or controversy, or other particular matter, pertaining to any program requirement or a contract or subcontract, or to any solicitation or bid pending before this government.

#### **Kickbacks:**

It shall be a breach of ethics for any payment, gratuity or offer of employment to be made by or on behalf of a subcontractor under a contract to the prime contractor or higher tier subcontractor for any contract for Galveston County, or to any person associated therewith, as an inducement for the award of a contract, subcontract or order.

#### **Contract Clause:**

The prohibition against gratuities and kickbacks prescribed above shall be conspicuously set forth in every contract and solicitation by Galveston County.

#### **Confidential Information:**

It shall be a breach of ethics for any employee or former employee of Galveston County to knowingly use confidential information for actual or anticipated personal gain, or for the actual or anticipated gain of any other person.

#### **Prohibition against Contingent Fees:**

It shall be a breach of ethical standards for a person to be retained, or to retain a person, to solicit or secure a Galveston County contract upon an agreement or understanding for a commission, percentage, brokerage, or contingent fee, except for retention of bona fide employees or bona fide established commercial selling agencies for the purpose of securing business. Failure to abide by this section constitutes a breach of ethical standards.

#### **Representation:**

Bidder represents and warrants, by signing and submitting its Bid, that it has not retained anyone in violation of this section prohibiting contingent fees.

#### **Contract Clause:**

The representation prescribed above shall be conspicuously set forth in every contract and solicitation thereof.

## GENERAL PROVISIONS

### INFORMATION TO BID GALVESTON COUNTY MUD # 12 EMERGENCY GENERATOR GALVESTON COUNTY, TEXAS

#### 58. NON-COLLUSION AFFIDAVIT

Bidder certifies, by signing and submitting a Bid, that the Bid is not made in the interest of, or on behalf of, any undisclosed person, partnership, company, association, organization, or corporation; that the Bid is genuine and not collusive or sham; that the contractor has not directly or indirectly induced or solicited another contractor to put in a false or sham Bid, and has not directly or indirectly colluded, conspired, connived, or agreed with any contractor or anyone else to put in a sham Bid or that anyone shall refrain from bidding; that the contractor has not in any manner, directly or indirectly, sought by agreement, communications, or conference with anyone to fix the bid price of the contractor or any other Bidder, or to fix any overhead, profit or cost element of the Bid price, or that of any other contractor, or to secure any advantage against the public body awarding the contract or anyone interested in the proposed contract; that all statements contained in the Bid are true; and further, that the contractor has not, directly or indirectly, submitted his or her Bid price or any breakdown thereof, or the contents thereof, or divulged information or data relative thereto, or paid, and will not pay, any fee to any cooperation, partnership, company, association, organization, bid depository, or to any member or agent thereof to effectuate a collusive or sham Bid.

**A blank Non-Collusion Affidavit is included with this Bid packet. Bidder must enclose a truthful and fully executed original Non-Collusion Affidavit with the submission of its Bid. This is a mandatory requirement of this request for Bid. Failure to include the truthfully and fully executed Non-Collusion Affidavit in the submission of its Bid shall be considered non-compliance with the requirements of this request for Bid by the Bidder and grounds for the rejection of Bidder's submission.**

No negotiations, decisions, or actions shall be initiated by any company as a result of any verbal discussion with any County employee prior to the opening of responses to this request for Bid.

No officer or employee of the County of Galveston, and no other public or elected official, or employee, who may exercise any function or responsibilities in the review or approval of this undertaking shall have any personal or financial interest, direct or indirect, in any contract or negotiation process thereof. The above compliance request will be part of all County of Galveston contracts for this service.

#### 59. CERTIFICATION REGARDING LOBBYING – COMPLIANT WITH APPENDIX A TO 24 C.F.R. PART 871

Bidder certifies that, to the best of his or her knowledge and belief, that:

- a. No Federal appropriated funds have been paid or will be paid, by or on behalf of the bidder, to any person for influencing or attempting to influence a department or employee of an agency, a member of Congress, or an employee of a member of Congress in connection with the awarding of any Federal contract, the making of any Federal grant, the making of any Federal loan, the entering into of any cooperative agreement, and the extension, continuation, renewal, amendment, or modification of any Federal contract, grant, loan or cooperative agreement.
- b. If any funds other than federal appropriated funds have been paid or will be paid to any person for influencing or attempting to influence a department or employee of any agency, a member of Congress, a department or employee of congress, or an employee of a member of Congress in connection with this

## GENERAL PROVISIONS

### INFORMATION TO BID GALVESTON COUNTY MUD # 12 EMERGENCY GENERATOR GALVESTON COUNTY, TEXAS

federal contract, grant, loan, or cooperative agreement, **the bidder shall complete and submit Standard Form LLL, "Disclosure Form to Report Lobbying", in accordance with its instructions.**

- c. Bidder shall require that the language of this certification be included in the award documents for all sub-awards at all tiers (including subcontracts, sub-grants, and contracts under grants, loans, and cooperative agreements) and that all sub-recipients shall certify and disclose accordingly.

This certification is a material representation of fact upon which reliance was placed when this transaction was made or entered into. Submission of the certification is a prerequisite for making or entering into a contract with Bidder and is imposed by Section 1352, Title 31, United States Code. Further, any person who fails to file the required certification shall be subject to a civil penalty of not less than \$10,000 and not more than \$100,000 for each such failure.

**The truthful and fully completed and executed original of the Certification Regarding Lobbying (included with bid packet) must be included with the submission of Bidder's Bid and is a mandatory requirement of this request for Bid. Bidder's failure to include the fully completed and executed or original of this Certification shall be considered non-compliant with the requirements of this request for Bid and grounds for the rejection of the Bidder's Bid.**

#### 60. NON-DISCRIMINATION

- a. **Equal Employment Opportunity:** Bidder will not discriminate against any employee or applicant for employment because of race, color, religion, national origin, sex, disability, genetic information or veteran status. Bidder will take affirmative action to ensure that applicants are employed, and that employees are treated during employment, without regard to their race, color, religion, national origin, sex, disability, genetic information or veteran status. Such action shall include, but not be limited to, the following: employment; upgrading; demotion or transfer; recruitment or recruitment advertising; layoff or termination; rates of pay or other forms of compensation; and selection for training, including apprenticeship. Bidder agrees to post in conspicuous places, available to employees and applicants for employment, notices of employment.

Bidder will, in all solicitation or advertisements for employees placed by or on behalf of Bidder, state that all qualified applicants will receive consideration for employment without regard to race, color, religion, national origin, sex, disability, genetic information, or veteran status.

Bidder will cause the foregoing provisions to be inserted in all subcontracts for any work covered by this Agreement so that such provisions will be binding upon each subcontractor, provided that the foregoing provisions shall not apply to contracts or subcontracts for standard commercial supplies or raw materials.

Bidder will include the provisions herein in every subcontract or purchase order unless exempted.

- b. **Drug Free Work Place Act:** Bidder shall comply with all applicable requirements of the Drug-Free Workplace Act of 1988 (Public Law 100-690, Title V, Subtitle D; 41 U.S.C. § 8102, et seq.) and implementing regulations thereunder.
- c. **Americans with Disabilities Act:** Bidder shall comply with all applicable provisions of the Americans with Disabilities Act of 1990 (Public Law 101-136) and implementing regulations thereunder.

## GENERAL PROVISIONS

### INFORMATION TO BID GALVESTON COUNTY MUD # 12 EMERGENCY GENERATOR GALVESTON COUNTY, TEXAS

- d. OSHA Regulations: Bidder agrees to maintain and to display any applicable materials for its employees in accordance with OSHA regulations.
- e. Compliance with Immigration Laws and Use of E-Verify: Bidder agrees to comply with all requirements of the U.S. Immigration Reform and Control Act of 1986, as amended, and any implementing regulations thereto. Bidder further agrees to utilize the E-Verify system through the Department of Homeland Security on its employees. Bidder shall not employ unauthorized aliens and shall not assign services to be performed to any supplier or subcontractor who are unauthorized aliens. If any personnel performing any services hereunder are discovered to be an unauthorized alien, then Bidder will immediately remove such personnel from performing services hereunder and shall replace such personnel with personnel who are not unauthorized alien(s).
- f. State and Federal Law Compliance: Bidder agrees to comply with all other State and Federal laws and regulations applicable to the provision of services under this contract.
- g. The Contractor shall comply with the Age Discrimination Act of 1975 which provides that no person in the United States shall on the basis of age be excluded from participation in, be denied the benefits of, or be subjected to discrimination under any program or activity receiving federal financial assistance.

#### 61. RECORD RETENTION AND RIGHT TO AUDIT

Bidder shall keep and maintain all records associated with this contract for a minimum of five (5) years from the close of the contract or as required by Federal or State law or regulation, whichever period is longer. If awarded this contract, Bidder shall allow the County reasonable access to the records in Bidder's possession, custody, or control that the County deems necessary to assist it in auditing the services, costs, and payments provided hereunder. If this contract involves the use of Federal or State funds, then Bidder shall also allow reasonable access to representatives of the Office of Inspector General, the General Accounting Office, the State Auditor's Office, and the other Federal and/or State agencies overseeing the funds that such entities deem necessary to facilitate review by such agencies and Bidder shall maintain fiscal records and supporting documentation for all expenditures in a manner that conforms with OMB Circular A-87 (relocated to 2 C.F.R. Part 225) and this contract.

#### 62. TITLE VI ASSURANCES/TxDOT

The County is subject to Title VI of the Civil Rights Act of 1964 and the Federal and State laws and regulations of the United States Department of Transportation and Texas Department of Transportation (TxDOT). Pursuant to these requirements, the County must have its contractors provide required assurances on compliance with non-discrimination by itself and its subcontractors. The Title VI Assurances within this Subsection are not exhaustive – whenever any Federal, State, or Local requirement requires additional clauses, this list shall not be construed as limiting. Contractor agrees as follows:

- (1) **Compliance with Regulations:** The Contractor shall comply with the Regulations relative to nondiscrimination in Federally assisted programs of the Department of Transportation (hereinafter, DOT) Title 49, Code of Federal Regulations, Part 21, as they may be amended from time to time (hereinafter referred to as the Regulations), which are incorporated herein by reference and made a part of this contract.

## GENERAL PROVISIONS

### INFORMATION TO BID GALVESTON COUNTY MUD # 12 EMERGENCY GENERATOR GALVESTON COUNTY, TEXAS

- (2) **Non-discrimination:** The Contractor, with regard to the work performed by it during the contract, shall not discriminate on the basis of race, color, national origin, religion, sex, age, disability or Veteran status in the selection and retention of subcontractors, including procurements of materials and leases of equipment. The Contractor shall not participate either directly or indirectly in the discrimination prohibited by Section 21.5 of the Regulations, including employment practices when the contract covers a program set forth in Appendix B of the Regulations.
- (3) **Solicitations for Subcontractors, Including Procurement of Materials and Equipment:** In all solicitations either by competitive bidding or negotiation made by the Contractor for work to be performed under a subcontract, including procurement of materials or leases of equipment, each potential subcontractor or supplier shall be notified by the Contractor of the Contractor's obligations under this contract and the Regulations relative to nondiscrimination on the grounds of race, color, national origin, religion, sex, age, disability or Veteran status.
- (4) **Information and Reports:** The Contractor shall provide all information and reports required by the Regulations or directives issued pursuant thereto, and shall permit access to its books, records, accounts, other sources of information and its facilities as may be determined by the Galveston County or the Texas Department of Transportation to be pertinent to ascertain compliance with such Regulations, orders and instructions. Where any information required of the Contractor is in the exclusive possession of another who fails or refuses to furnish this information the Contractor shall so certify to Galveston County or the Texas Department of Transportation as appropriate and shall set forth what efforts it has made to obtain the information.
- (5) **Sanctions for Non-compliance:** In the event of the Contractor's noncompliance with the nondiscrimination provisions of this contract, Galveston County shall impose such contract sanctions as it or the Texas Department of Transportation may determine to be appropriate, including, but not limited to:
- (a) withholding of payments to the Contractor under the contract until the Contractor complies, and/or;
  - (b) cancellation, termination, or suspension of the contract, in whole or in part.
- (6) **Incorporation of Provisions.** The Contractor shall include the provisions of paragraphs (1) through (6) in every subcontract, including procurement of materials and leases of equipment, unless exempt by the Regulations, or directives issued pursuant thereto. The Contractor shall take such action with respect to any subcontract or procurement as Galveston County or the Texas Department of Transportation may direct as a means of enforcing such provisions including sanctions for non-compliance: Provided, however, that, in the event Contractor becomes involved in, or is threatened with, litigation with a subcontractor or supplier as a result of such direction, the Contractor may request Galveston County to enter into such litigation to protect the interests of Galveston County, and, in addition, the Contractor may request the United States to enter into such litigation to protect the interests of the United States.

#### 63. ASSURANCES FOR CONSTRUCTION PROGRAMS - TEXAS GENERAL LAND OFFICE (GLO)

The County is subject to Federal and State laws and regulations of the United States and The Texas General Land Office (GLO). Pursuant to these requirements, the County must have its contractors provide required assurances on compliance with non-discrimination by itself and its subcontractors. These Assurances within

## GENERAL PROVISIONS

### INFORMATION TO BID GALVESTON COUNTY MUD # 12 EMERGENCY GENERATOR GALVESTON COUNTY, TEXAS

this Subsection are not exhaustive -- whenever any Federal, State, or Local requirement requires additional clauses, this list shall not be construed as limiting. Contractor agrees as follows:

- (1) Will comply with the Intergovernmental Personnel Act of 1970 (42 U.S.C. §§4728-4763) relating to prescribed standards for merit systems for programs funded under one of the 19 statutes or regulations specified in Appendix A of OPM's Standards for a Merit System of Personnel Administration (5 C.F.R. 900, Subpart F).
- (2) Will comply with the Lead-Based Paint Poisoning Prevention Act (42 U.S.C. §§4801 et seq.) which prohibits the use of lead-based paint in construction or rehabilitation of residence structures.
- (3) Will comply with all Federal statutes relating to non-discrimination. These include but are not limited to: (a) Title VI of the Civil Rights Act of 1964 (P.L. 88-352) which prohibits discrimination on the basis of race, color or national origin; (b) Title IX of the Education Amendments of 1972, as amended (20 U.S.C. §§1681-1683, and 1685-1686), which prohibits discrimination on the basis of sex; (c) Section 504 of the Rehabilitation Act of 1973, as amended (29 U.S.C. §794), which prohibits discrimination on the basis of handicaps; (d) the Age Discrimination Act of 1975, as amended (42 U.S.C. §§6101-6107), which prohibits discrimination on the basis of age; (e) the Drug Abuse Office and Treatment Act of 1972 (P.L. 92-255), as amended, relating to nondiscrimination on the basis of drug abuse; (f) the Comprehensive Alcohol Abuse and Alcoholism Prevention, Treatment and Rehabilitation Act of 1970 (P.L. 91-616), as amended, relating to nondiscrimination on the basis of alcohol abuse or alcoholism; (g) §§523 and 527 of the Public Health Service Act of 1912 (42 U.S.C. §§290 dd-3 and 290 ee-3), as amended, relating to confidentiality of alcohol and drug abuse patient records; (h) Title VIII of the Civil Rights Act of 1968 (42 U.S.C. §§3601 et seq.), as amended, relating to nondiscrimination in the sale, rental or financing of housing; (i) any other non-discrimination provisions in the specific statute(s) under which application for Federal assistance is being made; and (j) the requirements of any other nondiscrimination statute(s) which may apply to the application.
- (4) Will comply with the Intergovernmental Personnel Act of 1970 (42 U.S.C. §§4728-4763) relating to prescribed standards for merit systems for programs funded under one of the 19 statutes or regulations specified in Appendix A of OPM's Standards for a Merit System of Personnel Administration (5 C.F.R. 900, Subpart F).
- (5) Will comply with the Lead-Based Paint Poisoning Prevention Act (42 U.S.C. §§4801 et seq.) which prohibits the use of lead-based paint in construction or rehabilitation of residence structures.
- (6) Will comply with all Federal statutes relating to non-discrimination. These include but are not limited to: (a) Title VI of the Civil Rights Act of 1964 (P.L. 88-352) which prohibits discrimination on the basis of race, color or national origin; (b) Title IX of the Education Amendments of 1972, as amended (20 U.S.C. §§1681-1683, and 1685-1686), which prohibits discrimination on the basis of sex; (c) Section 504 of the Rehabilitation Act of 1973, as

## GENERAL PROVISIONS

### INFORMATION TO BID GALVESTON COUNTY MUD # 12 EMERGENCY GENERATOR GALVESTON COUNTY, TEXAS

amended (29 U.S.C. §794), which prohibits discrimination on the basis of handicaps; (d) the Age Discrimination Act of 1975, as amended (42 U.S.C. §§6101-6107), which prohibits discrimination on the basis of age; (e) the Drug Abuse Office and Treatment Act of 1972 (P.L. 92-255), as amended, relating to nondiscrimination on the basis of drug abuse; (f) the Comprehensive Alcohol Abuse and Alcoholism Prevention, Treatment and Rehabilitation Act of 1970 (P.L. 91-616), as amended, relating to nondiscrimination on the basis of alcohol abuse or alcoholism; (g) §§523 and 527 of the Public Health Service Act of 1912 (42 U.S.C. §§290 dd-3 and 290 ee-3), as amended, relating to confidentiality of alcohol and drug abuse patient records; (h) Title VIII of the Civil Rights Act of 1968 (42 U.S.C. §§3601 et seq.), as amended, relating to nondiscrimination in the sale, rental or financing of housing; (i) any other non-discrimination provisions in the specific statute(s) under which application for Federal assistance is being made; and (j) the requirements of any other nondiscrimination statute(s) which may apply to the application.

- (7) Will comply, or has already complied, with the requirements of Titles II and III of the Uniform Relocation Assistance and Real Property Acquisition Policies Act of 1970 (P.L. 91-646) which provide for fair and equitable treatment of persons displaced or whose property is acquired as a result of Federal and federally assisted programs. These requirements apply to all interests in real property acquired for project purposes regardless of Federal participation in purchases.
- (8) Will comply with the provisions of the Hatch Act (5 U.S.C. §§1501-1508 and 7324-7328) which limit the political activities of employees whose principal employment activities are funded in whole or in part with Federal funds.
- (9) Will comply, as applicable, with the provisions of the Davis- Bacon Act (40 U.S.C. §§276a to 276a-7), the Copeland Act (40 U.S.C. §276c and 18 U.S.C. §874), and the Contract Work Hours and Safety Standards Act (40 U.S.C. §§327-333) regarding labor standards for federally assisted construction sub agreements.
- (10) Will comply with flood insurance purchase requirements of Section 102(a) of the Flood Disaster Protection Act of 1973 (P.L. 93-234) which requires recipients in a special flood hazard area to participate in the program and to purchase flood insurance if the total cost of insurable construction and acquisition is \$10,000 or more.
- (11) Will comply with environmental standards which may be prescribed pursuant to the following: (a) institution of environmental quality control measures under the National Environmental Policy Act of 1969 (P.L. 91-190) and Executive Order (EO) 11514; (b) notification of violating facilities pursuant to EO 11738; (c) protection of wetlands pursuant to EO 11990; (d) evaluation of flood hazards in floodplains in accordance with EO 11988; (e) assurance of project consistency with the approved State management program developed under the Coastal Zone Management Act of 1972 (16 U.S.C. §§1451 et seq.); (f) conformity of Federal actions to State (Clean Air) Implementation Plans under Section 176(c) of the Clean Air Act of 1955, as amended (42 U.S.C. §§7401 et seq.); (g) protection of underground sources of drinking water under the Safe Drinking Water Act of 1974, as amended (P.L. 93-523); and, (h) protection of endangered species under the Endangered Species Act of 1973, as amended (P.L. 93205).



## GENERAL PROVISIONS

### INFORMATION TO BID GALVESTON COUNTY MUD # 12 EMERGENCY GENERATOR GALVESTON COUNTY, TEXAS

- (12) Will comply with the Wild and Scenic Rivers Act of 1968 (16 U.S.C. §§1271 et seq.) related to protecting components or potential components of the national wild and scenic rivers system.
- (13) Will assist the awarding agency in assuring compliance with Section 106 of the National Historic Preservation Act of 1966, as amended (16 U.S.C. §470), EO 11593 (identification and protection of historic properties), and the Archaeological and Historic Preservation Act of 1974 (16 U.S.C. §§469a-1 et seq.).
- (14) Will cause to be performed the required financial and compliance audits in accordance with the Single Audit Act Amendments of 1996 and OMB Circular No. A-133, "Audits of States, Local Governments, and Non-Profit Organizations."
- (15) Will comply with all applicable requirements of all other Federal laws, executive orders, regulations, and policies governing this program.
- (16) Will comply with the requirements of Section 106(g) of the Trafficking Victims Protection Act (TVPA) of 2000, as amended (22 U.S.C. 7104) which prohibits grant award recipients or a sub-recipient from (1) Engaging in severe forms of trafficking in persons during the period of time that the award is in effect (2) Procuring a commercial sex act during the period of time that the award is in effect or (3) Using forced labor in the performance of the award or subawards under the award.

#### 64. GENERAL AFFIRMATIONS – TEXAS GENERAL LAND OFFICE (GLO)

To the extent they apply, affirms, and agrees to the following, without exception:

1. represents and warrants that, in accordance with Section 2155.005 of the Texas Government Code, neither nor the firm, corporation, partnership, or institution represented by , or anyone acting for such a firm, corporation, partnership, or institution has (1) violated any provision of the Texas Free Enterprise and Antitrust Act of 1983, Chapter 15 of the Texas Business and Commerce Code, or the federal antitrust laws, or (2) communicated directly or indirectly the contents of this Contract or any solicitation response upon which this Contract is based to any competitor or any other person engaged in the same line of business as .
2. If the Contract is for services, shall comply with Section 2155.4441 of the Texas Government Code, requiring the purchase of products and materials produced in the State of Texas in performing service contracts.
3. Under Section 231.006 of the Family Code, the vendor or applicant  certifies that the individual or business entity named in this Contract, bid or application is not ineligible to receive the specified grant, loan, or payment and acknowledges that this Contract may be terminated and payment may be withheld if this certification is inaccurate.
4. A bid or an application for a contract, grant, or loan paid from state funds must include the name and social security number of the individual or sole proprietor and each partner, shareholder, or owner with an ownership interest of at least 25 percent of the business entity submitting the bid or application. certifies it has submitted this information to the GLO.

## GENERAL PROVISIONS

### INFORMATION TO BID GALVESTON COUNTY MUD # 12 EMERGENCY GENERATOR GALVESTON COUNTY, TEXAS

5. If the Contract is for the purchase or lease of computer equipment, as defined by Texas Health and Safety Code Section 361.952(2), certifies that it is in compliance with Subchapter Y, Chapter 361 of the Texas Health and Safety Code, related to the Computer Equipment Recycling Program and the Texas Commission on Environmental Quality rules in Title 30 Texas Administrative Code Chapter 328.
6. Pursuant to Section 2155.003 of the Texas Government Code, represents and warrants that it has not given, offered to give, nor intends to give at any time hereafter any economic opportunity, future employment, gift, loan, gratuity, special discount, trip, favor, or service to a public servant in connection with the Contract.
7. Payments due under the Contract shall be directly applied towards eliminating any debt or delinquency owed to the State of Texas including, but not limited to, delinquent taxes, delinquent student loan payments, and delinquent child support.
8. Upon request of the GLO, shall provide copies of its most recent business continuity and disaster recovery plans.
9. If the Contract is for consulting services governed by Texas Government Code Chapter 2254, Subchapter B, in accordance with Section 2254.033 of the Texas Government Code, relating to consulting services, certifies that it does not employ an individual who has been employed by The GLO or another agency at any time during the two years preceding the 's submission of its offer to provide consulting services to the GLO or, in the alternative, , in its offer to provide consulting services to the GLO, disclosed the following: (i) the nature of the previous employment with the GLO or other state agency; (ii) the date the employment was terminated; and (iii) the annual rate of compensation for the employment at the time of its termination.
10. If the Contract is not for architecture, engineering, or construction services, except as otherwise provided by statute, rule, or regulation, must use the dispute resolution process provided for in Chapter 2260 of the Texas Government Code to attempt to resolve any dispute arising under the Contract. **NOTHING IN THIS SECTION SHALL BE CONSTRUED AS A WAIVER OF SOVEREIGN IMMUNITY BY THE GLO.**
11. If the Contract is for architecture, engineering, or construction services, subject to Texas Government Code, Section 2260.002 and Texas Civil Practice and Remedies Code Chapter 114, and except as otherwise provided by statute, rule, or regulation, shall use the dispute resolution process provided for in Chapter 2260 of the Texas Government Code to attempt to resolve all disputes arising under this Contract. Except as otherwise provided by statute, rule, or regulation, in accordance with the Texas Civil Practice and Remedies Code, Section 114.005, claims encompassed by Texas Government Code, Section 2260.002(3) and Texas Civil Practice and Remedies Code Section 114.002 shall be governed by the dispute resolution process set forth below in subsections (a)-(d). **NOTHING IN THIS SECTION SHALL BE CONSTRUED AS A WAIVER OF SOVEREIGN IMMUNITY BY THE GLO.**
  - a. Notwithstanding Texas Government Code, Chapter 2260.002(3) and Chapter 114.012 and any other statute or applicable law, if the 's claim for breach of contract cannot be resolved by the parties in the ordinary course of business, may make a claim against the GLO for breach of contract and the GLO may assert a counterclaim against the as is contemplated by Texas Government Code, Chapter 2260, Subchapter B. In such event, must provide written notice to the GLO of a claim for breach of the Contract not later than the 180th day after the date of the event giving rise to the claim. The

## GENERAL PROVISIONS

### INFORMATION TO BID GALVESTON COUNTY MUD # 12 EMERGENCY GENERATOR GALVESTON COUNTY, TEXAS

notice must state with particularity: (1) the nature of the alleged breach; (2) the amount the seeks as damages; and (3) the legal theory of recovery.

- b. The chief administrative officer, or if designated in the Contract, another officer of the GLO, shall examine the claim and any counterclaim and negotiate with the in an effort to resolve them. The negotiation must begin no later than the 120th day after the date the claim is received, as is contemplated by Texas Government Code, Chapter 2260, Section 2260.052.
  - c. If the negotiation under paragraph (b) above results in the resolution of some disputed issues by agreement or in a settlement, the parties shall reduce the agreement or settlement to writing and each party shall sign the agreement or settlement. A partial settlement or resolution of a claim does not waive a party's rights under this Contract as to the parts of the claim that are not resolved.
  - d. If a claim is not entirely resolved under paragraph (b) above, on or before the 270th day after the date the claim is filed with the GLO, unless the parties agree in writing to an extension of time, the parties may agree to mediate a claim made under this dispute resolution procedure. This dispute resolution procedure is the 's sole and exclusive process for seeking a remedy for an alleged breach of contract by the GLO if the parties are unable to resolve their disputes as described in this section.
  - e. Nothing in the Contract shall be construed as a waiver of the state's or the GLO's sovereign immunity. This Contract shall not constitute or be construed as a waiver of any of the privileges, rights, defenses, remedies, or immunities available to the State of Texas. The failure to enforce, or any delay in the enforcement, of any privileges, rights, defenses, remedies, or immunities available to the State of Texas under this Contract or under applicable law shall not constitute a waiver of such privileges, rights, defenses, remedies or immunities or be considered as a basis for estoppel. The GLO does not waive any privileges, rights, defenses, or immunities available to it by entering into this Contract or by its conduct, or by the conduct of any representative of the GLO, prior to or subsequent to entering into this Contract.
  - f. Except as otherwise provided by statute, rule, or regulation, compliance with the dispute resolution process provided for in Texas Government Code, Chapter 2260, subchapter B and incorporated by reference in subsection (a)-(d) above is a condition precedent to the: (1) filing suit pursuant to Chapter 114 of the Civil Practices and Remedies Code; or (2) initiating a contested case hearing pursuant to Subchapter C of Chapter 2260 of the Texas Government Code.
12. If Texas Government Code Chapter 2270 prohibiting state contracts with companies boycotting Israel applies to and this Contract, then verifies it does not boycott Israel and will not boycott Israel during the term of this Contract.
  13. This Contract is contingent upon the continued availability of lawful appropriations by the Texas Legislature. understands that all obligations of the GLO under this Contract are subject to the availability of state funds. If such funds are not appropriated or become unavailable, the GLO may terminate the Contract. The Contract shall not be construed as creating a debt on behalf of the GLO in violation of Article III, Section 49a of the Texas Constitution.
  14. certifies that it is not listed on the federal government's terrorism watch list as described in Executive Order 13224.

## **GENERAL PROVISIONS**

### **INFORMATION TO BID GALVESTON COUNTY MUD # 12 EMERGENCY GENERATOR GALVESTON COUNTY, TEXAS**

15. In accordance with Section 669.003 of the Texas Government Code, relating to contracting with the executive head of a state agency, certifies that it is not (1) the executive head of the GLO, (2) a person who at any time during the four years before the effective date of the Contract was the executive head of the GLO, or (3) a person who employs a current or former executive head of the GLO.
16. represents and warrants that all statements and information prepared and submitted in connection with this Contract are current, complete, true, and accurate. Submitting a false statement or making a material misrepresentation during the performance of this Contract is a material breach of contract and may void the Contract or be grounds for its termination.
17. Pursuant to Section 2155.004(a) of the Texas Government Code, certifies that neither nor any person or entity represented by has received compensation from the GLO to participate in the preparation of the specifications or solicitation on which this Contract is based. Under Section 2155.004(b) of the Texas Government Code, certifies that the individual or business entity named in this Contract is not ineligible to receive the specified contract and acknowledges that the Contract may be terminated and payment withheld if this certification is inaccurate. This Section does not prohibit from providing free technical assistance.
18. represents and warrants that it is not engaged in business with Iran, Sudan, or a foreign terrorist organization, as prohibited by Section 2252.152 of the Texas Government Code.
19. If the Contract is for professional or consulting services governed by Texas Government Code Chapter 2254, represents and warrants that none of its employees including, but not limited to, those authorized to provide services under the Contract, were former employees of the GLO during the twelve (12) month period immediately prior to the date of execution of the Contract.
20. The Contract shall be governed by and construed in accordance with the laws of the State of Texas, without regard to the conflicts of law provisions. The venue of any suit arising under the Contract is fixed in any court of competent jurisdiction of Travis County, Texas, unless the specific venue is otherwise identified in a statute which directly names or otherwise identifies its applicability to the GLO.
21. IF THE CONTRACT IS NOT FOR ARCHITECTURE OR ENGINEERING SERVICES GOVERNED BY TEXAS GOVERNMENT CODE CHAPTER 2254, , TO THE EXTENT ALLOWED BY LAW, SHALL DEFEND, INDEMNIFY AND HOLD HARMLESS THE STATE OF TEXAS AND THE GLO, AND/OR THEIR OFFICERS, AGENTS, EMPLOYEES, REPRESENTATIVES, CONTRACTORS, ASSIGNEES, AND/OR DESIGNEES FROM ANY AND ALL LIABILITY, ACTIONS, CLAIMS, DEMANDS, OR SUITS, AND ALL RELATED COSTS, ATTORNEY FEES, AND EXPENSES ARISING OUT OF, OR RESULTING FROM ANY ACTS OR OMISSIONS OF OR ITS AGENTS, EMPLOYEES, SUBCONTRACTORS, ORDER FULFILLERS, OR SUPPLIERS OF SUBCONTRACTORS IN THE EXECUTION OR PERFORMANCE OF THE CONTRACT AND ANY PURCHASE ORDERS ISSUED UNDER THE CONTRACT. THE DEFENSE SHALL BE COORDINATED BY WITH THE OFFICE OF THE TEXAS ATTORNEY GENERAL WHEN TEXAS STATE AGENCIES ARE NAMED DEFENDANTS IN ANY LAWSUIT AND MAY NOT AGREE TO ANY SETTLEMENT WITHOUT FIRST OBTAINING THE CONCURRENCE FROM THE OFFICE OF THE TEXAS ATTORNEY GENERAL. AND THE GLO SHALL FURNISH TIMELY WRITTEN NOTICE TO EACH OTHER OF ANY SUCH CLAIM.

## GENERAL PROVISIONS

### INFORMATION TO BID GALVESTON COUNTY MUD # 12 EMERGENCY GENERATOR GALVESTON COUNTY, TEXAS

22. IF THE CONTRACT IS FOR ARCHITECTURE OR ENGINEERING SERVICES GOVERNED BY TEXAS GOVERNMENT CODE CHAPTER 2254, , TO THE EXTENT ALLOWED BY LAW, SHALL INDEMNIFY AND HOLD HARMLESS THE STATE OF TEXAS AND THE GLO, AND/OR THEIR OFFICERS, AGENTS, EMPLOYEES, REPRESENTATIVES, CONTRACTORS, ASSIGNEES, AND/OR DESIGNEES FROM ANY AND ALL LIABILITY, ACTIONS, CLAIMS, DEMANDS, OR SUITS, AND ALL RELATED DAMAGES, COSTS, ATTORNEY FEES, AND EXPENSES TO THE EXTENT CAUSED BY, ARISING OUT OF, OR RESULTING FROM ANY ACTS OF NEGLIGENCE, INTENTIONAL TORTS, WILLFUL MISCONDUCT, PERSONAL INJURY OR DAMAGE TO PROPERTY, AND/OR OTHERWISE RELATED TO 'S PERFORMANCE, AND/OR FAILURES TO PAY A SUBCONTRACTOR OR SUPPLIER BY THE OR ITS AGENTS, EMPLOYEES, SUBCONTRACTORS, ORDER FULFILLERS, CONSULTANTS UNDER CONTRACT TO , OR ANY OTHER ENTITY OVER WHICH THE CONTRACTOR EXERCISES CONTROL, OR SUPPLIERS OF SUBCONTRACTORS IN THE EXECUTION OR PERFORMANCE OF THE CONTRACT. THE DEFENSE SHALL BE COORDINATED BY WITH THE OFFICE OF THE TEXAS ATTORNEY GENERAL WHEN TEXAS STATE AGENCIES ARE NAMED DEFENDANTS IN ANY LAWSUIT AND MAY NOT AGREE TO ANY SETTLEMENT WITHOUT FIRST OBTAINING THE CONCURRENCE FROM THE OFFICE OF THE TEXAS ATTORNEY GENERAL. AND THE GLO SHALL FURNISH TIMELY WRITTEN NOTICE TO EACH OTHER OF ANY SUCH CLAIM.
23. TO THE EXTENT ALLOWED BY LAW, SHALL DEFEND, INDEMNIFY, AND HOLD HARMLESS THE GLO AND THE STATE OF TEXAS FROM AND AGAINST ANY AND ALL CLAIMS, VIOLATIONS, MISAPPROPRIATIONS OR INFRINGEMENT OF ANY PATENT, TRADEMARK, COPYRIGHT, TRADE SECRET OR OTHER INTELLECTUAL PROPERTY RIGHTS AND/OR OTHER INTANGIBLE PROPERTY, PUBLICITY OR PRIVACY RIGHTS, AND/OR IN CONNECTION WITH OR ARISING FROM: (1) THE PERFORMANCE OR ACTIONS OF PURSUANT TO THIS CONTRACT; (2) ANY DELIVERABLE, WORK PRODUCT, CONFIGURED SERVICE OR OTHER SERVICE PROVIDED HEREUNDER; AND/OR (3) THE GLO'S AND/OR 'S USE OF OR ACQUISITION OF ANY REQUESTED SERVICES OR OTHER ITEMS PROVIDED TO THE GLO BY OR OTHERWISE TO WHICH THE GLO HAS ACCESS AS A RESULT OF 'S PERFORMANCE UNDER THE CONTRACT. AND THE GLO SHALL FURNISH TIMELY WRITTEN NOTICE TO EACH OTHER OF ANY SUCH CLAIM. SHALL BE LIABLE TO PAY ALL COSTS OF DEFENSE, INCLUDING ATTORNEYS' FEES. THE DEFENSE SHALL BE COORDINATED BY WITH THE OFFICE OF THE TEXAS ATTORNEY GENERAL (OAG) WHEN TEXAS STATE AGENCIES ARE NAMED DEFENDANTS IN ANY LAWSUIT AND MAY NOT AGREE TO ANY SETTLEMENT WITHOUT FIRST OBTAINING THE CONCURRENCE FROM OAG. IN ADDITION, WILL REIMBURSE THE GLO AND THE STATE OF TEXAS FOR ANY CLAIMS, DAMAGES, COSTS, EXPENSES OR OTHER AMOUNTS, INCLUDING, BUT NOT LIMITED TO, ATTORNEYS' FEES AND COURT COSTS, ARISING FROM ANY SUCH CLAIM. IF THE GLO DETERMINES THAT A CONFLICT EXISTS BETWEEN ITS INTERESTS AND THOSE OF OR IF THE GLO IS REQUIRED BY APPLICABLE LAW TO SELECT SEPARATE COUNSEL, THE GLO WILL BE PERMITTED TO SELECT SEPARATE COUNSEL AND WILL PAY ALL REASONABLE COSTS OF THE GLO'S COUNSEL.
24. has disclosed in writing to the GLO all existing or potential conflicts of interest relative to the performance of the Contract.

## GENERAL PROVISIONS

### INFORMATION TO BID GALVESTON COUNTY MUD # 12 EMERGENCY GENERATOR GALVESTON COUNTY, TEXAS

25. Sections 2155.006 and 2261.053 of the Texas Government Code prohibit state agencies from accepting a solicitation response or awarding a contract that includes proposed financial participation by a person who, in the past five years, has been convicted of violating a federal law or assessed a penalty in connection with a contract involving relief for Hurricane Rita, Hurricane Katrina, or any other disaster, as defined by Section 418.004 of the Texas Government Code, occurring after September 24, 2005. Under Sections 2155.006 and 2261.053 of the Texas Government Code, certifies that the individual or business entity named in this Contract is not ineligible to receive the specified contract and acknowledges that this Contract may be terminated and payment withheld if this certification is inaccurate.
26. understands that the GLO will comply with the Texas Public Information Act (Chapter 552 of the Texas Government Code) as interpreted by judicial rulings and opinions of the Attorney General of the State of Texas. Information, documentation, and other material related to this Contract may be subject to public disclosure pursuant to the Texas Public Information Act. In accordance with Section 2252.907 of the Texas Government Code, shall make any information created or exchanged with the State/GLO pursuant to the Contract, and not otherwise excepted from disclosure under the Texas Public Information Act, available in a format that is accessible by the public at no additional charge to the State or the GLO.
27. The person executing this Contract certifies that he/she is duly authorized to execute this Contract on his/her own behalf or on behalf of and legally empowered to contractually bind to the terms and conditions of the Contract and related documents.
28. If the Contract is for architectural or engineering services, pursuant to Section 2254.0031 of the Texas Government Code, which incorporates by reference Section 271.904(d) of the Texas Local Government Code, shall perform services (1) with professional skill and care ordinarily provided by competent engineers or architects practicing under the same or similar circumstances and professional license, and (2) as expeditiously as is prudent considering the ordinary professional skill and care of a competent engineer or architect.
29. The state auditor may conduct an audit or investigation of any entity receiving funds from the state directly under the Contract or indirectly through a subcontract under the Contract. The acceptance of funds directly under the Contract or indirectly through a subcontract under the Contract acts as acceptance of the authority of the state auditor, under the direction of the legislative audit committee, to conduct an audit or investigation in connection with those funds. Under the direction of the legislative audit committee, an entity that is the subject of an audit or investigation by the state auditor must provide the state auditor with access to any information the state auditor considers relevant to the investigation or audit. shall ensure that this paragraph concerning the authority to audit funds received indirectly by subcontractors through the Contract and the requirement to cooperate is included in any subcontract it awards. The GLO may unilaterally amend the Contract to comply with any rules and procedures of the state auditor in the implementation and enforcement of Section 2262.154 of the Texas Government Code.
30. certifies that neither it nor its principals are debarred, suspended, proposed for debarment, declared ineligible, or otherwise excluded from participation in the Contract by any state or federal agency.
31. expressly acknowledges that state funds may not be expended in connection with the purchase of an automated information system unless that system meets certain statutory requirements relating to accessibility by persons with visual impairments. Accordingly, represents and warrants to the GLO that any technology provided to the GLO for purchase pursuant to this Contract is capable, either by virtue of features included within the technology or because it is readily adaptable by use with other technology,

## GENERAL PROVISIONS

### INFORMATION TO BID GALVESTON COUNTY MUD # 12 EMERGENCY GENERATOR GALVESTON COUNTY, TEXAS

of: providing equivalent access for effective use by both visual and non-visual means; presenting information, including prompts used for interactive communications, in formats intended for non-visual use; and being integrated into networks for obtaining, retrieving, and disseminating information used by individuals who are not blind or visually impaired. For purposes of this Section, the phrase "equivalent access" means a substantially similar ability to communicate with or make use of the technology, either directly by features incorporated within the technology or by other reasonable means such as assistive devices or services which would constitute reasonable accommodations under the Americans With Disabilities Act or similar state or federal laws. Examples of methods by which equivalent access may be provided include, but are not limited to, keyboard alternatives to mouse commands and other means of navigating graphical displays, and customizable display appearance.

32. If the Contract is for the purchase or lease of covered television equipment, as defined by Section 361.971(3) of the Texas Health and Safety Code, certifies its compliance with Subchapter Z, Chapter 361 of the Texas Health and Safety Code, related to the Television Equipment Recycling Program.
33. Pursuant to Section 572.069 of the Texas Government Code, certifies it has not employed and will not employ a former state officer or employee who participated in a procurement or contract negotiations for the GLO involving within two (2) years after the date that the contract is signed or the procurement is terminated or withdrawn. This certification only applies to former state officers or employees whose state service or employment ceased on or after September 1, 2015.
34. The GLO does not tolerate any type of fraud. GLO policy promotes consistent, legal, and ethical organizational behavior by assigning responsibilities and providing guidelines to enforce controls. Any violations of law, agency policies, or standards of ethical conduct will be investigated, and appropriate actions will be taken. shall report any possible fraud, waste, or abuse that occurs in connection with the Contract to the GLO's Fraud Reporting hotline at (877) 888-0002.
35. The requirements of Subchapter J, Chapter 552, Government Code, may apply to this contract and agrees that the Contract can be terminated if knowingly or intentionally fails to comply with a requirement of that subchapter.
36. If, in its performance of the Contract, has access to a state computer system or database, must complete a cybersecurity training program certified under Texas Government Code Section 2054.519, as selected by the GLO. must complete the cybersecurity training program during the initial term of the Contract and during any renewal period. must verify in writing to the GLO its completion of the cybersecurity training program.
37. Under Section 2155.0061, Texas Government Code, certifies that the entity named in this contract is not ineligible to receive the specified contract and acknowledges that this contract may be terminated and payment withheld if this certification is inaccurate.

## GENERAL PROVISIONS

### INFORMATION TO BID GALVESTON COUNTY MUD #12 EMERGENCY GENERATOR GALVESTON COUNTY, TEXAS

#### 65. SECTION 231.006, FAMILY CODE/DELINQUENT CHILD SUPPORT

Pursuant to Title 5, Section 231.006 of the Texas Family Code, as applicable, Bidder certifies that it, including all of its principals, is/are current in child support payments and that it is eligible to receive payments from State funds under a contract for property, materials, or services. Bidder acknowledges and agrees that if it is awarded this contract, then the ensuing agreement may be terminated, and payment withheld if this certification is inaccurate. Finally, by the submission of its Bid, the Bidder certifies that it has included the names and social security numbers of each person with at least 25% ownership interest in Bidder within its response to the request for Bid and that all such persons are current in child support payments.

#### 66. ANTITRUST

Pursuant to 15 U.S.C. § 1, et seq., and Texas Business and Commerce Code, Chapter 15, Contractor, by the submission of its Bid, certifies that neither Contractor nor any natural person, proprietorship, firm, corporation, partnership, association, or institution represented by Contractor or anyone acting for such natural person, proprietorship, firm, corporation, partnership, association, or institution has violated any Federal or State antitrust laws or communicated the nature of the offer, directly or indirectly, to any competitor or other person engaged in a similar line of business.

#### 67. LABOR STANDARDS

On contracts funded under a federal grant: Bidder acknowledges that the contract to be awarded pursuant to this solicitation is on a grant program funded with Federal funds. Bidder shall comply with the requirements of 29 CFR Part 5 and Part 30 and shall be in conformity with Executive Order 11246, entitled "Equal Employment Opportunity", Copeland, "Anti-Kickback" Act (40 U.S.C. 3145, 29 C.F.R. Part 3), the Davis-Bacon and Related Acts (40 U.S.C. 3141-3148, 29 C.F.R. Parts 1,3, and 5), the Contract Work Hours and Safety Standards Act (40 U.S.C. 3701 et seq.), and all other applicable Federal, State, and local laws and regulations pertaining to labor standards, insofar as those acts apply to the performance of this Agreement. Bidder is also responsible for ensuring that all subcontractors comply with the requirements of 29 CFR Part 5 and Part 30 and shall be in conformity with Executive Order 11246, entitled "Equal Employment Opportunity", Copeland "Anti-Kickback" Act, the Davis-Bacon and Related Acts (29 CFR Parts 1, 3 and 5), the Contract Work Hours and Safety Standards Act (40 U.S.C. 3701 et seq.), and all other applicable Federal, State, and local laws and regulations pertaining to labor standards, insofar as those acts apply to the performance of this Agreement.

**Contractor is encouraged to use local labor, but not at the expense of poor workmanship and higher cost. Contractor will not discriminate against any employee or applicant for employment because of race, religion, color, sex or national origin. Contractor agrees to post in a conspicuous place a notice setting forth provisions of this non-discrimination clause.**

#### 68. PROCUREMENT STANDARDS - 2 C.F.R. §§ 200.317 – 200.326 & 2 C.F.R. PART 200, APPENDIX II

The Office of Management and Budget (OMB) revised the Uniform Guidance for grants (2 C.F.R. part 200) on August 13, 2020. This was the first major updating of the Uniform Guidance since 2014.

##### Effective Date:

- The full suite of changes became effective November 12, 2020. They will apply to all new Grants to States awards issued after that date, including the FY2021 awards.

##### Procurement:

New provisions for procurements by States (2 C.F.R. § 200.317):



## GENERAL PROVISIONS

### INFORMATION TO BID GALVESTON COUNTY MUD #12 EMERGENCY GENERATOR GALVESTON COUNTY, TEXAS

When procuring property and services under an award, a State will continue to follow the same policies and procedures it uses for procurement from its non-Federal funds. A State must now also comply with §§ 200.321 (contracting with small and minority businesses, women's business enterprises, and labor surplus area firms) and 200.322 (domestic preferences for procurements); and continue to comply with § 200.323 (procurement of recovered materials).

New provisions for all other non-Federal entities, including subrecipients of a State:

The OMB explains in the Aug. 13, 2020, Federal Register notice for the Uniform Guidance revisions, the following changes were made to 2 C.F.R § 200.320 (methods of procurement):

- The procurement types are now grouped into three categories:
  - (1) Informal (micro-purchase, small purchase);
  - (2) Formal (sealed bids, proposals); and
  - (3) Non-Competitive (sole source).

The micro-purchase threshold is raised from \$3,500 to \$10,000. Micro-purchase thresholds higher than \$10,000 are based on certain conditions that include a requirement to maintain records for threshold up to \$50,000 and a formal approval process by the Fed. Govt. for threshold above \$50,000.

More specifically, for Grants to States:

- (1) the subrecipient may self-certify an increase of the micro-purchase threshold up to \$50,000 (based on certain requirements).
- (2) micro-purchase thresholds higher than \$50,000 must be approved by the cognizant agency for indirect costs. (for details, see 2 C.F.R § 200.320 (a) (1) (iii) and (iv)).

The simplified acquisition threshold is raised from \$150,000 to \$250,000.

Two contract clauses were added to Appendix II of 2 C.F.R. Part 200. In addition to the previous contract clauses contained in the 2014 version of Appendix II of 2 C.F.R. Part 200, FEMA award recipient and subrecipient contracts and purchase orders must now include contract provisions for *Domestic Preferences for Procurements* (2 C.F.R. 200.322) and the *Prohibition on Contracting for Covered Telecommunications or Services* (2 C.F.R. 200.316)

#### **2 C.F.R. § 200.317. Procurements by states.**

When procuring property and services under a Federal award, a state must follow the same policies and procedures it uses for procurements from its non-Federal funds. The state will comply with §200.322 Procurement of recovered materials and ensure that every purchase order or other contract includes any clauses required by section §200.326 Contract provisions. All other non-Federal entities, including subrecipients of a state, will follow §§ 200.318 General procurement standards through 200.326 Contract provisions.

69 FR 26280, May 11, 2004; 78 FR 78608, Dec. 26, 2013

## GENERAL PROVISIONS

### INFORMATION TO BID GALVESTON COUNTY MUD #12 EMERGENCY GENERATOR GALVESTON COUNTY, TEXAS

#### 2 C.F.R. § 200.318. General procurement standards.

- (a) The non-Federal entity must use its own documented procurement procedures which reflect applicable State, local and tribal laws and regulations, provided that the procurements conform to applicable Federal law and the standards identified in this part.
- (b) Non-Federal entities must maintain oversight to ensure that contractors perform in accordance with the terms, conditions, and specifications of their contracts or purchase orders.
- (c)
- (1) The non-Federal entity must maintain written standards of conduct covering conflicts of interest and governing the actions of its employees engaged in the selection, award and administration of contracts. No employee, officer, or agent may participate in the selection, award, or administration of a contract supported by a Federal award if he or she has a real or apparent conflict of interest. Such a conflict of interest would arise when the employee, officer, or agent, any member of his or her immediate family, his or her partner, or an organization which employs or is about to employ any of the parties indicated herein, has a financial or other interest in or a tangible personal benefit from a firm considered for a contract. The officers, employees, and agents of the non-Federal entity may neither solicit nor accept gratuities, favors, or anything of monetary value from contractors or parties to subcontracts. However, non-Federal entities may set standards for situations in which the financial interest is not substantial or the gift is an unsolicited item of nominal value. The standards of conduct must provide for disciplinary actions to be applied for violations of such standards by officers, employees, or agents of the non-Federal entity.
- (2) If the non-Federal entity has a parent, affiliate, or subsidiary organization that is not a state, local government, or Indian tribe, the non-Federal entity must also maintain written standards of conduct covering organizational conflicts of interest. Organizational conflicts of interest means that because of relationships with a parent company, affiliate, or subsidiary organization, the non-Federal entity is unable or appears to be unable to be impartial in conducting a procurement action involving a related organization.
- (d) The non-Federal entity's procedures must avoid acquisition of unnecessary or duplicative items. Consideration should be given to consolidating or breaking out procurements to obtain a more economical purchase. Where appropriate, an analysis will be made of lease versus purchase alternatives, and any other appropriate analysis to determine the most economical approach.
- (e) To foster greater economy and efficiency, and in accordance with efforts to promote cost-effective use of shared services across the Federal Government, the non-Federal entity is encouraged to enter into state and local intergovernmental agreements or inter-entity agreements where appropriate for procurement or use of common or shared goods and services.
- (f) The non-Federal entity is encouraged to use Federal excess and surplus property in lieu of purchasing new equipment and property whenever such use is feasible and reduces project costs.
- (g) The non-Federal entity is encouraged to use value engineering clauses in contracts for construction projects of sufficient size to offer reasonable opportunities for cost reductions. Value engineering is a systematic and creative analysis of each contract item or task to ensure that its essential function is provided at the overall lower cost.

## GENERAL PROVISIONS

### INFORMATION TO BID GALVESTON COUNTY MUD #12 EMERGENCY GENERATOR GALVESTON COUNTY, TEXAS

(h) The non-Federal entity must award contracts only to responsible contractors possessing the ability to perform successfully under the terms and conditions of a proposed procurement. Consideration will be given to such matters as contractor integrity, compliance with public policy, record of past performance, and financial and technical resources. See also § 200.213 Suspension and debarment.

(i) The non-Federal entity must maintain records sufficient to detail the history of procurement. These records will include, but are not necessarily limited to the following: rationale for the method of procurement, selection of contract type, contractor selection or rejection, and the basis for the contract price.

(j)

(1) The non-Federal entity may use a time and materials type contract only after a determination that no other contract is suitable and if the contract includes a ceiling price that the contractor exceeds at its own risk. Time and materials type contract means a contract whose cost to a non-Federal entity is the sum of:

(i) The actual cost of materials; and

(ii) Direct labor hours charged at fixed hourly rates that reflect wages, general and administrative expenses, and profit.

(2) Since this formula generates an open-ended contract price, a time-and-materials contract provides no positive profit incentive to the contractor for cost control or labor efficiency. Therefore, each contract must set a ceiling price that the contractor exceeds at its own risk. Further, the non-Federal entity awarding such a contract must assert a high degree of oversight in order to obtain reasonable assurance that the contractor is using efficient methods and effective cost controls.

(k) The non-Federal entity alone must be responsible, in accordance with good administrative practice and sound business judgment, for the settlement of all contractual and administrative issues arising out of procurements. These issues include, but are not limited to, source evaluation, protests, disputes, and claims. These standards do not relieve the non-Federal entity of any contractual responsibilities under its contracts. The Federal awarding agency will not substitute its judgment for that of the non-Federal entity unless the matter is primarily a Federal concern. Violations of law will be referred to the local, state, or Federal authority having proper jurisdiction.

78 FR 78608, Dec. 26, 2013, as amended at 79 FR 75885, Dec. 19, 2014; 80 FR 43309, July 22, 2015; 80 FR 45395, July 30, 2015

#### **2 C.F.R. § 200.319. Competition.**

(a) All procurement transactions must be conducted in a manner providing full and open competition consistent with the standards of this section. In order to ensure objective contractor performance and eliminate unfair competitive advantage, contractors that develop or draft specifications, requirements, statements of work, or invitations for bids or requests for proposals must be excluded from competing for such procurements. Some of the situations considered to be restrictive of competition include but are not limited to:

(1) Placing unreasonable requirements on firms in order for them to qualify to do business;

## GENERAL PROVISIONS

### INFORMATION TO BID GALVESTON COUNTY MUD #12 EMERGENCY GENERATOR GALVESTON COUNTY, TEXAS

- (2) Requiring unnecessary experience and excessive bonding;
  - (3) Noncompetitive pricing practices between firms or between affiliated companies;
  - (4) Noncompetitive contracts to consultants that are on retainer contracts;
  - (5) Organizational conflicts of interest;
  - (6) Specifying only a “brand name” product instead of allowing “an equal” product to be offered and describing the performance or other relevant requirements of the procurement; and
  - (7) Any arbitrary action in the procurement process.
- (b) The non-Federal entity must conduct procurements in a manner that prohibits the use of statutorily or administratively imposed state, local, or tribal geographical preferences in the evaluation of bids or proposals, except in those cases where applicable Federal statutes expressly mandate or encourage geographic preference. Nothing in this section preempts state licensing laws. When contracting for architectural and engineering (A/E) services, geographic location may be a selection criterion provided its application leaves an appropriate number of qualified firms, given the nature and size of the project, to compete for the contract.
- (c) The non-Federal entity must have written procedures for procurement transactions. These procedures must ensure that all solicitations:
- (1) Incorporate a clear and accurate description of the technical requirements for the material, product, or service to be procured. Such description must not, in competitive procurements, contain features which unduly restrict competition. The description may include a statement of the qualitative nature of the material, product or service to be procured and, when necessary, must set forth those minimum essential characteristics and standards to which it must conform if it is to satisfy its intended use. Detailed product specifications should be avoided if at all possible. When it is impractical or uneconomical to make a clear and accurate description of the technical requirements, a “brand name or equivalent” description may be used as a means to define the performance or other salient requirements of procurement. The specific features of the named brand which must be met by offers must be clearly stated; and
  - (2) Identify all requirements which the offerors must fulfill and all other factors to be used in evaluating bids or proposals.
- (d) The non-Federal entity must ensure that all prequalified lists of persons, firms, or products which are used in acquiring goods and services are current and include enough qualified sources to ensure maximum open and free competition. Also, the non-Federal entity must not preclude potential bidders from qualifying during the solicitation period.

78 FR 78608, Dec. 26, 2013, as amended at 79 FR 75885, Dec. 19, 2014

#### **2 C.F.R. § 200.320. Methods of procurement to be followed.**

The non-Federal entity must use one of the following methods of procurement.

## GENERAL PROVISIONS

### INFORMATION TO BID GALVESTON COUNTY MUD #12 EMERGENCY GENERATOR GALVESTON COUNTY, TEXAS

(a) Procurement by micro-purchases. Procurement by micro-purchase is the acquisition of supplies or services, the aggregate dollar amount of which does not exceed the micro-purchase threshold (§200.67 Micro-purchase). To the extent practicable, the non-Federal entity must distribute micro-purchases equitably among qualified suppliers. Micro-purchases may be awarded without soliciting competitive quotations if the non-Federal entity considers the price to be reasonable.

(b) Procurement by small purchase procedures. Small purchase procedures are those relatively simple and informal procurement methods for securing services, supplies, or other property that do not cost more than the Simplified Acquisition Threshold. If small purchase procedures are used, price or rate quotations must be obtained from an adequate number of qualified sources.

(c) Procurement by sealed bids (formal advertising). Bids are publicly solicited and a firm fixed price contract (lump sum or unit price) is awarded to the responsible bidder whose bid, conforming with all the material terms and conditions of the invitation for bids, is the lowest in price. The sealed bid method is the preferred method for procuring construction, if the conditions in paragraph (c)(1) of this section apply.

(1) In order for sealed bidding to be feasible, the following conditions should be present:

- (i) A complete, adequate, and realistic specification or purchase description is available;
- (ii) Two or more responsible bidders are willing and able to compete effectively for the business; and
- (iii) The procurement lends itself to a firm fixed price contract and the selection of the successful bidder can be made principally on the basis of price.

(2) If sealed bids are used, the following requirements apply:

- (i) Bids must be solicited from an adequate number of known suppliers, providing them sufficient response time prior to the date set for opening the bids, for local, and tribal governments, the invitation for bids must be publicly advertised;
- (ii) The invitation for bids, which will include any specifications and pertinent attachments, must define the items or services in order for the bidder to properly respond;
- (iii) All bids will be opened at the time and place prescribed in the invitation for bids, and for local and tribal governments, the bids must be opened publicly;
- (iv) A firm fixed price contract award will be made in writing to the lowest responsive and responsible bidder. Where specified in bidding documents, factors such as discounts, transportation cost, and life cycle costs must be considered in determining which bid is lowest. Payment discounts will only be used to determine the low bid when prior experience indicates that such discounts are usually taken advantage of; and
- (v) Any or all bids may be rejected if there is a sound documented reason.

(d) Procurement by competitive proposals. The technique of competitive proposals is normally conducted with more than one source submitting an offer, and either a fixed price or cost-

## GENERAL PROVISIONS

### INFORMATION TO BID GALVESTON COUNTY MUD #12 EMERGENCY GENERATOR GALVESTON COUNTY, TEXAS

reimbursement type contract is awarded. It is generally used when conditions are not appropriate for the use of sealed bids. If this method is used, the following requirements apply:

(1) Requests for proposals must be publicized and identify all evaluation factors and their relative importance. Any response to publicized requests for proposals must be considered to the maximum extent practical;

(2) Proposals must be solicited from an adequate number of qualified sources;

(3) The non-Federal entity must have a written method for conducting technical evaluations of the proposals received and for selecting recipients;

(4) Contracts must be awarded to the responsible firm whose proposal is most advantageous to the program, with price and other factors considered; and

(5) The non-Federal entity may use competitive proposal procedures for qualifications-based procurement of architectural/engineering (A/E) professional services whereby competitors' qualifications are evaluated and the most qualified competitor is selected, subject to negotiation of fair and reasonable compensation. The method, where price is not used as a selection factor, can only be used in procurement of A/E professional services. It cannot be used to purchase other types of services though A/E firms are a potential source to perform the proposed effort.

(e) [Reserved]

(f) Procurement by noncompetitive proposals. Procurement by noncompetitive proposals is procurement through solicitation of a proposal from only one source and may be used only when one or more of the following circumstances apply:

(1) The item is available only from a single source;

(2) The public exigency or emergency for the requirement will not permit a delay resulting from competitive solicitation;

(3) The Federal awarding agency or pass-through entity expressly authorizes noncompetitive proposals in response to a written request from the non-Federal entity; or

(4) After solicitation of a number of sources, competition is determined inadequate.

78 FR 78608, Dec. 26, 2013, as amended at 79 FR 75885, Dec. 19, 2014; 80 FR 54409, Sept. 10, 2015

#### **2 C.F.R. § 200.321. Contracting with small and minority businesses, women's business enterprises, and labor surplus area firms.**

(a) The non-Federal entity must take all necessary affirmative steps to assure that minority businesses, women's business enterprises, and labor surplus area firms are used when possible.

(b) Affirmative steps must include:

## GENERAL PROVISIONS

### INFORMATION TO BID GALVESTON COUNTY MUD #12 EMERGENCY GENERATOR GALVESTON COUNTY, TEXAS

- (1) Placing qualified small and minority businesses and women's business enterprises on solicitation lists;
- (2) Assuring that small and minority businesses, and women's business enterprises are solicited whenever they are potential sources;
- (3) Dividing total requirements, when economically feasible, into smaller tasks or quantities to permit maximum participation by small and minority businesses, and women's business enterprises;
- (4) Establishing delivery schedules, where the requirement permits, which encourage participation by small and minority businesses, and women's business enterprises;
- (5) Using the services and assistance, as appropriate, of such organizations as the Small Business Administration and the Minority Business Development Agency of the Department of Commerce; and
- (6) Requiring the prime contractor, if subcontracts are to be let, to take the affirmative steps listed in paragraphs (1) through (5) of this section.

69 FR 26280, May 11, 2004; 78 FR 78608, Dec. 26, 2013, unless otherwise noted  
**2 C.F.R. § 200.322. Procurement of recovered materials.**

A non-Federal entity that is a state agency or agency of a political subdivision of a state and its contractors must comply with section 6002 of the Solid Waste Disposal Act, as amended by the Resource Conservation and Recovery Act. The requirements of Section 6002 include procuring only items designated in guidelines of the Environmental Protection Agency (EPA) at 40 CFR part 247 that contain the highest percentage of recovered materials practicable, consistent with maintaining a satisfactory level of competition, where the purchase price of the item exceeds \$10,000 or the value of the quantity acquired during the preceding fiscal year exceeded \$10,000; procuring solid waste management services in a manner that maximizes energy and resource recovery; and establishing an affirmative procurement program for procurement of recovered materials identified in the EPA guidelines.

78 FR 78608, Dec. 26, 2013, as amended at 79 FR 75885, Dec. 19, 2014

**2 C.F.R. § 200.323. Contract cost and price.**

- (a) The non-Federal entity must perform a cost or price analysis in connection with every procurement action in excess of the Simplified Acquisition Threshold including contract modifications. The method and degree of analysis is dependent on the facts surrounding the particular procurement situation, but as a starting point, the non-Federal entity must make independent estimates before receiving bids or proposals.
- (b) The non-Federal entity must negotiate profit as a separate element of the price for each contract in which there is no price competition and in all cases where cost analysis is performed. To establish a fair and reasonable profit, consideration must be given to the complexity of the work to be performed, the risk borne by the contractor, the contractor's investment, the amount of subcontracting, the quality of its record of past performance, and industry profit rates in the surrounding geographical area for similar work.
- (c) Costs or prices based on estimated costs for contracts under the Federal award are allowable only to the extent that costs incurred or cost estimates included in negotiated prices would be allowable for the non-Federal entity under Subpart E—Cost Principles of this part. The non-Federal entity may reference its own cost principles that comply with the Federal cost principles.

## GENERAL PROVISIONS

### INFORMATION TO BID GALVESTON COUNTY MUD #12 EMERGENCY GENERATOR GALVESTON COUNTY, TEXAS

(d) The cost plus a percentage of cost and percentage of construction cost methods of contracting must not be used.

69 FR 26280, May 11, 2004; 78 FR 78608, Dec. 26, 2013, unless otherwise noted

#### **2 C.F.R. § 200.324. Federal awarding agency or pass-through entity review.**

(a) The non-Federal entity must make available, upon request of the Federal awarding agency or pass-through entity, technical specifications on proposed procurements where the Federal awarding agency or pass-through entity believes such review is needed to ensure that the item or service specified is the one being proposed for acquisition. This review generally will take place prior to the time the specification is incorporated into a solicitation document. However, if the non-Federal entity desires to have the review accomplished after a solicitation has been developed, the Federal awarding agency or pass-through entity may still review the specifications, with such review usually limited to the technical aspects of the proposed purchase.

(b) The non-Federal entity must make available upon request, for the Federal awarding agency or pass-through entity pre-procurement review, procurement documents, such as requests for proposals or invitations for bids, or independent cost estimates, when:

- (1) The non-Federal entity's procurement procedures or operation fails to comply with the procurement standards in this part;
- (2) The procurement is expected to exceed the Simplified Acquisition Threshold and is to be awarded without competition or only one bid or offer is received in response to a solicitation;
- (3) The procurement, which is expected to exceed the Simplified Acquisition Threshold, specifies a "brand name" product;
- (4) The proposed contract is more than the Simplified Acquisition Threshold and is to be awarded to other than the apparent low bidder under a sealed bid procurement; or
- (5) A proposed contract modification changes the scope of a contract or increases the contract amount by more than the Simplified Acquisition Threshold.

(c) The non-Federal entity is exempt from the pre-procurement review in paragraph (b) of this section if the Federal awarding agency or pass-through entity determines that its procurement systems comply with the standards of this part.

(1) The non-Federal entity may request that its procurement system be reviewed by the Federal awarding agency or pass-through entity to determine whether its system meets these standards in order for its system to be certified. Generally, these reviews must occur where there is continuous high-dollar funding, and third party contracts are awarded on a regular basis;

(2) The non-Federal entity may self-certify its procurement system. Such self-certification must not limit the Federal awarding agency's right to survey the system. Under a self-certification procedure, the Federal awarding agency may rely on written assurances from the non-Federal entity that it is complying with these standards. The non-Federal entity must cite specific policies, procedures, regulations, or standards as being in compliance with these requirements and have its system available for review.

69 FR 26280, May 11, 2004; 78 FR 78608, Dec. 26, 2013, unless otherwise noted

#### **2 C.F.R. § 200.325. Bonding requirements.**



## GENERAL PROVISIONS

### INFORMATION TO BID GALVESTON COUNTY MUD #12 EMERGENCY GENERATOR GALVESTON COUNTY, TEXAS

For construction or facility improvement contracts or subcontracts exceeding the Simplified Acquisition Threshold, the Federal awarding agency or pass-through entity may accept the bonding policy and requirements of the non-Federal entity provided that the Federal awarding agency or pass-through entity has made a determination that the Federal interest is adequately protected. If such a determination has not been made, the minimum requirements must be as follows:

- (a) A bid guarantee from each bidder equivalent to five percent of the bid price. The “bid guarantee” must consist of a firm commitment such as a bid bond, certified check, or other negotiable instrument accompanying a bid as assurance that the bidder will, upon acceptance of the bid, execute such contractual documents as may be required within the time specified.
- (b) A performance bond on the part of the contractor for 100 percent of the contract price. A “performance bond” is one executed in connection with a contract to secure fulfillment of all the contractor's obligations under such contract.
- (c) A payment bond on the part of the contractor for 100 percent of the contract price. A “payment bond” is one executed in connection with a contract to assure payment as required by law of all persons supplying labor and material in the execution of the work provided for in the contract.

69 FR 26280, May 11, 2004; 78FR 78608, Dec. 26, 2013, unless otherwise noted

#### **2 C.F.R. § 200.326. Contract provisions.**

The non-Federal entity's contracts must contain the applicable provisions described in Appendix II to Part 200—Contract Provisions for non-Federal Entity Contracts Under Federal Awards.

69 FR 26280, May 11, 2004; 78 FR 78608, Dec. 26, 2013, unless otherwise note

#### **2 C.F.R. Part, 200, Appendix II**

In addition to other provisions required by the Federal agency or non-Federal entity, all contracts made by the non-Federal entity under the Federal award must contain provisions covering the following, as applicable.

(A) Contracts for more than the simplified acquisition threshold currently set at \$150,000, which is the inflation adjusted amount determined by the Civilian Agency Acquisition Council and the Defense Acquisition Regulations Council (Councils) as authorized by 41 U.S.C. 1908, must address administrative, contractual, or legal remedies in instances where contractors violate or breach contract terms, and provide for such sanctions and penalties as appropriate.

(B) All contracts in excess of \$10,000 must address termination for cause and for convenience by the non-Federal entity including the manner by which it will be affected and the basis for settlement.

(C) Equal Employment Opportunity. Except as otherwise provided under 41 CFR Part 60, all contracts that meet the definition of “federally assisted construction contract” in 41 CFR Part 60-1.3 must include the equal opportunity clause provided under 41 CFR 60-1.4(b), in accordance with Executive Order 11246, “Equal Employment Opportunity” (30 FR 12319, 12935, 3 CFR Part, 1964-1965 Comp., p. 339), as amended by Executive Order 11375, “Amending Executive Order 11246 Relating to Equal Employment Opportunity,” and implementing regulations at 41 CFR part 60, “Office of Federal Contract Compliance Programs, Equal Employment Opportunity, Department of Labor.”

## GENERAL PROVISIONS

### INFORMATION TO BID GALVESTON COUNTY MUD #12 EMERGENCY GENERATOR GALVESTON COUNTY, TEXAS

(D) Davis-Bacon Act, as amended (40 U.S.C. 3141-3148). When required by Federal program legislation, all prime construction contracts in excess of \$2,000 awarded by non-Federal entities must include a provision for compliance with the Davis-Bacon Act (40 U.S.C. 3141-3144, and 3146-3148) as supplemented by Department of Labor regulations (29 CFR Part 5, "Labor Standards Provisions Applicable to Contracts Covering Federally Financed and Assisted Construction"). In accordance with the statute, contractors must be required to pay wages to laborers and mechanics at a rate not less than the prevailing wages specified in a wage determination made by the Secretary of Labor. In addition, contractors must be required to pay wages not less than once a week. The non-Federal entity must place a copy of the current prevailing wage determination issued by the Department of Labor in each solicitation. The decision to award a contract or subcontract must be conditioned upon the acceptance of the wage determination. The non-Federal entity must report all suspected or reported violations to the Federal awarding agency. The contracts must also include a provision for compliance with the Copeland "Anti-Kickback" Act (40 U.S.C. 3145), as supplemented by Department of Labor regulations (29 CFR Part 3, "Contractors and Subcontractors on Public Building or Public Work Financed in Whole or in Part by Loans or Grants from the United States"). The Act provides that each contractor or subrecipient must be prohibited from inducing, by any means, any person employed in the construction, completion, or repair of public work, to give up any part of the compensation to which he or she is otherwise entitled. The non-Federal entity must report all suspected or reported violations to the Federal awarding agency.

(E) Contract Work Hours and Safety Standards Act (40 U.S.C. 3701-3708). Where applicable, all contracts awarded by the non-Federal entity in excess of \$100,000 that involve the employment of mechanics or laborers must include a provision for compliance with 40 U.S.C. 3702 and 3704, as supplemented by Department of Labor regulations (29 CFR Part 5). Under 40 U.S.C. 3702 of the Act, each contractor must be required to compute the wages of every mechanic and laborer on the basis of a standard work week of 40 hours. Work in excess of the standard work week is permissible provided that the worker is compensated at a rate of not less than one and a half times the basic rate of pay for all hours worked in excess of 40 hours in the work week. The requirements of 40 U.S.C. 3704 are applicable to construction work and provide that no laborer or mechanic must be required to work in surroundings or under working conditions which are unsanitary, hazardous or dangerous. These requirements do not apply to the purchases of supplies or materials or articles ordinarily available on the open market, or contracts for transportation or transmission of intelligence.

(F) Rights to Inventions Made Under a Contract or Agreement. If the Federal award meets the definition of "funding agreement" under 37 CFR §401.2 (a) and the recipient or subrecipient wishes to enter into a contract with a small business firm or nonprofit organization regarding the substitution of parties, assignment or performance of experimental, developmental, or research work under that "funding agreement," the recipient or subrecipient must comply with the requirements of 37 CFR Part 401, "Rights to Inventions Made by Nonprofit Organizations and Small Business Firms Under Government Grants, Contracts and Cooperative Agreements," and any implementing regulations issued by the awarding agency.

(G) Clean Air Act (42 U.S.C. 7401-7671q.) and the Federal Water Pollution Control Act (33 U.S.C. 1251-1387), as amended—Contracts and subgrants of amounts in excess of \$150,000 must contain a provision that requires the non-Federal award to agree to comply with all applicable standards, orders or regulations issued pursuant to the Clean Air Act (42 U.S.C. 7401-7671q) and the Federal Water Pollution Control Act as amended (33 U.S.C. 1251-1387). Violations must be reported to the Federal awarding agency and the Regional Office of the Environmental Protection Agency (EPA).

(H) Debarment and Suspension (Executive Orders 12549 and 12689)—A contract award (see 2 CFR 180.220) must not be made to parties listed on the governmentwide exclusions in the System for Award Management (SAM), in accordance with the OMB guidelines at 2 CFR 180 that implement Executive Orders 12549 (3 CFR part 1986 Comp., p. 189) and 12689 (3 CFR part 1989 Comp., p. 235), "Debarment and Suspension." SAM Exclusions contains the names of parties debarred, suspended, or otherwise excluded by agencies, as well as parties declared ineligible under statutory or regulatory authority other than Executive Order 12549.

(I) Byrd Anti-Lobbying Amendment (31 U.S.C. 1352)—Contractors that apply or bid for an award exceeding \$100,000 must file the required certification. Each tier certifies to the tier above that it will not and has not used Federal

## GENERAL PROVISIONS

### INFORMATION TO BID GALVESTON COUNTY MUD #12 EMERGENCY GENERATOR GALVESTON COUNTY, TEXAS

appropriated funds to pay any person or organization for influencing or attempting to influence an officer or employee of any agency, a member of Congress, officer or employee of Congress, or an employee of a member of Congress in connection with obtaining any Federal contract, grant or any other award covered by 31 U.S.C. 1352. Each tier must also disclose any lobbying with non-Federal funds that takes place in connection with obtaining any Federal award. Such disclosures are forwarded from tier to tier up to the non-Federal award.

(J) See §200.322 Procurement of recovered materials.

78 FR 78608, Dec. 26, 2013, as amended at 79 FR 75888, Dec. 19, 2014

**DOMESTIC PREFERENCES FOR PROCUREMENTS** *(All State and non-State entity purchase orders must adhere to the following)*

#### § 200.322 Domestic preferences for procurements.

(a) As appropriate and to the extent consistent with law, the non-Federal entity should, to the greatest extent practicable under a Federal award, provide a preference for the purchase, acquisition, or use of goods, products, or materials produced in the United States (including but not limited to iron, aluminum, steel, cement, and other manufactured products). The requirements of this section must be included in all subawards including all contracts and purchase orders for work or products under this award.

(b) For purposes of this section:

(1) "Produced in the United States" means, for iron and steel products, that all manufacturing processes, from the initial melting stage through the application of coatings, occurred in the United States.

(2) "Manufactured products" means items and construction materials composed in whole or in part of non-ferrous metals such as aluminum; plastics and polymer-based products such as polyvinyl chloride pipe; aggregates such as concrete; glass, including optical fiber; and lumber.

**PROHIBITION ON CONTRACTING FOR COVERED TELECOMMUNICATIONS OR SERVICES**  
*(Effective August 13, 2020 for new, extended, or renewed procurements under all open FEMA awards)*

#### § 200.216 Prohibition on certain telecommunications and video surveillance services or equipment.

(a) Recipients and subrecipients are prohibited from obligating or expending loan or grant funds to:

(1) Procure or obtain;

(2) Extend or renew a contract to procure or obtain; or

(3) Enter into a contract (or extend or renew a contract) to procure or obtain equipment, services, or systems that uses covered telecommunications equipment or services as a substantial or essential component of any system, or as critical technology as part of any system. As described in Public Law 115-232, section 889, covered telecommunications equipment is telecommunications equipment produced by Huawei Technologies Company or ZTE Corporation (or any subsidiary or affiliate of such entities).

(i) For the purpose of public safety, security of government facilities, physical security surveillance of critical infrastructure, and other national security purposes, video surveillance and

## GENERAL PROVISIONS

### INFORMATION TO BID GALVESTON COUNTY MUD #12 EMERGENCY GENERATOR GALVESTON COUNTY, TEXAS

telecommunications equipment produced by Hytera Communications Corporation, Hangzhou Hikvision Digital Technology Company, or Dahua Technology Company (or any subsidiary or affiliate of such entities).

(ii) Telecommunications or video surveillance services provided by such entities or using such equipment.

(iii) Telecommunications or video surveillance equipment or services produced or provided by an entity that the Secretary of Defense, in consultation with the Director of the National Intelligence or the Director of the Federal Bureau of Investigation, reasonably believes to be an entity owned or controlled by, or otherwise connected to, the government of a covered foreign country.

(b) In implementing the prohibition under Public Law 115-232, section 889, subsection (f), paragraph (1), heads of executive agencies administering loan, grant, or subsidy programs shall prioritize available funding and technical support to assist affected businesses, institutions and organizations as is reasonably necessary for those affected entities to transition from covered communications equipment and services, to procure replacement equipment and services, and to ensure that communications service to users and customers is sustained.

(c) See Public Law 115-232, section 889 for additional information.

(c) See also § 200.471.

## 69. PROCUREMENT LAWS

- a. Bidder shall comply with all applicable local, State, and Federal laws, rules, and regulations.
- b. If this contract is made pursuant to a federal award, then Contractor acknowledges that the contract is subject, without limitation, to applicable provisions within 2 C.F.R. Part 200, Uniform Administrative Requirements, Cost Principles, and Audit Requirements for Federal Awards. Contractor shall comply with applicable provisions within 2 C.F.R., Sections 200.319 through 200.326. including but not limited to the following:
  - 1.) **Equal Employment Opportunity**, 41 C.F.R. Part 60-1.4(b) (applicable to federally assisted construction contracts).
    - (a) During the performance of this contract, the contractor agrees as follows:
      - (1) The contractor will not discriminate against any employee or applicant for employment because of race, color, religion, sex, national original, disability, or veteran status. The contractor will take affirmative action to ensure that applicants are employed, and that employees are treated during employment, without regard to their race, color, religion, sex, national original, disability or veteran status. Such action shall include, but not be limited to the following: employment, upgrading, demotion, or transfer; recruitment or recruitment advertising; layoff or termination; rates of pay or other forms of compensation; and selection for training, including apprenticeship. The contractor agrees to post in conspicuous places, available to employees and applicants for employment, notices to be provided setting forth the provisions of this nondiscrimination clause.
      - (2) The contractor will, in all solicitations or advertisements for employees placed by or on behalf of contractor, state that all qualified applicants will receive consideration for employment without regard to race, color, religion, sex, national original, disability, or veteran status.

## GENERAL PROVISIONS

### INFORMATION TO BID GALVESTON COUNTY MUD #12 EMERGENCY GENERATOR GALVESTON COUNTY, TEXAS

- (3) The contractor will send to each labor union or representative of workers with which he has a collective bargaining agreement or other contract or understanding, a notice to be provided advising the said labor union or workers' representatives of the contractor's commitments under this section and shall post copies of the notice in conspicuous places available to employees and applicants for employment.
  - (4) The contractor will comply with all provisions of Executive Order 11246 of September 24, 1965, and by rules, regulations, and relevant orders of the Secretary of Labor.
  - (5) The contractor will furnish all information and reports required by Executive Order 11246 of September 24, 1965, and by rules, regulations, and orders of the Secretary of Labor, or pursuant thereto, and will permit access to contractor's books, records, and accounts by the administering agency and the Secretary of Labor for purposes of investigation to ascertain compliance with such rules, regulations, and orders.
  - (6) In the event of the contractor's noncompliance with the nondiscrimination clauses of this contract or with any of the said rules, regulations, or orders, this contract may be cancelled, terminated, or suspended in whole or in part and the contractor may be declared ineligible for further Government contracts or federally assisted construction contracts in accordance with procedures authorized in Executive Order 11246 of September 24, 1965, and such other sanctions as may be imposed and remedies invoked as provided in Executive Order 11246 of September 24, 1965, or by rule, regulation, or order of the Secretary of Labor, or as otherwise provided by law.
  - (7) The contractor will include the portion of the sentence immediately preceding paragraph (1) and the provisions of paragraphs (1) through (7) in every subcontract or purchase order unless exempted by rules, regulations, or orders of the Secretary of Labor issued pursuant to section 204 of Executive Order 11246 of September 24, 1965, so that such provisions will be binding upon each subcontractor or vendor. The contractor will take such action with respect to any subcontract or purchase order as the administering agency may direct as a means of enforcing such provisions, including sanctions for noncompliance: Provided, however, that in the event a contractor becomes involved in, or is threatened with, litigation with a subcontractor or vendor as a result of such direction by the administering agency, the contractor may request the United States to enter into such litigation to protect the interests of the United States.
- 2.) **Small and minority business, women's business enterprises, and labor surplus area firms (2 C.F.R. § 200.321).** The County is required to take affirmative steps to assure that minority businesses, women's business enterprises, and labor surplus area firms are used when possible. This includes requiring the prime contractor, if subcontracts are to be let in the performance of this contract, to itself take affirmative steps in letting the subcontract. Accordingly, if subcontracts are to be let in the performance of this contract, the contractor must take affirmative steps in the letting of the subcontract(s), which must include:
- (a) placing qualified small and minority businesses and women's business enterprises on solicitation lists;
  - (b) assuring that small and minority businesses, and women's business enterprises are solicited whenever they are potential sources;
  - (c) dividing total requirements, when economically feasible, into smaller tasks or quantities to permit maximum participation by small and minority businesses, and women's business enterprises; and
  - (d) using the services and assistance, as appropriate, of such organizations as the Small Business Administration and the Minority Business Development Agency of the Department of Commerce.

In accordance with FEMA procurement guidance:

## GENERAL PROVISIONS

### INFORMATION TO BID GALVESTON COUNTY MUD #12 EMERGENCY GENERATOR GALVESTON COUNTY, TEXAS

A small business is a business that is independently owned and operated, not dominant in the field of operation in which it is bidding on Galveston County contracts and qualified as a small business under the Small Business Administration criteria and size standards at 13 C.F.R. Part 121.

A women's business enterprise is a business enterprise that is: (a) at least 51 percent owned by one or more women or, in the case of a publicly owned business, at least 51 percent of the stock is owned by one or more women; and (b) whose management and daily operations are controlled by one or more women.

A minority business is a business that is (a) at least 51 percent owned by one or more minority group members or, in the case of a publicly owned business, at least 51 percent of the stock is owned by one or more minority group members; and (b) whose management and daily operations are controlled by one or more minority group members.

- 3.) **Davis-Bacon Act as amended (40 U.S.C. 3141-3148).** When required by Federal program legislation, all prime construction contracts in excess of \$2,000 must include a provision for compliance with the Davis-Bacon Act as supplemented by the Department of Labor regulations (29 C.F.R. Part 5, "Labor Standards Provisions Applicable to Contracts Covering Federally Financed and Assisted Construction"). In accordance with the statute, contractor must be required to pay wages to laborers and mechanics at a rate not less than the prevailing wages specified in a wage determination made by the Secretary of Labor. In addition, contractors must be required to pay wages not less than once a week. The non-Federal entity (the County) must place a copy of the current prevailing wage determination issued by the Department of Labor in each solicitation. The decision to award a contract or subcontract must be condition upon the acceptance of the wage determination. The non-Federal entity must report all suspected or reported violations to the Federal awarding agency. The contract must also include a provision for compliance with the Copeland Anti-Kickback Act (40 U.S.C. § 3145) as supplemented by the Department of Labor regulations (29 C.F.R. Part 3, "Contractors and Subcontractors on Public Building or Public Work Financed in Whole or in Part by Loans or Grants from the United States").
- 4.) **Compliance with the Copeland "Anti-Kickback" Act.** Contractor is prohibited from inducing, by any means, any person employed in the construction, completion, or repair of public work, to give up any part of the compensation to which the person is otherwise entitled. The non-Federal entity must report all suspected or reported violations to the Federal awarding agency. "Whoever, by force, intimidation, or threat of procuring dismissal from employment, or by any other manner whatsoever induces any person employed in the construction, prosecution, completion or repair of any public building, public work, or building or work financed in whole or in part by loans or grants from the United States, to give up any part of the compensation to which he is entitled under his contract of employment, shall be fined under this title [Title 18, U.S.C.] or imprisoned not more than five years, or both." 18 U.S.C. § 874.
  - (a) Contractor shall comply with 18 U.S.C. § 874, 40 U.S.C. § 3145, and the requirements of 29 C.F.R. Part 3 as may be applicable, which are incorporated by reference into this contract.
  - (b) The contractor or subcontractor shall insert in any subcontracts the clause above and such other clauses as the Federal awarding agency may be appropriate instructions require, and also a clause requiring the subcontractors to include these clauses in any lower tier subcontracts. The prime contractor shall be responsible for the compliance by any subcontractor or lower tier subcontractor with all of these contract clauses.
  - (c) Breach. A breach of the contract clause above may be grounds for termination of the contract, and for debarment as a contractor and subcontractor as provided in 29 C.F.R. § 5.12.
- 5.) **Contract Work Hours and Safety Standards Act.**
  - (a) Where applicable, all contracts awarded by the County in excess of \$100,000 that involve the employment of mechanics or laborers must include a provision for compliance with 40 U.S.C. §§ 3702 and 3704, as supplemented by the Department of Labor regulations at 29 C.F.R. Part 5. Under 40 U.S.C. § 3702 of the

## GENERAL PROVISIONS

### INFORMATION TO BID GALVESTON COUNTY MUD #12 EMERGENCY GENERATOR GALVESTON COUNTY, TEXAS

Contract Work Hours and Safety Standards Act, each contractor must be required to compute the wages of every mechanic and laborer on the basis of a standard work week of 40 hours. Work in excess of the standard work week is permissible provided that the worker is compensated at a rate of not less than one and a half times the basic rate of pay for all hours worked in excess of 40 hours in the work week. The requirements of 40 U.S.S. 3704 are applicable to construction work and provide that no laborer or mechanic must be required to work in surroundings or under working conditions which are unsanitary, hazardous or dangerous. These requirements do not apply to the purchase of supplies or material or articles ordinarily available on the open market, or contractors for transportation or transmission of intelligence.

(b) **Compliance with the Contract Work Hours and Safety Standards Act.**

- (1) Overtime requirements. No contractor or subcontractor contracting for any part of the contract work which may require or involve the employment of laborers or mechanics shall require or permit any such laborer or mechanic in any workweek in which he or she is employed on such work to work in excess of forty hours in such workweek unless such laborer or mechanic receives compensation at a rate not less than one and one-half times the basic rate of pay for all hours worked in excess of forty hours in such workweek.
- (2) Violation; liability for unpaid wages; liquidated damages. In the event of any violation of the clause set forth in paragraph (1) of this subsection the contractor and any subcontractor responsible therefor shall be liable for the unpaid wages. In addition, such contractor and subcontractor shall be liable to the United States (in the case of work done under contract for the District of Columbia or a territory, to such District or to such territory), for liquidated damages. Such liquidated damages shall be computed with respect to each individual laborer or mechanic, including watchmen and guards, employed in violation of the clause set forth in paragraph (1) of this subsection, in the sum of \$10 for each calendar day on which such individual was required or permitted to work in excess of the standard work week of forty hours without payment of the overtime wages required by the clause set forth in paragraph (1) of this subsection.
- (3) Withholding for unpaid wages and liquidated damages. The awarding Federal agency, State agency, or the County shall upon its own action or upon written request of an authorized representative of the Department of Labor withhold or cause to be withheld, from any moneys payable on account of work performed by the contractor or subcontractor under any such contract or any other Federal contract with the same prime contractor, or any other federally-assisted contract subject to the Contract Work Hours and Safety Standards Act, which is held by the same prime contractor, such sums as may be determined to be necessary to satisfy any liabilities of such contractor or subcontractor for unpaid wages and liquidated damages as provided in the clause set forth in paragraph (2) of this subsection.
- (4) Subcontracts. The contractor or subcontractor shall insert in any subcontracts the clauses set forth in paragraph (1) through (4) of this subsection and also a clause requiring the subcontractors to include these clauses in any lower tier subcontracts. The prime contractor shall be responsible for compliance by any subcontractor or lower tier subcontractor with the clauses set forth in paragraphs (1) through (4) of this subsection.

6.) **Rights to Inventions Made Under a Contractor Agreement.**

- (a) If the Federal award meets the definition of "funding agreement" under 37 C.F.R. § 401.2(a) and the recipient or subrecipient wishes to enter into a contract with a small business firm or nonprofit organization regarding the substitution of parties, assignment or performance of experimental, developmental, or research work under the "funding agreement," the recipient or subrecipient must comply with the requirements of 37 C.F.R. Part 401, "Rights to Inventions Made by Nonprofit Organizations and Small Business Firms Under Government Grants, Contracts and Cooperative Agreements," and any implementing regulations issued by the awarding agency.

## GENERAL PROVISIONS

### INFORMATION TO BID GALVESTON COUNTY MUD #12 EMERGENCY GENERATOR GALVESTON COUNTY, TEXAS

- (b) Stafford Act Disaster Grants. This requirement does not apply to Public Assistance, Hazard Mitigation Grant Program, Crisis Counseling Assistance and Training Grant program, Disaster Case Management Grant Program, and Federal Assistance to Individuals and Households – Other Needs Assistance Grant Program, as FEMA awards under these programs do not meet the definition of “funding agreement.”
- (c) The regulations and 37 C.F.R. § 401.2(a) currently defines “funding agreement” as any contract, grant, or cooperative agreement entered into between any Federal agency, other than the Tennessee Valley Authority, and any contractor for the performance of experimental, developmental, or research work funded in whole or in part by the Federal government. This term also includes any assignment, substitution of parties, or subcontract of any type entered into for the performance of experimental, developmental, or research work under a funding agreement as defined in the first sentence of this paragraph.
- 7.) **Clean Air Act (42 U.S.C. §§ 7401 – 7671q) and the Federal Water Pollution Control Act 933 U.S.C. §§ 1251-1387), as amended.**
- (a) The contractor agrees to comply with all applicable standards, orders or regulations issued pursuant to the Clean Air Act, as amended, 42 U.S.C. § 7401, et seq., and agrees to comply with all applicable standards, orders, or regulations issued pursuant to the Federal Water Pollution Control Act, as amended, 33 U.S.C. § 1251, et seq.
- (b) The contractor agrees to report each violation of the Clean Air Act and/or the Federal Water Pollution Control Act to the Federal awarding agency, the State agency administering the grant, and the Regional Office of the Environmental Protection Agency (EPA) and understands and agrees that the Federal awarding agency, the State agency, and the EPA will, in turn, report each violation as required to assure notification to Galveston County, the Federal Emergency Management Agency, and the appropriate EPA Regional Office.
- 8.) **Debarment and Suspension (Executive Orders 12549 and 12689).** A contract award must not be made to parties listed on the government-wide exclusions in the System for Award Management (SAM), in accordance with the OMB guidelines at 2 C.F.R. Part 180 that implement Executive Orders 12549 and 12689. The Contractor is required to verify that none of the contractor, its principals (defined at 2 C.F.R. § 180.995), or its affiliates (defined at 2 C.F.R. § 180.905) are excluded (defined at 2 C.F.R. § 180.940) or disqualified (defined at 2 C.F.R. § 180.935).
- Contractor must comply with 2 C.F.R. Part 180, Subpart C and 2 C.F.R. Part 3000, Subpart C, and must include a requirement to comply with these regulations in any lower tier covered transaction it enters into. Bidder agrees to comply with the requirements of 2 C.F.R. Part 180, Subpart C, and 2 C.F.R. Part 3000, Subpart C, while this offer is valid and through the period of any contract that may arise from this offer. The Bidder further agrees to include a provision requiring such compliance in its lower tier covered transactions.
- 9.) **Domestic Preferences for Procurements (2 C.F.R. § 200.323)**
- (a) As appropriate and to the extent consistent with law, the non-Federal entity should, to the greatest extent practicable under a Federal award, provide a preference for the purchase, acquisition, or use of goods, products, or materials produced in the United States (including but not limited to iron, aluminum, steel, cement, and other manufactured products). The requirements of this section must be included in all subawards including all contracts and purchase orders for work or products under this award.
- (c) For purposes of this section:
- (1) “Produced in the United States” means, for iron and steel products, that all manufacturing processes, from the initial melting stage through the application of coatings, occurred in the United States.



## GENERAL PROVISIONS

### INFORMATION TO BID GALVESTON COUNTY MUD #12 EMERGENCY GENERATOR GALVESTON COUNTY, TEXAS

(2) "Manufactured products" means items and construction materials composed in whole or in part of non-ferrous metals such as aluminum; plastics and polymer-based products such as polyvinyl chloride pipe; aggregates such as concrete; glass, including optical fiber; and lumber.

#### 10.) Prohibition on Certain Telecommunications and Video Surveillance Services or Equipment. (2 C.F.R. § 200.216)

(a) Recipients and subrecipients are prohibited from obligating or expending loan or grant funds to:

(1) Procure or obtain;

(2) Extend or renew a contract to procure or obtain; or

(2) Enter into a contract (or extend or renew a contract) to procure or obtain equipment, services, or systems that uses covered telecommunications equipment or services as a substantial or essential component of any system, or as critical technology as part of any system.

As described in Public Law 115-232, section 889, covered telecommunications equipment is telecommunications equipment produced by Huawei Technologies Company or ZTE Corporation (or any subsidiary or affiliate of such entities).

(i) For the purpose of public safety, security of government facilities, physical security surveillance of critical infrastructure, and other national security purposes, video surveillance and telecommunications equipment produced by Hytera Communications Corporation, Hangzhou Hikvision Digital Technology Company, or Dahua Technology Company (or any subsidiary or affiliate of such entities).

(ii) Telecommunications or video surveillance services provided by such entities or using such equipment.

(iii) Telecommunications or video surveillance equipment or services produced or provided by an entity that the Secretary of Defense, in consultation with the Director of the National Intelligence or the Director of the Federal Bureau of Investigation, reasonably believes to be an entity owned or controlled by, or otherwise connected to, the government of a covered foreign country.

(b) In implementing the prohibition under Public Law 115-232, section 889 of the John S. McCain National Defense Authorization Act for Fiscal Year 2019 (FY 2019 NDAA), Pub. L. No. 115-232 (2018) and 2 C.F.R. 200.216, 200.327, 200.471, and Appendix II to C.F.R. Part 200, subsection (f), paragraph (1), heads of executive agencies administering loan, grant, or subsidy programs shall prioritize available funding and technical support to assist affected businesses, institutions and organizations as is reasonably necessary for those affected entities to transition from covered communications equipment and services, to procure replacement equipment and services, and to ensure that communications service to users and customers is sustained.

(c) See Public Law 115-232, section 889 for additional information.

(d) See also § 200.471.

#### 11.) Procurement of Recovered Materials (2 C.F.R. § 200.323)

## GENERAL PROVISIONS

### INFORMATION TO BID GALVESTON COUNTY MUD #12 EMERGENCY GENERATOR GALVESTON COUNTY, TEXAS

- (a.) A non-Federal entity that is a State agency or agency of a political subdivision of the State and its contractors must comply with Section 6002 of the Solid Waste Disposal Act, Public Law No. 89-272 (1965) (codified as amended by the Resource Conservation and Recovery Act at 42 U.S.C. § 6962).

The requirements of Section 6002 include procuring only items designated in guidelines of the Environmental Protection Agency (EPA) at 40 CFR part 247 that contain the highest percentage of recovered materials practicable, consistent with maintaining a satisfactory level of competition, where the purchase price of the item exceeds \$10,000 or the value of the quantity acquired during the preceding fiscal year exceeded \$10,000; procuring solid waste management services in a manner that maximizes energy and resource recovery; and establishing an affirmative procurement program for procurement of recovered materials identified in the EPA guidelines.

- (b.) In the performance of this contract, the contractor shall make maximum use of products containing recovered materials that are EPA-designated items unless the product cannot be acquired:

- (1) Competitively within a timeframe providing for compliance with the contract performance schedule;
- (2) Meeting contract performance requirements; or
- (3) At a reasonable price.

- (e) Information about this requirement is available at EPA's Comprehensive Procurement Guidelines website, <http://www.epa.gov/cpg/>. The list of EPA-designated items is available at <https://www.epa.gov/cpg/products.htm>.

In the event of any discrepancy between the provisions in this Section 63 of General Provisions and provisions on the same subject elsewhere within this procurement, the most stringent shall control.

#### 70. SECTION 3 CLAUSE (§ 135.38) – HOUSING AND URBAN DEVELOPMENT (HUD)

##### SECTION 3 ACT OF 1968 (12 U.S.C. 1701u and 24 CFR Part 135)

##### **DISCLAIMER: THIS CONTRACT [IS NOT] HUD-FUNDED AND THEREFORE SECTION 3 [DOES NOT] APPLY TO THIS CONTRACT.**

For any HUD-funded contract with a value in excess of \$100,000, Contractor and subcontractors must comply with the Section 3 Act of 1968. The purpose of Section 3 is to ensure that employment and other economic opportunities generated by certain HUD financial assistance shall, to the greatest extent feasible, and consistent with existing Federal, State and local laws and regulations, be directed to low- and very low-income persons, particularly those who are recipients of government assistance for housing, and to business concerns which provide economic opportunities to low- and very low-income persons.

Section 3 is triggered when the normal completion of construction and rehabilitation projects creates the need for new employment, contracting, or training opportunities.

For any Section 3 Covered Contracts, Contractor and subcontractors must comply with all provisions of the Section 3 Act of 1968, contained under 24 CFR 135. Contractor and subcontractors must include the Section 3 Clause in its entirety, in every subcontract subject to compliance with regulations in 24 CFR 135. Contractor and subcontractors must assure that to the greatest extent feasible, contracts for work to be performed in connection with the project are awarded to Section 3 Business Concerns. Contractor and subcontractors must post

## GENERAL PROVISIONS

### INFORMATION TO BID GALVESTON COUNTY MUD #12 EMERGENCY GENERATOR GALVESTON COUNTY, TEXAS

all new hire opportunities with the local Workforce Solutions Center and/or Work-in-Texas, in accordance with 24 CFR 135. The minimum numeric goals for Section 3 utilization are:

- 30 percent of total number of new hires are Section 3 Residents (i.e. 1 out of 3 new hires); 10 percent of all awarded construction contracts are awarded to Section 3 Business Concerns;
- 3 percent of all awarded non-construction contracts are awarded to Section 3 Business Concerns.

A. The work to be performed under this contract is subject to the requirements of section 3 of the Housing and Urban Development Act of 1968, as amended, 12 U.S.C. 1701u (section 3). The purpose of section 3 is to ensure that employment and other economic opportunities generated by HUD assistance or HUD-assisted projects covered by section 3, shall, to the greatest extent feasible, be directed to low- and very low-income persons, particularly persons who are recipients of HUD assistance for housing.

B. The parties to this contract agree to comply with HUD's regulations in 24 CFR part 135, which implement section 3. As evidenced by their execution of this contract, the parties to this contract certify that they are under no contractual or other impediment that would prevent them from complying with the part 135 regulations.

C. The contractor agrees to send to each labor organization or representative of workers with which the contractor has a collective bargaining agreement or other understanding, if any, a notice advising the labor organization or workers' representative of the contractor's commitments under this section 3 clause, and will post copies of the notice in conspicuous places at the work site where both employees and applicants for training and employment positions can see the notice. The notice shall describe the section 3 preference, shall set forth minimum number and job titles subject to hire, availability of apprenticeship and training positions, the qualifications for each; and the name and location of the person(s) taking applications for each of the positions; and the anticipated date the work shall begin.

D. The contractor agrees to include this section 3 clause in every subcontract subject to compliance with regulations in 24 CFR part 135, and agrees to take appropriate action, as provided in an applicable provision of the subcontract or in this section 3 clause, upon a finding that the subcontractor is in violation of the regulations in 24 CFR part 135. The contractor will not subcontract with any subcontractor where the contractor has notice or knowledge that the subcontractor has been found in violation of the regulations in 24 CFR part 135.

E. The contractor will certify that any vacant employment positions, including training positions, that are filled (1) after the contractor is selected but before the contract is executed, and (2) with persons other than those to whom the regulations of 24 CFR part 135 require employment opportunities to be directed, were not filled to circumvent the contractor's obligations under 24 CFR part 135.

F. Noncompliance with HUD's regulations in 24 CFR part 135 may result in sanctions, termination of this contract for default, and debarment or suspension from future HUD assisted contracts.

G. With respect to work performed in connection with section 3 covered Indian housing assistance, section 7(b) of the Indian Self-Determination and Education Assistance Act (25 U.S.C. 450e) also applies to the work to be performed under this contract. Section 7(b) requires that to the greatest extent feasible (i) preference and opportunities for training and employment shall be given to Indians, and (ii) preference in the award of contracts and sub contracts shall be given to Indian organizations and Indian-owned Economic

## GENERAL PROVISIONS

### INFORMATION TO BID GALVESTON COUNTY MUD #12 EMERGENCY GENERATOR GALVESTON COUNTY, TEXAS

Enterprises. Parties to this contract that are subject to the provisions of section 3 and section 7(b) agree to comply with section 3 to the maximum extent feasible, but not in derogation of compliance with section

#### 71. REQUIRED CONTRACT PROVISIONS

The Part 200 Uniform Requirements require that non-Federal entities' contracts contain the applicable provisions described in Appendix II to Part 200 — "Contract Provisions for Non-Federal Entity Contracts Under Federal Awards." Violations of law will be referred to the proper authority in the applicable jurisdiction. All Prime Contractors awarded contracts by Galveston County which are federally funded, in whole or in part, are required to comply with the provisions below. Additionally, Prime Contractors with Galveston County are required to include the provisions below in any contracts executed with subcontractors performing the scope of work and shall pass these requirements on to its subcontractors and third-party contractors, as applicable. In addition to other provisions required by the relevant Federal agency, State of Texas, or Galveston County, all contracts made by Galveston County under the Federal award shall contain provisions covering the following, as applicable.

#### **ACCESS TO RECORDS & RECORD RETENTION (2 CFR 200.336)**

Contractor must provide Galveston County, the State of Texas, the Texas General Land Office (GLO), the U.S. Department of Housing and Urban Development (HUD), the FEMA Administrator, the Inspectors General, the Comptroller General of the United States, or any of their pass-through entities or authorized representatives access to any books, documents, papers, and records of the Contractor and its subcontractors which are directly pertinent to this contract/project for the purposes of making/responding to audits, examinations, excerpts, and transcriptions. The right also includes timely and reasonable access to the Contractor's personnel for the purpose of interview and discussion related to such documents. Contractor must keep records within Galveston County or note in bid that records will be available within the boundaries of Galveston County to those representatives within twenty-four (24) hours of request by the County. Contractor must maintain all records pertaining to the project for seven (7) years after receiving final payment and after all other pending matters have been closed.

#### **ACCESSIBILITY (24 CFR 570.614) & SECTION 504 (29 U.S.C. Section 794 and 24 CFR Parts 8-9)**

Contractor shall comply with all federal, state and local laws and regulations which prohibit recipients of federal funding from discriminating against individuals with disabilities. Applicable laws and regulations with which Contractor shall comply shall include, but are not limited to, the following: Section 504 of the Rehabilitation Act of 1973 (29 U.S.C. Section 794) (24 CFR Parts 8-9); Title II of the Americans with Disabilities Act of 1990; the Architectural Barriers Act of 1968 (42 U.S.C. 4151-4157); the Uniform Federal Accessibility Standards (Appendix A to 24 CFR Part 40 and Appendix A to 41 CFR Part 101-19, subpart 101-19.6); the Americans with Disabilities Act (42 U.S.C. 12131; 47 U.S.C. 155, 201, 218, and 225); Texas Administrative Code, Title 10, Chapter 60, Subchapter (B) the Texas Architectural Barriers Act (TABAA); the Architectural Barriers (AB) Rules; and the Texas Accessibility Standards (TAS).

#### **BYRD ANTI-LOBBYING AGREEMENT (2 CFR 200 APPENDIX II (J) AND 24 CFR 570.303)**

Pursuant to 31 U.S.C.A. § 1352 (2003), if at any time during the contract term funding to contract exceeds \$100,000.00, the Contractor shall file with the County the Federal Standard Form LLL titled "Disclosure Form to Report Lobbying." Each tier certifies to the tier above that it will not and has not used Federal appropriated funds to pay any person or organization for influencing or attempting to influence an officer or employee of any agency, a member of Congress, officer or employee of Congress, or an employee of a member of Congress in connection with obtaining any Federal contract, grant or any other award covered by 31 U.S.C. 1352. Each tier must also disclose any lobbying with non-Federal funds that takes place in connection with obtaining any Federal award. Such disclosures are forwarded from tier to tier up to the non-federal award.

#### **CIVIL RIGHTS ACT OF 1964 (Title VI 42 U.S.C. § 2000d)**

Title VI of the Civil Rights Act of 1964, Section 109 of the Community Development Act of 1974, Section 504 of the Rehabilitation Act of 1973 (29 U.S.C. Section 794) (24 CFR Parts 8-9), and the Americans with Disabilities Act of

## GENERAL PROVISIONS

### INFORMATION TO BID GALVESTON COUNTY MUD #12 EMERGENCY GENERATOR GALVESTON COUNTY, TEXAS

1990 (42 U.S.C. 12131; 47 U.S.C. 155, 201, 218, and 225), prohibits Contractors from excluding or denying individuals benefits or participation in this project on the basis of race, color, religion, national origin, sex, or disability. The provisions require that no person in the United States shall on the ground of race, color, religion, national origin, sex, or disability be excluded from participation in, be denied the benefits of, or be subjected to discrimination under any program or activity funded in whole or in part with community development funds made available pursuant to these Acts.

For purposes of this Part “program or activity” is defined as any function conducted by an identifiable administrative unit of the recipient, or private Contractor receiving community development funds or loans from the recipient. “Funded in whole or in part with community development funds” means that community development funds in any amount in the form of grants or proceeds from HUD guaranteed loans have been transferred by the recipient or a subrecipient to an identifiable administrative unit and disbursed in a program or activity. A Contractor may not, under any program or activity to which the regulations of this Part may apply directly or through contractual or other arrangements, on the grounds of race, color, national origin, or sex:

- a. Deny any facilities, services, financial aid or other benefits provided under the program or activity;
- b. Provide any facilities, services, financial aid or other benefits, which are different, or are provided in a different form from that provided to others under the program or activity;
- c. Subject to segregated or separate treatment in any facility in, or in any matter of process related to receipt of any service or benefit under the program or activity;
- d. Restrict in any way access to, or in the enjoyment of any advantage or privilege enjoyed by others in connection with facilities, services, financial aid or other benefits under the program or activity;
- e. Treat an individual differently from others in determining whether the individual satisfies any admission, enrollment, eligibility, membership, or other requirement or condition which the individual must meet in order to be provided any facilities, services or other benefit provided under the program or activity; and
- f. Deny an opportunity to participate in a program or activity as an employee.

#### **CLEAN AIR ACT (2 CFR Appendix II to Part 200 (G))**

Pursuant to 2 CFR Appendix II to Part 200 (G), if at any time during the contract term funding to contract exceeds \$150,000, the Contractor must comply with all provisions of the Clean Air Act (42 U.S.C. 85) and Section 308 of the Federal Water Pollution Control Act (33 U.S.C. 1251-1387), as amended. Contractors securing a contract in excess of \$150,000.00 shall not expend such funds by making use of subcontracting with facilities included on the Environmental Protection Agency List of Violating Facilities as per Section 306 of the Clean Air Act, Section 508 of The Clean Water Act, Executive Order 11738, and Environmental Protection Agency Regulations 40 CFR. For any subcontractors under this contract receiving contracts in excess of \$150,000 Contractor is required to include a provision that requires compliance with all applicable standards, orders or regulations issued pursuant to the Clean Air Act (42 U.S.C. 85) and Section 308 Federal Water Pollution Control Act as amended (33 U.S.C. 1251-1387). Violations shall be reported to the Federal awarding agency and the Regional Office of the Environmental Protection Agency (EPA).

#### **CONTRACT WORK HOURS AND SAFETY STANDARDS ACT (2 CFR Appendix II to Part 200 (E))**

Pursuant to 2 CFR 200 Appendix II (E), if at any time during the contract term funding to contract exceeds \$100,000, the Contractor must comply with the Contract Work Hours and Safety Standards Act (40 U.S.C. 3701-3708). Where applicable, all contracts awarded in excess of \$100,000 that involve the employment of mechanics or laborers must include a provision for compliance with 40 U.S.C. 3702 and 3704, as supplemented by Department of Labor regulations (29 CFR Part 5). Under 40 U.S.C. 3702 of the Act, each contractor must be required to compute the wages

## GENERAL PROVISIONS

### INFORMATION TO BID GALVESTON COUNTY MUD #12 EMERGENCY GENERATOR GALVESTON COUNTY, TEXAS

of every mechanic and laborer on the basis of a standard work week of 40 hours. Work in excess of the standard work week is permissible provided that the worker is compensated at a rate of not less than one and a half times the basic rate of pay for all hours worked in excess of 40 hours in the work week. The requirements of 40 U.S.C. 3704 are applicable to construction work and provide that no laborer or mechanic must be required to work in surroundings or under working conditions which are unsanitary, hazardous or dangerous. These requirements do not apply to the purchases of supplies or materials or articles ordinarily available on the open market, or contracts for transportation or transmission of intelligence

- (1) Overtime Requirements – No contractor or subcontractor contracting for any part of the contract work which may require or involve the employment of laborers or mechanics shall require or permit any such laborer or mechanic in any workweek in which he or she is employed on such work to work in excess of forty hours in such workweek unless such laborer or mechanic receives compensation at a rate not less than one and one-half times the basic rate of pay for all hours worked in excess of forty hours in such workweek.
- (2) Violation; liability for unpaid wages; liquidated damages. In the event of any violation of the clause set forth in paragraph (1) of this section the contractor and any subcontractor responsible therefore shall be liable for the unpaid wages. In addition, such contractor and subcontractor shall be liable to the United States (in the case of work done under contract for the District of Columbia or a territory, to such District or to such territory), for liquidated damages. Such liquidated damages shall be computed with respect to each individual laborer or mechanic, including watchmen and guards, employed in violation of the clause set forth in paragraph (1) of this section, in the sum of \$10 for each calendar day on which such individual was required or permitted to work in excess of the standard workweek of forty hours without payment of the overtime wages required by the clause set forth in paragraph (1) of this section.
- (3) Withholding for unpaid wages and liquidated damages. The (write in the name of the Federal agency or the loan or grant recipient) shall upon its own action or upon written request of an authorized representative of the Department of Labor withhold or cause to be withheld, from any moneys payable on account of work performed by the contractor or subcontractor under any such contract or any other Federal contract with the same prime contractor, or any other federally-assisted contract subject to the Contract Work Hours and Safety Standards Act, which is held by the same prime contractor, such sums as may be determined to be necessary to satisfy any liabilities of such contractor or subcontractor for unpaid wages and liquidated damages as provided in the clause set forth in paragraph (2) of this section.
- (4) Subcontracts. The contractor or subcontractor shall insert in any subcontracts the clauses set forth in paragraph (1) through (4) of this section and also a clause requiring the subcontractors to include these clauses in any lower tier subcontracts. The prime contractor shall be responsible for compliance by any subcontractor or lower tier subcontractor with the clauses set forth in paragraphs (1) through (4) of this section.

#### **COPELAND “ANTI-KICKBACK” ACT (40 U.S.C. 3145)**

Pursuant to 2 CFR Appendix II to Part 200 (D), Contractor must comply with the provisions of the Copeland “Anti-Kickback” Act (40 U.S.C. 3145), as supplemented by Department of Labor regulations (29 CFR Part 3, “Contractors and Subcontractors on Public Building or Public Work Financed in Whole or in Part by Loans or Grants from the United States”). The Act provides that each vendor, contractor, subcontractor, or subrecipient shall be prohibited from inducing, by any means, any person employed in the construction, completion, or repair of public work, to give up any part of the compensation to which he or she is otherwise entitled. Contractor shall include this provision in all contracts between itself and any subcontractors in connection with the services performed under this Contract. Galveston County shall report all suspected or reported violations to the Federal awarding agency.

## GENERAL PROVISIONS

### INFORMATION TO BID GALVESTON COUNTY MUD #12 EMERGENCY GENERATOR GALVESTON COUNTY, TEXAS

#### **COST PLUS CONTRACTING PROHIBITED (2 CFR 200.323(D))**

Cost-plus-a-percentage-of-cost (CPPC) contracts are prohibited by 2 CFR 200.323(d). The cost plus a percentage of cost and percentage of construction cost methods of contracting must never be used, including in subcontracts and third-party contracts. A cost-plus contract is one that is structured to pay the contractor or subcontractor their actual costs incurred, plus a fixed percent for profit or overhead.

A cost-plus-a-percentage-of-cost (CPPC) contract is a contract containing some element that obligates Galveston County or Contractor to pay a contractor or subcontractor an amount (in the form of either profit or cost), undetermined at the time the contract was made, to be incurred in the future, and based on a percentage of future costs. The inclusion of an overall contract ceiling price does not make these forms of contracts acceptable. This type of contract is prohibited because there is no incentive for the contractor or subcontractor to keep its incurred costs low. Instead, there is a reverse incentive for the contractor or subcontractor to continue to incur additional costs in order to continue to drive the percentage of cost up. In other words, increased spending by the contractor will yield higher profits. This prohibition applies to all work, regardless of the circumstances, and applies to subcontracts of the contractor cases where the prime contract is a cost-reimbursement type contract or subject to price redetermination.

#### **DAVIS BACON AND RELATED ACTS (2 CFR 200 APPENDIX II (D))**

Pursuant to 2 CFR 200 Appendix II (D), for any contract in excess of \$2,000, Contractor must comply with the Davis Bacon and Related Acts, and the requirements shall be applicable to any labor or mechanic work completed in connection with this contract which fall under the Davis Bacon Act. Any Contractor awarded under this contract is required to comply with the Davis Bacon Act (40 U.S.C. 3141-3144, and 3146-3148) as supplemented by Department of Labor regulations (29 CFR part 5) and with the Copeland "Anti-Kickback" Act (18 U.S.C. 874; 40 U.S.C. 3145) as supplemented in Department of Labor regulations (29 CFR part 3). In accordance with the statute, Contractors are required to pay wages to laborers and mechanics at a rate not less than the prevailing wages specified in a wage determination made by the Secretary of Labor. In addition, contractors must be required to pay wages not less than once a week.

If Davis Bacon is applicable, Galveston County will provide a copy of the current Davis Bacon Wage Decision with the solicitation. The decision to award a contract or subcontract shall be conditioned upon the acceptance of the wage determination. Contractor shall submit certified payroll of contractor and all subcontractors on a weekly basis in the format required by the County. At County's request, Contractor shall make available and shall require its subcontractors to make available, copies of cancelled checks and check stubs for comparisons by the County or its agents.

Such laborers and mechanics shall be paid the appropriate wage rate and fringe benefits on the wage determination for the classification of work actually performed, without regard to skill, except as provided in 29 CFR Part 5.5(a)(4). Laborers or mechanics performing work in more than one classification may be compensated at the rate specified for each classification for the time actually worked therein: Provided that the employer's payroll records accurately set forth the time spent in each classification in which work is performed. The wage determination (including any additional classification and wage rates conformed under 29 CFR Part 5.5(a)(1)(ii)) and the Davis Bacon poster (WH-1321) shall be posted at all times by the contractor and its subcontractors at the site of the work in a prominent and accessible place where it can be easily seen by the workers.

Each payroll submitted shall be accompanied by a "Statement of Compliance," signed by the contractor or subcontractor or his or her agent who pays or supervises the payment of the persons employed under the contract and shall certify the following. The Statement of Compliance can be found on page 2 of the WH-347 form, and/or additional certifications of compliance may be required by Galveston County. Any Statement of Compliance is subject to the penalties provided by 18 U.S.C. § 1001, namely, a fine, possible imprisonment of not more than 5 years, or both. Accordingly, the party signing the statement should have knowledge of the facts represented as true.

## GENERAL PROVISIONS

### INFORMATION TO BID GALVESTON COUNTY MUD #12 EMERGENCY GENERATOR GALVESTON COUNTY, TEXAS

Contractor must include this provision in all contracts between itself and any subcontractors in connection with the services performed under this Contract. Galveston County shall report all suspected or reported violations to the Federal awarding agency, as applicable.

#### **DEBARMENT / SUSPENSION AND VOLUNTARY EXCLUSION (2 CFR Appendix II to Part 200 (I))**

Pursuant to 2 CFR Appendix II to Part 200 (I), a Contract meeting the definition in 2 C.F.R. § 180.220 must not be made to parties listed on the System for Award Management (SAM) Exclusion lists, in accordance with the OMB guidelines at 2 CFR 180 that implement Executive Orders 12549 (3 CFR part 1986 Comp., p. 189) and 12689 (3 CFR part 1989 Comp., p. 235), "Debarment and Suspension." SAM Exclusions contains the names of parties debarred, suspended, or otherwise excluded by agencies, as well as parties declared ineligible under statutory or regulatory authority other than Executive Order 12549.

Pursuant to Executive Orders 12549 and 12689, a contract award shall not be made to parties listed on the government-wide exclusions in the System for Award Management (SAM), in accordance with the OMB guidelines at 2 CFR 180 that implement Executive Orders 12549 (3 CFR part 1986 Comp., p. 189) and 12689 (3 CFR part 1989 Comp., p. 235). SAM Exclusions contains the names of parties debarred, suspended, or otherwise excluded by agencies, as well as parties declared ineligible under statutory or regulatory authority other than Executive Order 12549. A contract award must not be made to parties listed in the SAM Exclusions. SAM exclusions can be accessed at [www.sam.gov](http://www.sam.gov).

Additionally, no contracts shall be awarded to any Contractor that has been debarred, suspended, or otherwise excluded from or ineligible for participation in any federal programs, including but not limited to the Department of Health and Human Work (DHHS), Office of Inspector General (OIG) - List of Excluded Individuals & Entities (LEIE); U.S. General Services Administration (GSA) – Excluded Parties List System (EPLS); All States (50) Health & Human Work Commission Medicaid OIG Sanction List; Government Terrorist Watch List (OFAC / Patriot Act); Department of Commerce, Bureau of Industry and Security, Denied Persons List; and Department of Homeland Security, Immigration and Customs Enforcement (ICE) Most Wanted.

This contract is a covered transaction for purposes of compliance with Title 2 C.F.R. parts 180 and 3000, and as such the Contractor is required to verify that none of the contractor, its principals (as defined at 2 C.F.R. § 180.995), or its affiliates (as defined at 2 C.F.R. § 180.905) are excluded (as defined at 2 C.F.R. § 180.940) or disqualified (as defined at 2 C.F.R. § 180.935). These regulations restrict awards, subawards, and contracts with certain parties that are debarred, suspended, or otherwise excluded from or ineligible for participation in Federal assistance programs and activities (See 2 C.F.R Part 200, Appendix II). The Contractor must comply with 2 C.F.R. part 180, subpart C and 2 C.F.R. part 3000, subpart C and shall include this requirement and similar certification in all contracts between itself and any subcontractors in connection with the services performed under this Contract.

The Contractor confirms that it is eligible or otherwise not disqualified or prohibited from participation in federal or state assistance programs under Executive Order 12549, Debarment and Suspension. Additionally, the Contractor warrants that it is not debarred, suspended, or otherwise excluded from or ineligible for participation in any federal programs, including but not limited to the following: Department of Health and Human Work (DHHS), Office of Inspector General (OIG) - List of Excluded Individuals & Entities (LEIE); U.S. General Services Administration (GSA) – Excluded Parties List System (EPLS); All States (50) Health & Human Work Commission Medicaid OIG Sanction List; Government Terrorist Watch List (OFAC / Patriot Act); Department of Commerce, Bureau of Industry and Security, Denied Persons List; and Department of Homeland Security, Immigration and Customs Enforcement (ICE) Most Wanted. Galveston County reserves the right to verify any contractor's status and document instances of debarment, suspension, or other ineligibility.

Contractor shall verify that all subcontractors performing work under this Contract are not debarred, disqualified, or otherwise prohibited from participation in accordance with the requirements above. The Contractor further must notify Galveston County in writing immediately if Contractor or its subcontractors are not in compliance with Executive



## GENERAL PROVISIONS

### INFORMATION TO BID GALVESTON COUNTY MUD #12 EMERGENCY GENERATOR GALVESTON COUNTY, TEXAS

Order 12549 during the term of this contract. Contractor shall include this provision in all contracts between itself and any subcontractors in connection with the services performed under this Contract.

If it is found that the Contractor did not comply or is not in compliance with Executive Order 12549 (2 C.F.R. part 180, subpart C and 2 C.F.R. part 3000, subpart C), the Contractor may be subject to available remedies, including but not limited to, refunding Galveston County for any payments made to the Contractor while ineligible, and also acknowledges that the Federal Government may pursue available remedies, including but not limited to suspension and/or debarment.

#### **EQUAL EMPLOYMENT OPPORTUNITY (41 CFR 60-1.4(b) and 2 CFR 200 APPENDIX II (C))**

Contractor must comply with, and incorporate or cause to be incorporated into any contract for construction work, or modification thereof, the Equal Employment Opportunity provisions as follows:

During the performance of this contract, the contractor agrees as follows:

1. The contractor will not discriminate against any employee or applicant for employment because of race, color, religion, sex, sexual orientation, gender identity, or national origin. The contractor will take affirmative action to ensure that applicants are employed, and that employees are treated during employment without regard to their race, color, religion, sex, sexual orientation, gender identity, or national origin. Such action shall include, but not be limited to the following:

Employment, upgrading, demotion, or transfer; recruitment or recruitment advertising; layoff or termination; rates of pay or other forms of compensation; and selection for training, including apprenticeship. The contractor agrees to post in conspicuous places, available to employees and applicants for employment, notices to be provided setting forth the provisions of this nondiscrimination clause.

2. The contractor will, in all solicitations or advertisements for employees placed by or on behalf of the contractor, state that all qualified applicants will receive consideration for employment without regard to race, color, religion, sex, sexual orientation, gender identity, or national origin.
3. The contractor will not discharge or in any other manner discriminate against any employee or applicant for employment because such employee or applicant has inquired about, discussed, or disclosed the compensation of the employee or applicant or another employee or applicant. This provision shall not apply to instances in which an employee who has access to the compensation information of other employees or applicants as a part of such employee's essential job functions discloses the compensation of such other employees or applicants to individuals who do not otherwise have access to such information, unless such disclosure is in response to a formal complaint or charge, in furtherance of an investigation, proceeding, hearing, or action, including an investigation conducted by the employer, or is consistent with the contractor's legal duty to furnish information.
4. The contractor will send to each labor union or representative of workers with which he has a collective bargaining agreement or other contract or understanding, a notice to be provided advising the said labor union or workers' representatives of the contractor's commitments under this section and shall post copies of the notice in conspicuous places available to employees and applicants for employment.
5. The contractor will comply with all provisions of Executive Order 11246 of September 24, 1965, and of the rules, regulations, and relevant orders of the Secretary of Labor.

## GENERAL PROVISIONS

### INFORMATION TO BID GALVESTON COUNTY MUD #12 EMERGENCY GENERATOR GALVESTON COUNTY, TEXAS

6. The contractor will furnish all information and reports required by Executive Order 11246 of September 24, 1965, and by rules, regulations, and orders of the Secretary of Labor, or pursuant thereto, and will permit access to his books, records, and accounts by the administering agency and the Secretary of Labor for purposes of investigation to ascertain compliance with such rules, regulations, and orders.
7. In the event of the contractor's noncompliance with the nondiscrimination clauses of this contract or with any of the said rules, regulations, or orders, this contract may be canceled, terminated, or suspended in whole or in part and the contractor may be declared ineligible for further Government contracts or federally assisted construction contracts in accordance with procedures authorized in Executive Order 11246 of September 24, 1965, and such other sanctions may be imposed and remedies invoked as provided in Executive Order 11246 of September 24, 1965, or by rule, regulation, or order of the Secretary of Labor, or as otherwise provided by law.
8. The contractor will include the portion of the sentence immediately preceding paragraph (1) and the provisions of paragraphs (1) through (8) in every subcontract or purchase order unless exempted by rules, regulations, or orders of the Secretary of Labor issued pursuant to section 204 of Executive Order 11246 of September 24, 1965, so that such provisions will be binding upon each subcontractor or vendor. The contractor will take such action with respect to any subcontract or purchase order as the administering agency may direct as a means of enforcing such provisions, including sanctions for noncompliance:

Provided, however, that in the event a contractor becomes involved in, or is threatened with, litigation with a subcontractor or vendor as a result of such direction by the administering agency, the contractor may request the United States to enter into such litigation to protect the interests of the United States.

The Contractor further agrees that it will be bound by the above equal opportunity clause with respect to its own employment practices when it participates in federally assisted construction work: Provided, That if the applicant so participating is a State or local government, the above equal opportunity clause is not applicable to any agency, instrumentality or subdivision of such government which does not participate in work on or under the contract.

The Contractor agrees that it will assist and cooperate actively with the administering agency and the Secretary of Labor in obtaining the compliance of contractors and subcontractors with the equal opportunity clause and the rules, regulations, and relevant orders of the Secretary of Labor, that it will furnish the administering agency and the Secretary of Labor such information as they may require for the supervision of such compliance, and that it will otherwise assist the administering agency in the discharge of the agency's primary responsibility for securing compliance.

The Contractor further agrees that it will refrain from entering into any contract or contract modification subject to Executive Order 11246 of September 24, 1965, with a contractor debarred from, or who has not demonstrated eligibility for, Government contracts and federally assisted construction contracts pursuant to the Executive Order and will carry out such sanctions and penalties for violation of the equal opportunity clause as may be imposed upon contractors and subcontractors by the administering agency or the Secretary of Labor pursuant to Part II, Subpart D of the Executive Order. In addition, the Contractor agrees that if it fails or refuses to comply with these undertakings, the administering agency may take any or all of the following actions: Cancel, terminate, or suspend in whole or in part this grant (contract, loan, insurance, guarantee); refrain from extending any further assistance to the Contractor under the program with respect to which the failure or refund occurred until satisfactory assurance of future compliance has been received from such Contractor; and refer the case to the Department of Justice for appropriate legal proceedings. Contractor must include the equal opportunity clause in each of its nonexempt subcontracts, and to require all non-exempt subcontractors to include the equal opportunity clause in each of its nonexempt subcontracts.

## GENERAL PROVISIONS

### INFORMATION TO BID GALVESTON COUNTY MUD #12 EMERGENCY GENERATOR GALVESTON COUNTY, TEXAS

#### **EQUAL EMPLOYMENT OPPORTUNITY FOR WORKERS WITH DISABILITIES (48 CFR 52.22236)**

During the performance of this contract, the Contractor must comply with required Equal Employment Opportunity for Workers with Disabilities provisions.

Contractor shall include the following equal opportunity clause in each of its covered Government contracts or subcontracts (and modifications, renewals, or extensions thereof if not included in the original contract):

- a. Equal opportunity clause. The Contractor shall abide by the requirements of the equal opportunity clause at 41 CFR 60-741.5(a), as of March 24, 2014. This clause prohibits discrimination against qualified individuals on the basis of disability and requires affirmative action by the Contractor to employ and advance in employment qualified individuals with disabilities.
- b. Subcontracts. The Contractor shall include the terms of this clause in every subcontract or purchase order in excess of \$15,000 unless exempted by rules, regulations, or orders of the Secretary, so that such provisions will be binding upon each subcontractor or vendor. The Contractor shall act as specified by the Director, Office of Federal Contract Compliance Programs of the U.S. Department of Labor, to enforce the terms, including action for noncompliance. Such necessary changes in language may be made as shall be appropriate to identify properly the parties and their undertakings.

#### **EQUAL EMPLOYMENT OPPORTUNITY FOR VEVRAA PROTECTED VETERANS (41 CFR 60.300)**

Galveston County is an equal opportunity employer of protected veterans. During the performance of this contract, the Contractor must comply with required Equal Employment Opportunity for VEVRAA Protected Veterans provisions. Contractor shall include the following equal opportunity clause in each of its covered Government contracts or subcontracts (and modifications, renewals, or extensions thereof if not included in the original contract):

- a. The definitions set forth in 41 CFR 60-300.2 apply to the terms used throughout this Clause, and they are incorporated herein by reference.
- b. The contractor shall not discriminate against any employee or applicant for employment because he or she is a disabled veteran, recently separated veteran, active-duty wartime or campaign badge veteran, or Armed Forces service medal veteran (hereinafter collectively referred to as "protected veteran(s)") in regard to any position for which the employee or applicant for employment is qualified. The contractor agrees to take affirmative action to employ, advance in employment and otherwise treat qualified individuals without discrimination based on their status as a protected veteran in all employment practices, including the following:
  - i Recruitment, advertising, and job application procedures.
  - ii Hiring, upgrading, promotion, award of tenure, demotion, transfer, layoff, termination, right of return from layoff and rehiring.
  - iii Rates of pay or any other form of compensation and changes in compensation.
  - iv Job assignments, job classifications, organizational structures, position descriptions, lines of progression, and seniority lists.

## GENERAL PROVISIONS

### INFORMATION TO BID GALVESTON COUNTY MUD #12 EMERGENCY GENERATOR GALVESTON COUNTY, TEXAS

- v Leaves of absence, sick leave, or any other leave.
  - vi Fringe benefits available by virtue of employment, whether or not administered by the contractor.
  - vii Selection and financial support for training, including apprenticeship, and on-the-job training under 38 U.S.C. 3687, professional meetings, conferences, and other related activities, and selection for leaves of absence to pursue training.
  - viii Activities sponsored by the contractor including social or recreational programs.
  - ix Any other term, condition, or privilege of employment.
- c. The contractor shall immediately list all employment openings which exist at the time of the execution of this contract and those which occur during the performance of this contract, including those not generated by this contract and including those occurring at an establishment of the contractor other than the one where the contract is being performed, but excluding those of independently operated corporate affiliates, with the appropriate employment service delivery system where the opening occurs. Listing employment openings with the state workforce agency job bank or with the local employment service delivery system where the opening occurs will satisfy the requirement to list jobs with the appropriate employment service delivery system. In order to satisfy the listing requirement described herein, contractors must provide information about the job vacancy in any manner and format permitted by the appropriate employment service delivery system which will allow that system to provide priority referral of veterans protected by VEVRAA for that job vacancy. Providing information on employment openings to a privately run job service or exchange will satisfy the contractor's listing obligation if the privately run job service or exchange provides the information to the appropriate employment service delivery system in any manner and format that the employment service delivery system permits which will allow that system to provide priority referral of protected veterans.
- d. Listing of employment openings with the appropriate employment service delivery system pursuant to this clause shall be made at least concurrently with the use of any other recruitment source or effort and shall involve the normal obligations which attach to the placing of a bona fide job order, including the acceptance of referrals of veterans and nonveterans. The listing of employment openings does not require the hiring of any particular job applicants or from any particular group of job applicants, and nothing herein is intended to relieve the contractor from any requirements in Executive orders or regulations regarding nondiscrimination in employment.
- e. Whenever a contractor, other than a state or local governmental contractor, becomes contractually bound to the listing provisions in paragraphs 2 and 3 of this clause, it shall advise the employment service delivery system in each state where it has establishments that: (a) It is a Federal contractor, so that the employment service delivery systems are able to identify them as such; and (b) it desires priority referrals from the state of protected veterans for job openings at all locations within the state. The contractor shall also provide to the employment service delivery system the name and location of each hiring location within the state and the contact information for the contractor official responsible for hiring at each location. The "contractor official" may be a chief hiring official, a Human Resources contact, a senior management contact, or any other manager for the contractor that can verify the information set forth in the job listing and receive priority referrals from employment service delivery systems. In the event that the contractor uses any

## GENERAL PROVISIONS

### INFORMATION TO BID GALVESTON COUNTY MUD #12 EMERGENCY GENERATOR GALVESTON COUNTY, TEXAS

external job search organizations to assist in its hiring, the contractor shall also provide to the employment service delivery system the contact information for the job search organization(s). The disclosures required by this paragraph shall be made simultaneously with the contractor's first job listing at each employment service delivery system location after the effective date of this final rule. Should any of the information in the disclosures change since it was last reported to the employment service delivery system location, the contractor shall provide updated information simultaneously with its next job listing. As long as the contractor is contractually bound to these provisions and has so advised the employment service delivery system, there is no need to advise the employment service delivery system of subsequent contracts. The contractor may advise the employment service delivery system when it is no longer bound by this contract clause.

- f. The provisions of paragraphs 2 and 3 of this clause do not apply to the listing of employment openings which occur and are filled outside of the 50 states, the District of Columbia, the Commonwealth of Puerto Rico, Guam, the Virgin Islands, American Samoa, the Commonwealth of the Northern Mariana Islands, Wake Island, and the Trust Territories of the Pacific Islands.
- g. As used in this clause:
  - i. All employment openings include all positions except executive and senior management, those positions that will be filled from within the contractor's organization, and positions lasting three days or less. This term includes full-time employment, temporary employment of more than three days' duration, and part-time employment.
  - ii. Executive and senior management means: (1) Any employee (a) compensated on a salary basis at a rate of not less than \$455 per week (or \$380 per week, if employed in American Samoa by employers other than the Federal Government), exclusive of board, lodging or other facilities; (b) whose primary duty is management of the enterprise in which the employee is employed or of a customarily recognized department or subdivision thereof; (c) who customarily and regularly directs the work of two or more other employees; and (d) who has the authority to hire or fire other employees or whose suggestions and recommendations as to the hiring, firing, advancement, promotion or any other change of status of other employees are given particular weight; or (2) any employee who owns at least a bona fide 20-percent equity interest in the enterprise in which the employee is employed, regardless of whether the business is a corporate or other type of organization, and who is actively engaged in its management.
  - iii. Positions that will be filled from within the contractor's organization means employment openings for which no consideration will be given to persons outside the contractor's organization (including any affiliates, subsidiaries, and parent companies) and includes any openings which the contractor proposes to fill from regularly established "recall" lists. The exception does not apply to a particular opening once an employer decides to consider applicants outside of his or her own organization.
- h. The contractor shall comply with the rules, regulations, and relevant orders of the Secretary of Labor issued pursuant to the Act.

## GENERAL PROVISIONS

### INFORMATION TO BID GALVESTON COUNTY MUD #12 EMERGENCY GENERATOR GALVESTON COUNTY, TEXAS

- i. In the event of the contractor's noncompliance with the requirements of this clause, actions for noncompliance may be taken in accordance with the rules, regulations, and relevant orders of the Secretary of Labor issued pursuant to the Act.
- j. The contractor agrees to post in conspicuous places, available to employees and applicants for employment, notices in a form to be prescribed by the Director, Office of Federal Contract Compliance Programs, provided by or through the contracting officer. Such notices shall state the rights of applicants and employees as well as the contractor's obligation under the law to take affirmative action to employ and advance in employment qualified employees and applicants who are protected veterans. The contractor must ensure that applicants or employees who are disabled veterans are provided the notice in a form that is accessible and understandable to the disabled veteran (e.g., providing Braille or large print versions of the notice, posting the notice for visual accessibility to persons in wheelchairs, providing the notice electronically or on computer disc, or other versions). With respect to employees who do not work at a physical location of the contractor, a contractor will satisfy its posting obligations by posting such notices in an electronic format, provided that the contractor provides computers that can access the electronic posting to such employees, or the contractor has actual knowledge that such employees otherwise are able to access the electronically posted notices. Electronic notices for employees must be posted in a conspicuous location and format on the company's intranet or sent by electronic mail to employees. An electronic posting must be used by the contractor to notify job applicants of their rights if the contractor utilizes an electronic application process. Such electronic applicant notice must be conspicuously stored with, or as part of, the electronic application.
- k. The contractor will notify each labor organization or representative of workers with which it has a collective bargaining agreement or other contract understanding that the contractor is bound by the terms of VEVRAA and is committed to take affirmative action to employ and advance in employment, and shall not discriminate against, protected veterans.
- l. The contractor will include the provisions of this clause in every subcontract or purchase order of \$100,000 or more, unless exempted by the rules, regulations, or orders of the Secretary issued pursuant to VEVRAA so that such provisions will be binding upon each subcontractor or vendor. The contractor will take such action with respect to any subcontract or purchase order as the Director, Office of Federal Contract Compliance Programs, may direct to enforce such provisions, including action for noncompliance.
- m. The contractor must, in all solicitations or advertisements for employees placed by or on behalf of the contractor, state that all qualified applicants will receive consideration for employment without regard to their protected veteran status.
- n. The Contractor shall forfeit as a penalty to the County who administers the subject Project receiving Federal assistance, Sixty Dollars (\$60.00) for each worker, employed for each calendar day, or a portion thereof, such worker is paid less than the said stipulated rates for any work done under this Project, by him/her or by any contractor under him/her.
- o. All contractors shall keep, or cause to be kept, an accurate record showing the names of all workers, also the actual per diem wages paid to each of such workers.

#### FAIR LABOR STANDARDS ACT

## **GENERAL PROVISIONS**

### **INFORMATION TO BID GALVESTON COUNTY MUD #12 EMERGENCY GENERATOR GALVESTON COUNTY, TEXAS**

Contractor must comply the Fair Labor Standards Act of 1938 (29 U.S.C. Section 201 et seq.) as now or hereafter amended, which regulates wage, hour and other employment practices that govern the use of funds provided and the employment of personnel under this contract. The Contractor warrants that it will pay all its workers all monies earned by its workers including, but not limited to regular wages, any overtime compensation, or any additional payments pursuant to the Fair Labor Standards Act, 29 United States Code (U.S.C.) Section 207 9a(1), as amended; the Texas Pay Day Act; the Equal Pay Act; Title VII of the Civil Rights Act of 1964, 42 U.S.C. Section 2000, et al., as amended; or any provisions of the Texas Labor Code Ann., as amended.

#### **FLOOD DISASTER PROTECTION ACT OF 1973 (24 CFR 570.605)**

Contractor must comply with the provisions in 24 CFR 570.605, Section 202(a) of the Flood Disaster Protection Act of 1973 (42 U.S.C. 4106), and the regulations in 44 CFR Parts 59-79.

#### **GREEN BUILDING STANDARDS**

At a minimum, Contractors and subcontractors must comply with local codes and any applicable national building codes for any work involving rehabilitation or construction, including design. When a contract is funded, in whole or in part, by HUD funding, Contractors must comply with applicable Green Building standards to the maximum extent feasible. Green Building standards may apply to single-family properties, multifamily properties, or both and may include, but are not limited to best practices defined under LEED, Enterprise Green Communities, or NAHB National Green Building Standards and may include specific measures for water conservation, energy efficiency, and indoor air quality. Contractor and subcontractors must comply with the following standards, as applicable:

- 2009 ICC International Energy Conservation Code (IECC)
- ASHRAE 90.1-2007, which sets minimum energy standards for buildings except low-rise residential buildings
- ASHRAE 62.1-2010 and 62.2-2010, which set minimum standards for ventilation for indoor air quality for common areas in mid- and high-rise buildings, and low-rise residential buildings, respectively.
- New or replacement residential housing, when funded by CDBG-DR grants, must adhere to Green Building standards, including Energy Star Certified Homes or Energy Star for Multifamily High Rise and other applicable green building requirements.
- Moderate residential housing rehabilitation, when funded by CDBG-DR grants, must comply with the Community Planning & Development (CPD) Retrofit Checklist and provide Energy Star appliances, Water Sense or FEMP products if replaced.
- New or replacement residential housing, when funded by CDBG-DR grants, must adhere to Green Building standards, including Energy Star Certified Homes or Energy Star for Multifamily High Rise and other applicable green building requirements.

#### **HOLD HARMLESS AGREEMENT**

Contractor shall indemnify, defend, and hold harmless Galveston County from all claims for personal injury, death and/or property damage resulting directly or indirectly from contractor's performance. Contractor shall procure and maintain, with respect to the subject matter of this Invitation for Bids, appropriate insurance coverage including, at a minimum, public liability and property damage with adequate limits to cover contractor's liability as may arise directly or indirectly from work performed under terms of this Invitation to Bid. Certification of such coverage must be provided to the County upon request.

## GENERAL PROVISIONS

### INFORMATION TO BID GALVESTON COUNTY MUD #12 EMERGENCY GENERATOR GALVESTON COUNTY, TEXAS

The Federal Government is not a party to this contract and is not subject to any obligations or liabilities to the non-Federal entity, contractor, or any other party pertaining to any matter resulting from the contract.

#### **LEAD-BASED PAINT (24 CFR 570.608)**

Contractor and subcontractors must comply with the provisions found in 24 CFR 570.608, the Lead-Based Paint Poisoning Prevention Act (42 U.S.C. 4821-4846), the Residential Lead Based Paint Hazard Reduction Act of 1992 (U.S.C. 4851-4856, and 24 CFR Part 35, subparts A, B, J, K, and R. This Article 2(f) is to be included in all subcontracts, for work in connection with this Contract, which relate to residential structures.

#### **NON-COLLUSION (The Sherman Act)**

Contractor must comply with the requirements of The Sherman Act, which prohibit collusion. Collusion occurs when two persons or representatives of an entity or organization make an agreement to deceive or mislead another. Such agreements are usually secretive and involve fraud or gaining an unfair advantage over a third party, competitors, consumers or others with whom they are negotiating. The collusion, therefore, makes the bargaining process inherently unfair. Collusion can involve promises of future benefits, price or wage fixing, kickbacks, or misrepresenting the independence of the relationship between the colluding parties.

The Sherman Act prohibits any agreement among competitors to fix prices, rig bids, or engage in other anticompetitive activity. Collusion, bid rigging, or other anticompetitive activity is considered a felony. Contractor shall not in any way, directly or indirectly:

- a. Collude, conspire, or agree with any other person, firm, corporation, Bidder or potential Bidder to the amount of this Bid or the terms or conditions of this Bid.
- b. Pay or agree to pay any other person, firm, corporation Bidder or potential Bidder any money or anything of value in return for assistance in procuring or attempting to procure a contract or in return for establishing the prices in the attached Bid or the Bid of any other Bidder.
- c. Assemble in coordination with any other organization in an attempt to fix the price of the work.

Contractors are expected to report any suspected fraud, collusion, or impropriety from the inception of solicitation through the end of the contract term.

#### **NON-SEGREGATED FACILITIES**

“Prohibition of Segregated Facilities”

- a. Segregated facilities means any waiting rooms, work areas, rest rooms and wash rooms, restaurants and other eating areas, time clocks, locker rooms and other storage or dressing areas, parking lots, drinking fountains, recreation or entertainment areas, transportation, and housing facilities provided for employees, that are segregated by explicit directive or are in fact segregated on the basis of race, color, religion, sex, sexual orientation, gender identity, or national origin because of written or oral policies or employee custom. The term does not include separate or single-user rest rooms or necessary dressing or sleeping areas provided to assure privacy between the sexes.

Sexual orientation has the meaning given by the Department of Labor's Office of Federal Contract Compliance Programs and is found at [www.dol.gov/ofccp/LGBT/LGBT\\_FAQs.html](http://www.dol.gov/ofccp/LGBT/LGBT_FAQs.html).

- b. The Contractor agrees that it does not and will not maintain or provide for its employees any segregated facilities at any of its establishments, and that it does not and will not permit its employees to perform their services at any location under its control where segregated facilities are maintained. The Contractor agrees that a breach of this clause is a violation of the Equal Opportunity clause in this contract.



## GENERAL PROVISIONS

### INFORMATION TO BID GALVESTON COUNTY MUD #12 EMERGENCY GENERATOR GALVESTON COUNTY, TEXAS

- c. The Contractor shall include this clause in every subcontract and purchase order that is subject to the Equal Opportunity clause of this contract.

#### **PARTICIPATION BY MINORITY & WOMEN-OWNED BUSINESS ENTERPRISES (2 CFR 200.321)**

Contractor must comply with the Minority and Women-owned Business Enterprise participation requirements under 2 CFR 200.321. Contractors must take all affirmative steps necessary to subcontract with Minority and Women-owned Business Enterprises (MWBES) to assure that MWBES are used when possible. These affirmative steps shall include:

- A. Placing qualified small and minority businesses and women's business enterprises on solicitation lists;
- B. Assuring that small and minority businesses, and women's business enterprises are solicited whenever they are potential sources;
- C. Dividing total requirements, when economically feasible, into smaller tasks or quantities to permit maximum participation by small and minority businesses, and women's business enterprises;
- D. Establishing delivery schedules, where the requirement permits, which encourage participation by small and minority businesses, and women's business enterprises; and
- E. Using the services and assistance, as appropriate, of such organizations as the Small Business Administration and the Minority Business Development Agency of the Department of Commerce.

The State of Texas maintains a Historically Underutilized Business Program, which identifies any business at least 51 percent owned by an Asian Pacific American, Black American, Hispanic American, Native American, American woman and/or Service-Disabled Veteran, who resides in Texas and actively participate in the control, operations and management of the entity's affairs as a Historically Underutilized Business (also considered MWBE). Contractors who wish to check the status of a firm may visit <https://comptroller.texas.gov/purchasing/vendor/hub/>.

Contractors and subcontractors are required to facilitate Minority & Women-Owned Business Enterprise participation. Contractors are encouraged to utilize MWBES / HUB firms as subcontractors, subconsultants, or suppliers in order to comply with the requirements and may check for firms who perform relevant work by searching <https://comptroller.texas.gov/purchasing/vendor/hub/>.

Contractor and subcontractors must facilitate Minority & Women-Owned Business Enterprise participation and take all affirmative steps to utilize MWBES / HUB firms as subcontractors, subconsultants, or suppliers throughout the life of the Contract.

#### **POTENTIAL CONFLICTS OF INTEREST**

Pursuant to 2 CFR 200.112, Contractor must comply with disclosure requirements in accordance with Texas Local Government Code, Chapter 176. Contractor shall not use funds to directly or indirectly pay any person for influencing or attempting to influence any public employee or official in connection with the awarding of any contract or the extension, continuation, renewal, amendment or modification of any contract. By law, the Conflict of Interest Questionnaire (provided by the Texas Ethics Commission at [www.ethics.state.tx.us](http://www.ethics.state.tx.us)) must be filed with the records administrator of the local governmental entity not later than the 7th business day after the date the Contractor becomes aware of facts that require the statement to be filed.

This law requires persons desiring to do business with the County to disclose any gifts valued in excess of \$250 given to any County Official or the County Official's family member, or employment of any County Official or the County

## GENERAL PROVISIONS

### INFORMATION TO BID GALVESTON COUNTY MUD #12 EMERGENCY GENERATOR GALVESTON COUNTY, TEXAS

Official's family member during the preceding twelve (12) month period. The disclosure questionnaire must be filed with the Galveston County Clerk. Refer to Texas Local Government Code, Chapter 176 for the details of this law.

An outside consultant or contractor is prohibited from submitting a bid for services on a Galveston County project of which the consultant or contractor was a designer or other previous contributor, or was an affiliate, subsidiary, joint venture or was in any other manner associated by ownership to any party that was a designer or other previous contributor. If such a consultant or contractor submits a prohibited bid, that bid shall be disqualified on the basis of conflict of interest, no matter when the conflict is discovered by Galveston County.

#### **PREVAILING WAGES (2 CFR 200 APPENDIX II (D) and TGC 2258)**

Pursuant to 2 CFR 200 Appendix II (D), Contractor must comply with Texas Government Code (TGC) 2258, Prevailing Wage Rates. Accordingly, Contractor must submit a certified payroll records as required, and compensate any worker employed on a public works project not less than as applicable. As noted under "Davis Bacon and Related Acts", when required by Federal program legislation, construction contracts in excess of \$2,000 awarded by Galveston County shall require compliance with the Davis-Bacon Act (40 U.S.C. 3141-3144, and 3146-3148) as supplemented by Department of Labor regulations (29 CFR Part 5, "Labor Standards Provisions Applicable to Contracts Covering Federally Financed and Assisted Construction"). In accordance with the statute, Contractor must pay wages to laborers and mechanics at a rate not less than the local prevailing wages, or Davis Bacon wages, as applicable. If both Texas prevailing wages and Davis Bacon provide rates for a particular class, Contractors must pay the greater wage rate. In addition, Contractor must pay wages not less than once a week.

In compliance with Section 2258 of the Texas Government Code, Contractor and any subcontractor hired by Contractor for the construction of any project, shall pay not less than the rates set forth in the Schedule of Prevailing Wages attached and incorporated by reference. In submitting a Bid, Contractor warrants that it and its subcontractors shall comply with all requirements and worker ratios per the applicable Schedule of Prevailing Wages and Texas state law.

Contractor must submit certified payroll of contractor and all subcontractors on a weekly basis. At County's request, Contractor must make available and shall require its subcontractors to make available, copies of cancelled checks and check stubs for comparisons by the County or its agents. Regardless of whether Davis Bacon or Texas Prevailing Wages apply, the County reserves the right for its agents to visit the project site and to interview contractor, its subcontractors and employees of each on any date or time, as often as desired during the construction period, without prior notification.

Galveston County will ascertain if proper wage rates are being paid to the employees as required. In the event of a discrepancy between the work performed and the wages paid, the County shall document same and notify Contractor. If, for any length of time and as determined by Galveston County, discrepancies appear between the certified payrolls and the actual wage paid, the County shall require check stubs to be attached to each weekly certified payroll. Pursuant to Texas Government Code Section 2258.051, the County reserves the right to withhold any monies due Contractor until such discrepancy is resolved and the necessary adjustment made. The Contractor shall forfeit as a penalty, in accordance with Texas Government Code Section 2258.023(b), to the County or entity who administers the subject Project receiving Federal assistance, Sixty Dollars (\$60.00) for each worker, employed for each calendar day, or a portion thereof, such worker is paid less than the said stipulated rates for any work done under this Project, by him/her or by any contractor/subcontractor under him/her.

All contractor/subcontractor shall keep, or cause to be kept, an accurate record showing the names of all workers, also the actual per diem wages paid to each of such workers. Contractor shall impose these same obligations upon its Subcontractors. Contractor understands that with weekly or monthly certified payrolls, contractor is responsible for

## GENERAL PROVISIONS

### INFORMATION TO BID GALVESTON COUNTY MUD #12 EMERGENCY GENERATOR GALVESTON COUNTY, TEXAS

any and all penalties that shall accrue during the month, regardless of the fact that any error could not be discovered by the Contract Compliance Officer until the following certified payroll.

#### **PROCUREMENT OF RECOVERED MATERIALS (2 CFR 200.322)**

Pursuant to 2 CFR 200.322, Contractor must comply with Section 6002 of the Solid Waste Disposal Act, Pub. L. No. 89-272 (1965) (codified as amended by the Resource Conservation and Recovery Act at 42 U.S.C. § 6962). As such, any contractors awarded under this contract opportunity is subject to the requirements of Section 6002, which include procuring only items designated in guidelines of the EPA at 40 C.F.R. Part 247 that contain the highest percentage of recovered materials practicable, consistent with maintaining a satisfactory level of competition, where the purchase price of the item exceeds \$10,000 or the value of the quantity acquired by the preceding fiscal year exceeded \$10,000; procuring solid waste management services in a manner that maximizes energy and resource recovery; and establishing an affirmative procurement program for procurement of recovered materials identified in the EPA guidelines.

#### **PROGRAM FRAUD AND FALSE OR FRAUDULENT STATEMENTS OR RELATED ACTS**

Contractor must comply with 31 U.S.C. Chapter 38, Administrative Remedies for False Claims and Statements, which shall apply to the activities and actions of the Contractor and its subcontractors pertaining to any matter resulting from the contract.

#### **RESTRICTIONS ON PUBLIC BUILDINGS AND PUBLIC WORKS PROJECTS CERTIFICATION**

- b. Definitions. The definitions pertaining to this provision are those that are set forth on the clause entitled "Restrictions on Public Works Projects." (Set out under "Contract Clauses" below.)
- c. Certification. Except as provided in paragraph (C) of this provision, by submission of its bid or proposal, Bidder certifies that it:
  - i. Is not a Contractor of a foreign country included on the list of countries that discriminate against U.S. firms published by the Office of the United States Trade Representative (USTR) (see paragraph (H) of this provision);
  - ii. Has not or will not enter into any subcontract with a subcontractor of a foreign country included on the list of countries that discriminate against U.S. firms published by the USTR, and
  - iii. Will not provide any product of a country included on the list of foreign countries that discriminate against the U.S. firms published by the USTR.
- d. Inability to certify. A Bidder unable to certify in accordance with paragraph (b) of this provision shall submit with its offer a written explanation fully describing the reasons for its inability to make the certification.
- e. Applicability of 18 U.S.C. 1001. This certification is paragraph (B) of this provision concerns a matter within the jurisdiction of an agency of the United States, and the making of a false, fictitious, or fraudulent certification may render the maker subject to prosecution under Title 18 U.S.C. 1001.

## GENERAL PROVISIONS

### INFORMATION TO BID GALVESTON COUNTY MUD #12 EMERGENCY GENERATOR GALVESTON COUNTY, TEXAS

- f. Notice. Bidder shall provide written notice to the Contracting Officer if, at any time before the contract award, Bidder learns that its certification was erroneous when submitted or has become erroneous by reason of changed circumstances.
- g. Restrictions on contract award. Unless a waiver to these restrictions is granted by the Secretary of Housing and Urban Development, no contract will be awarded to a Bidder (1) who is owned or controlled by a citizen or national of a foreign country included on the list of foreign countries that discriminate against U.S. firms published by the USTR, (2) whose subcontractors are owned or controlled by citizens or national of a foreign country on the USTR list or, (3) who incorporates any product of a foreign country on the USTR list in the public works project.
- h. USTR List. The USTR published an initial list in the Federal Register on December 30, 1987 (53 FR 49244), which identified one country-Japan. The USTR can add countries to the list, and remove countries from it, in accordance with section 109 (C) of PUB. L. 100-202.

### RESTRICTIONS ON PUBLIC BUILDINGS AND PUBLIC WORKS PROJECTS

- a. Definitions. "Component", as used in this clause, means those articles, materials, and supplies incorporated directly into the product. "Contractor or subcontractor of a foreign country," as used in this clause, means any Contractor or subcontractor that is a citizen or national of a foreign country or is controlled directly or indirectly by citizens or nationals of a foreign country. A contractor or subcontractor shall be considered to be a citizen or national of a foreign country, or controlled directly or indirectly by citizens or nationals of a foreign country:
  - i. If 50 percent or more of the Contractor or subcontractor is owned by a citizen or a national of the foreign country;
  - ii. If the title to 50 percent or more of the stock of the Contractor or subcontractor is held subject to trust or fiduciary obligation in favor of citizens or nationals of the foreign country.
  - iii. If 50 percent or more of the voting power in the Contractor or subcontractor is vested in or exercisable on behalf of a citizen or national of the foreign country; iv. In the case of a partnership, if any general partner is a citizen of the foreign country;
  - v. In the case of a corporation. If its presidents or other chief executive officer or the chairman of its board of directors is a citizen of the foreign country or the majority of any number of its directors necessary to constitute a quorum are citizens of the foreign country or the corporation is organized under the laws of the foreign country or any subdivision, territory, or possession thereof; or
  - vi. In case of a contractor or subcontractor who is a joint venture, if any participant firm is a citizen or national of a foreign country or meets any of the criteria in subparagraphs (A) 1 through 5 of this clause. "Product", as used in this clause, means construction materials, i.e. articles, materials and supplies brought to the construction site for incorporation into the public works project, including permanently affixed equipment, instruments, utilities, electronic or other devices, but not including vehicles or construction equipment. In determining the origin of a product, Galveston County will consider a product as produce in a foreign country if it has been assembled or manufactured in the

## GENERAL PROVISIONS

### INFORMATION TO BID GALVESTON COUNTY MUD #12 EMERGENCY GENERATOR GALVESTON COUNTY, TEXAS

foreign country, or if the cost of the components mined, produced, or manufactured in the foreign country exceed 50 percent of the cost of all its components.

- b. **Restrictions.** The Contractor shall not (1) knowingly enter into any subcontract under this contract with a subcontractor of a foreign country included on the list of countries that discriminate against U.S. firms published by the United States Trade Representative (see paragraph (C) of this clause, or (2) supply any product under this contract of a country included on the list of foreign countries that discriminate against U.S. firms published by the USTR.
- c. **USTR List.** The USTR published an initial list in the Federal Register on December 30, 1987 (53 FR 49244), which identified one country-Japan. The USTR can add other countries to the list, or remove countries from it, in accordance with section 109 (C) of PUB. L. 100-102.
- d. **Certification.** The Contractor may rely upon the certification of a prospective subcontractor that it is not a subcontractor of a foreign country included on the list of countries that discriminate against U.S. firms published by the USTR and that products supplied by such subcontractor for use on the Federal public works project under this contract are not products of a foreign country included on the list of foreign countries that discriminate against U.S. firms published by the USTR, unless such Contractor has knowledge that the certification is erroneous.
- e. **Subcontractors.** The Contractor shall incorporate this clause, modified only for the purpose of properly identifying the parties, in all subcontracts. This paragraph ( E ) shall also be incorporated in all subcontracts.

#### **RIGHTS TO INVENTIONS (2 CFR Appendix II to Part 200 (F))**

Any discovery or invention that arises during the course of the contract shall be reported to Galveston County. This clause requires the Contractor to disclose promptly inventions to the County (within 2 months) after the inventor discloses it in writing to Contractor personnel responsible for patent matters. The awarding agency shall determine how rights in the invention/discovery shall be allocated consistent with "Government Patent Policy" and Title 37 C.F.R. § 401.

If the Federal award meets the definition of "funding agreement" under 37 C.F.R. §.401.2(a) and the recipient or subrecipient wishes to enter into a contract with a small business firm or nonprofit organization regarding the substitution of parties, assignment or performance of experimental, developmental, or research work under that "funding agreement," the recipient or subrecipient must comply with the requirements of Title 37 C.F.R. § 401, "Rights to Inventions Made by Nonprofit Organizations and Small Business Firms Under Government Grants, Contracts and Cooperative Agreements," and any implementing regulations issued by the awarding agency.

#### **SECTION 109 OF THE HOUSING AND COMMUNITY DEVELOPMENT ACT OF 1974 (24 CFR 570.602)**

Section 109 of the Act requires that no person in the United States shall on the grounds of race, color, national origin, religion, or sex be excluded from participation in, be denied the benefits of, or be subjected to discrimination under any program or activity receiving Federal financial assistance made available pursuant to the Act. Section 109 also directs that the prohibitions against discrimination on the basis of age under the Age Discrimination Act and the prohibitions against discrimination on the basis of disability under Section 504 shall apply to programs or activities receiving Federal financial assistance under Title I programs. The policies and procedures necessary to ensure enforcement of section 109 are codified in 24 CFR part 6.

## GENERAL PROVISIONS

### INFORMATION TO BID GALVESTON COUNTY MUD #12 EMERGENCY GENERATOR GALVESTON COUNTY, TEXAS

#### **TERMINATION FOR CAUSE & CONVENIENCE (2 CFR Appendix II to Part 200 (A) and (B))**

Pursuant to 2 CFR Appendix II to Part 200 (A), Contracts for more than the simplified acquisition threshold currently set at \$150,000, which is the inflation adjusted amount determined by the Civilian Agency Acquisition Council and the Defense Acquisition Regulations Council (Councils) as authorized by 41 U.S.C. 1908, shall address administrative, contractual, or legal remedies in instances where contractors violate or breach contract terms, and provide for such sanctions and penalties as appropriate.

Pursuant to 2 CFR Appendix II to Part 200 (B), all contracts in excess of \$10,000 shall address termination for cause and for convenience by the non-Federal entity including the manner by which it will be affected and the basis for settlement. Galveston County shall have the right to terminate this contract for cause and convenience.

In the event of a failure by Contractor to satisfactorily perform the services specified herein and/or a default by Contractor in abiding by the other terms and conditions of this Contract, Galveston County may terminate the Contract on written notice to Contractor and Contractor shall be liable for all damages, costs, and expenses (including attorney fees) incurred by County related to this default. Such termination is in addition to and not in lieu of any other remedies that Galveston County may have in law or equity. Administrative remedies for nonperformance, violation or breach of contract terms, or termination of contract for default may include suspension and debarment. Galveston County may assess liquidated damages for failure to meet completion deadlines, contract breaches, or performance failures of the Contractor or its Subcontractors.

Contractor shall be provided the opportunity to cure certain performance failures or instances of default as described in the contract documents. The legal dispute resolution process as applicable under the Texas Civil Practice and Remedies Code shall include, but is not limited to, Texas and Civil Practice and Remedies Section 38 – Attorney’s Fees, Texas Civil Practice and Remedies Section 41 – Damages, and Texas Civil Practice and Remedies Section 154 – General Provisions. Galveston County and Contractor(s) should attempt to resolve any claim for breach of contract made by Contractor, to the extent it is applicable to the Contract and not preempted by other law. Except as otherwise provided by law, nothing herein is a waiver by the County or the State of Texas of the right to seek redress in a court of law.

Termination provisions are included in the Contract Requirements & Payment, Section VIII, portion of this IFB.

#### **WHISTLEBLOWER PROTECTION ACT**

Contractor, subcontractors, and employees working on this Project shall be subject 41 U.S. Code § 4712, which requires that an employee of a contractor, subcontractor, grantee, or subgrantee or personal services contractor may not be discharged, demoted, or otherwise discriminated against as a reprisal for disclosing information that the employee reasonably believes is evidence of gross mismanagement of a Federal contract or grant, a gross waste of Federal funds, an abuse of authority relating to a Federal contract or grant, a substantial and specific danger to public health or safety, or a violation of law, rule, or regulation related to a Federal contract (including the competition for or negotiation of a contract) or grant.

The Contractor shall inform its employees and subcontractors in writing, in the predominant language of the workforce, of employee whistleblower rights and protections under 41 U.S.C. 4712, as described in section 3.908 of the Federal Acquisition Regulation. The Contractor shall insert the substance of this clause, including this paragraph, in all subcontracts providing services for this Project.

#### **72. NON-EXCLUSIVE LIST OF APPLICABLE LAWS, RULES, AND REGULATIONS – (GLO)**

If applicable to the Project, Provider must be in compliance with the following laws, rules, and regulations; and any other state, federal, or local laws, rules, and regulations as may become applicable throughout the term of the Contract, and Provider acknowledges that this list may not include all such applicable laws, rules, and regulations.

## **GENERAL PROVISIONS**

### **INFORMATION TO BID GALVESTON COUNTY MUD #12 EMERGENCY GENERATOR GALVESTON COUNTY, TEXAS**

Provider and is deemed to have read and understands the requirements of each of the following, if applicable to the Project under this Contract:

#### **GENERALLY**

The Acts and Regulations specified in this Contract;

Continuing Appropriations Act, 2018 and Supplemental Appropriations for Disaster Relief Requirements Act, 2017 (Public Law 115-56):

The Housing and Community Development Act of 1974 (12 U.S.C. § 5301 et seq.);

The United States Housing Act of 1937, as amended, 42 U.S.C. § 1437f(o)(13) (2016) and related provisions governing Public Housing Authority project-based assistance, and implementing regulations at 24 C.F.R. Part 983 (2016);

Cash Management Improvement Act regulations (31 C.F.R. Part 205);

Community Development Block Grants (24 C.F.R. Part 570);

Uniform Administrative Requirements, Cost Principles, and Audit Requirements for Federal Awards (2 C.F.R. Part 200);

Disaster Recovery Implementation Manual; and State of Texas Plan for Disaster Recovery: Hurricane Harvey – Round 1, dated April 6, 2018, as amended.

#### **CIVIL RIGHTS**

Title VI of the Civil Rights Act of 1964, (42 U.S.C. § 2000d et seq.); 24 C.F.R. Part 1, "Nondiscrimination in Federally Assisted Programs of the Department of Housing and Urban Development - Effectuation of Title VI of the Civil Rights Act of 1964";

Title VII of the Civil Rights Act of 1964, as amended by the Equal Employment Opportunity Act of 1972 (42 U.S.C. § 2000e, et seq.);

Title VIII of the Civil Rights Act of 1968, "The Fair Housing Act of 1968" (42 U.S.C. § 3601, et seq.), as amended;

Executive Order 11063, as amended by Executive Order 12259, and 24 C.F.R. Part 107, "Nondiscrimination and Equal Opportunity in Housing under Executive Order 11063"; The failure or refusal of Provider to comply with the requirements of Executive Order 11063 or 24 C.F.R. Part 107 shall be a proper basis for the imposition of sanctions specified in 24 C.F.R. 107.60;

The Age Discrimination Act of 1975 (42 U.S.C. § 6101, et seq.); and

Section 504 of the Rehabilitation Act of 1973 (29 U.S.C. § 794.) and "Nondiscrimination Based on Handicap in Federally-Assisted Programs and Activities of the Department of Housing and Urban Development", 24 C.F.R. Part 8. By signing this Contract, Provider understands and agrees that the activities funded shall be performed in accordance with 24 C.F.R. Part 8; and the Architectural Barriers Act of 1968 (42 U.S.C. § 4151, et seq.), including the use of a telecommunications device for deaf persons (TDDs) or equally effective communication system.

#### **LABOR STANDARDS**

The Davis-Bacon Act, as amended (originally, 40 U.S.C. §§ 276a-276a-5 and re-codified at 40 U.S.C. §§ 3141-3148); 29 C.F.R. Part 5;

## **GENERAL PROVISIONS**

### **INFORMATION TO BID GALVESTON COUNTY MUD #12 EMERGENCY GENERATOR GALVESTON COUNTY, TEXAS**

The Copeland "Anti-Kickback" Act (originally, 18 U.S.C. § 874 and re-codified at 40 U.S.C. § 3145); 29 C.F.R. Part 3;

Sections 103 and 107 of the Contract Work Hours and Safety Standards Act (originally, 40 U.S.C. §§ 327A and 330 and re-codified at 40 U.S.C. §§ 3701-3708);

Labor Standards Provisions Applicable to Contracts Covering Federally Financed and Assisted Construction (Also Labor Standards Provisions Applicable to Non-construction Contracts Subject to the Contract Work Hours and Safety Standards Act) (29 C.F.R. Part 5); and  
Federal Executive Order 11246, as amended.

#### **EMPLOYMENT OPPORTUNITIES**

Section 3 of the Housing and Urban Development Act of 1968 (12 U.S.C. § 1701u); 24 C.F.R. §§ 135.3(a)(2) and (a)(3);

The Vietnam Era Veterans' Readjustment Assistance Act of 1974 (38 U.S.C. § 4212);

Title IX of the Education Amendments of 1972 (20 U.S.C. §§ 1681-1688); and

Federal Executive Order 11246, as amended.

#### **GRANT AND AUDIT STANDARDS**

Single Audit Act Amendments of 1996, 31 U.S.C. § 7501;

Uniform Administrative Requirements, Cost Principles, and Audit Requirements for Federal Awards (2 C.F.R. Part 200);

Uniform Grant and Contract Management Act (Texas Government Code Chapter 783) and the Uniform Grant Management Standards, issued by Governor's Office of Budget and Planning; and

Title 1 Texas Administrative Code § 5.167(c).

#### **LEAD-BASED PAINT**

Section 302 of the Lead-Based Paint Poisoning Prevention Act (42 U.S.C. § 4831(b)).

#### **HISTORIC PROPERTIES**

The National Historic Preservation Act of 1966 as amended (16 U.S.C. § 470, et seq.), particularly sections 106 and 110 (16 U.S.C. §§ 470 and 470h-2), except as provided in §58.17 for Section 17 projects;

Executive Order 11593, Protection and Enhancement of the Cultural Environment, May 13, 1971 (36 FR 8921), 3 C.F.R., 1971-1975 Comp., p. 559, particularly section 2(c);

Federal historic preservation regulations as follows: 36 C.F.R. Part 800 with respect to HUD programs; and The Reservoir Salvage Act of 1960, as amended by the Archeological and Historic Preservation Act of 1974 (16 U.S.C. § 469, et seq.), particularly section 3 (16 U.S.C. §469a-1).

#### **ENVIRONMENTAL LAW AND AUTHORITIES**

Environmental Review Procedures for Recipients assuming HUD Environmental Responsibilities (24 C.F.R. Part 58, as amended);



## **GENERAL PROVISIONS**

### **INFORMATION TO BID GALVESTON COUNTY MUD #12 EMERGENCY GENERATOR GALVESTON COUNTY, TEXAS**

National Environmental Policy Act of 1969, as amended (42 U.S.C. §§ 4321-4347); and Council for Environmental Quality Regulations for Implementing NEPA (40 C.F.R. Parts 1500-1508).

#### **FLOODPLAIN MANAGEMENT AND WETLAND PROTECTION**

Executive Order 11988, Floodplain Management, May 24, 1977 (42 FR 26951), 3 C.F.R., 1977 Comp., p. 117, as interpreted in HUD regulations at 24 C.F.R. Part 55, particularly Section 2(a) of the Order (For an explanation of the relationship between the decision-making process in 24 C.F.R. Part 55 and this part, see § 55.10.); and

Executive Order 11990, Protection of Wetlands, May 24, 1977 (42 FR 26961), 3 C.F.R., 1977 Comp., p. 121 particularly Sections 2 and 5.

#### **COASTAL ZONE MANAGEMENT**

The Coastal Zone Management Act of 1972 (16 U.S.C. § 1451, et seq.), as amended, particularly sections 307(c) and (d) (16 U.S.C. § 1456(c) and (d)).

#### **SOLE SOURCE AQUIFERS**

The Safe Drinking Water Act of 1974 (42 U.S.C. §§ 201, 300(f), et seq., and 21 U.S.C. §349) as amended; particularly section 1424(e)(42 U.S.C. § 300h-3(e)); and

Sole Source Aquifers (Environmental Protection Agency-40 C.F.R. part 149.).

#### **ENDANGERED SPECIES**

The Endangered Species Act of 1973 (16 U.S.C. § 1531, et seq.) as amended, particularly section 7 (16 U.S.C. § 1536).

#### **WILD AND SCENIC RIVERS**

The Wild and Scenic Rivers Act of 1968 (16 U.S.C. § 1271, et seq.) as amended, particularly sections 7(b) and (c) (16 U.S.C. § 1278(b) and (c)).

#### **AIR QUALITY**

The Clean Air Act (42 U.S.C. § 7401, et seq.) as amended, particularly sections 176(c) and (d) (42 U.S.C. §7506(c) and (d)).

Determining Conformity of Federal Actions to State or Federal Implementation Plans (Environmental Protection Agency-40 C.F.R. Parts 6, 51, and 93).

#### **FARMLAND PROTECTION**

Farmland Protection Policy Act of 1981 (7 U.S.C. § 4201, et seq.) particularly sections 1540(b) and 1541 (7 U.S.C. §§ 4201(b) and 4202); and,

Farmland Protection Policy (Department of Agriculture-7 C.F.R. part 658).

#### **HUD ENVIRONMENTAL STANDARDS**

Applicable criteria and standards specified in HUD environmental regulations (24 C.F.R. Part 51)(other than the runway clear zone and clear zone notification requirement in 24 C.F.R. § 51.303(a)(3); and

HUD Notice 79-33, Policy Guidance to Address the Problems Posed by Toxic Chemicals and Radioactive Materials, September 10, 1979.

#### **ENVIRONMENTAL JUSTICE**

Executive Order 12898 of February 11, 1994—Federal Actions to Address Environmental Justice in Minority Populations and Low-Income Populations, (59 FR 7629), 3 C.F.R., 1994 Comp. p. 859.

## GENERAL PROVISIONS

### INFORMATION TO BID GALVESTON COUNTY MUD #12 EMERGENCY GENERATOR GALVESTON COUNTY, TEXAS

#### SUSPENSION AND DEBARMENT

Use of debarred, suspended, or ineligible contractors or subrecipients (24 C.F.R. §570.609);

General HUD Program Requirements; Waivers (24 C.F.R. Part 5); and

Nonprocurement Suspension and Debarment (2 C.F.R. Part 2424).

#### OTHER REQUIREMENTS

Environmental Review Procedures for Entities Assuming HUD Environmental Responsibilities (24 C.F.R. Part 58).

#### ACQUISITION / RELOCATION

The Uniform Relocation Assistance and Real Property Acquisition Policies Act of 1970 (42 U.S.C. § 4601, et seq.), 24 C.F.R. Part 42, and 24 C.F.R. § 570.606.

#### FAITH-BASED ACTIVITIES

Executive Order 13279 of December 12, 2002 - Equal Protection of the Laws for Faith-Based and Community Organizations, (67 FR 77141).

### 73. SPECIAL CONDITIONS – TEXAS GENERAL LAND OFFICE (GLO)

If applicable to a Project or Activity, Subrecipient must be in compliance with the following Special Conditions and any other State, Federal, or local laws, rules, and regulations as may be applicable, throughout the term of the Contract, prior to the release of any grant funds for the Projects or Activities anticipated.

Subrecipient is deemed to have read and to understand the requirements of each of the following, if applicable to the Project or any Activity under this Contract:

#### **A. REIMBURSEMENT, GENERALLY**

As provided for in Public Law 115-56, the Contract funds may not be used for activities that are eligible to be reimbursed by, or for which funds are made available by, (a) the Federal Emergency Management Agency (FEMA); (b) the Army Corps of Engineers (Corps); (c) any other federal funding source; or (d) covered by insurance, and Subrecipient shall ensure compliance with all such requirements.

#### **B. NATIONAL FLOOD INSURANCE PROGRAM COMPLIANCE**

- (1) Subrecipient must provide documentation which indicates they have received approval from the Texas Water Development Board (TWDB), the National Flood Insurance Program (NFIP) State Coordinating Agency, that appropriate ordinances or orders necessary for Subrecipient to be eligible to participate in the NFIP have been adopted.
- (2) Where Activities specified in a Performance Statement, involve structures that are located in Special Flood Hazard Areas (SFHA), flood insurance may be required, and Subrecipient shall obtain such insurance, and shall maintain documentation evidencing compliance with such requirements.
- (3) Subrecipient acknowledges and agrees that if any property that is the subject of an Activity under this Contract located within a floodplain, that the following terms and conditions shall apply:
  - a. Under the Flood Disaster Protection Act of 1973, as amended (42 U.S.C. 4001-4128), Federal financial assistance for acquisition and construction purposes (including rehabilitation) may not be used in an area identified by the Federal Emergency Management Agency (FEMA) as having special flood hazards, unless:

## GENERAL PROVISIONS

### INFORMATION TO BID

#### GALVESTON COUNTY MUD #12 EMERGENCY GENERATOR GALVESTON COUNTY, TEXAS

- i. The community in which the area is situated is participating in the National Flood Insurance Program ("NFIP") (44 CFR parts 59 through 79), or less than one (1) year has passed since the FEMA notification regarding such hazards; and
  - ii. The community is participating in the NFIP, or that flood insurance protection is to be obtained as a condition of the approval of financial assistance to the property owner.
- b. Where the community is participating in the NFIP and the recipient provides financial assistance for acquisition or construction purposes (including rehabilitation) for property located in an area identified by FEMA as having special flood hazards, Subrecipient is responsible for ensuring that flood insurance under the NFIP is obtained and maintained.
- c. Under Section 582 of the National Flood Insurance Reform Act of 1994, 42 U.S.C. 515a, HUD disaster assistance that is made available in a special flood hazard area may not be used to make a payment (including any loan assistance payment) to a person for repair, replacement, or restoration for flood damage to any personal, residential, or commercial property if:
  - i. The person had previously received Federal flood disaster assistance conditioned on obtaining and maintaining flood insurance; and
  - ii. The person failed to obtain and maintain flood insurance.
- d. Subrecipient understands and agrees that it has a responsibility to inform homeowners receiving disaster assistance that triggers the flood insurance purchase requirement of their statutory responsibility to notify any transferee of the requirement to obtain and maintain flood insurance, and that the transferring owner may be liable if he or she fails to do so.

#### C. PROJECT MAPPING/DESIGN INFORMATION

For construction projects, Subrecipient shall require and maintain copies, in written and/or digital format, of final Project record drawing(s) and engineering schematics, as constructed.

#### D. WATER SYSTEM IMPROVEMENTS

- (1) Prior to the GLO's release of funds for the construction of any water system improvements, Subrecipient shall provide certification to the GLO that plans, specifications, and related documents for the specified water system improvements have been prepared by the engineer selected for such activities, or the engineer's duly authorized representative, and that the review of such plans, specifications, and related documents meet the applicable Texas Commission on Environmental Quality (TCEQ) review requirements described in Title 30 of the Texas Administrative Code.
- (2) Prior to construction, Subrecipient shall provide documentation to the GLO that an approved new or amended Certificate of Convenience and Necessity (CCN), or the equivalent permit or authority for the area to be served, has been issued by the TCEQ.
- (3) Prior to Subrecipient submission of the Project Completion Report for any water system improvements described in Attachment A, Subrecipient shall provide a letter from the TCEQ that the constructed well is approved for interim use and may be temporarily placed into service pursuant to 30 Texas Administrative Code, Chapter 290—Rules and Regulations for Public Water Systems.

#### E. SEWER SYSTEM IMPROVEMENTS

Prior to the construction of any sewer system improvements described, Subrecipient shall provide certification that plans, specifications, and related documents for the specified sewer system improvements have been prepared by the engineer selected for such activities, or the engineer's duly authorized representative, and that

## **GENERAL PROVISIONS**

### **INFORMATION TO BID GALVESTON COUNTY MUD #12 EMERGENCY GENERATOR GALVESTON COUNTY, TEXAS**

the review of such plans, specifications, and related documents meet the Texas Commission on Environmental Quality (TCEQ) review requirements described in 30 Texas Administrative Code, Chapter 217, Subchapter D.

Further, prior to the construction of any sewer lines or additional service connections described in Attachment A, Subrecipient shall provide notification of the start of construction on any sewer treatment plant of other system-related improvements included in this Contract.

#### **F. WASTEWATER TREATMENT CONSTRUCTION**

Prior to incurring costs for any wastewater treatment construction in Attachment A, Subrecipient shall provide documentation of an approved permit or amendment(s) to an existing permit for such activities from the TCEQ's Water Quality Division.

In addition, Subrecipient shall provide documentation to the GLO that an approved new or amended Certificate of Convenience and Necessity (CCN), or equivalent permit or authority for the area to be served has been issued by the TCEQ.

#### **G. SEPTIC SYSTEM IMPROVEMENTS**

- (1) Subrecipient shall provide documentation that final plans, specifications, and installation of its septic system improvements have been reviewed and approved by the City or County Health Department through authority granted by the TCEQ.
- (2) Subrecipient shall mitigate all existing septic systems in accordance with 30 Texas Administrative Code Chapter 285, Subchapter D, §285.36(b), which states, "All tanks, boreholes, cesspools, seepage pits, holding tanks, and pump tanks shall have the wastewater removed by a waste transporter, holding a current registration with the executive director. All tanks, boreholes, cesspools, seepage pits, holding tanks, and pump tanks shall be filled to ground level with fill material (less than three inches in diameter), which is free of organic and construction debris."
- (3) Prior to the selection of program recipients for proposed On-Site Sewer Facilities (OSSF), Subrecipient shall provide a copy of its proposed program guidelines to for GLO review. All proposed OSSF programs must meet or exceed guidelines set forth in 30 Texas Administrative Code Chapter 285 Subchapter D.

#### **H. BUILDING CONSTRUCTION**

Subrecipient shall provide documentation that the construction of a new building and facilities are in compliance with the Texas Accessibility Standards (TAS) of the Architectural Barriers Act, Chapter 469, Texas Government Code, and the Texas Department of Licensing and Regulation (TDLR) Architectural Barriers Administrative Rules, 16 Texas Administrative Code, Part 4, Chapter 68. If estimated construction costs exceed Fifty Thousand Dollars (\$50,000.00), Construction Documents must be submitted to the Texas Department of Licensing and Regulation (TDLR) for an accessibility plan review.

#### **I. BRIDGE CONSTRUCTION/REHABILITATION**

Subrecipient shall use the minimum design requirements of the Texas Department of Transportation (TxDOT) for bridge construction/rehabilitation. Final plans and specifications must be submitted to TxDOT for review and approval prior to the start of construction, and documentation of such approval must be provided to the GLO.

#### **J. DISASTER SHELTERS**

Subrecipient shall ensure that the primary purpose of the facility, as described in Attachment A, is to serve as a disaster shelter, and shall ensure the facility is operated at all times in a manner that ensures that the priority use is to serve as a disaster shelter regardless of any other scheduled uses or commitments that existed at the time of the disaster or emergency situation. In addition, Subrecipient shall prepare or be incorporated into an approved emergency management plan, as prescribed by the Texas Division of Emergency Management,

## **GENERAL PROVISIONS**

### **INFORMATION TO BID GALVESTON COUNTY MUD #12 EMERGENCY GENERATOR GALVESTON COUNTY, TEXAS**

identifying the shelter as a facility that provides short-term lodging for evacuees during and immediately after an emergency situation. Subrecipient shall submit a copy of Subrecipient's Emergency Management Plan Annex for Shelter and Mass Care to the GLO.

#### **K. DEBRIS REMOVAL**

Subrecipient shall ensure that any debris to be removed consists primarily of vegetation, construction and demolition materials from damaged or destroyed structures, and personal property. Only debris identified as the responsibility of the local jurisdiction will be eligible for the reimbursement of cost of removal.

Prior to beginning debris collection operations, Subrecipient shall address all pertinent environmental concerns, adhere to all applicable regulations, and obtain all required permits. Further, Subrecipient shall adhere to the methods described herein for the collection and storage of debris prior to proper disposal.

While construction and demolition debris may be collected and disposed of at an appropriately rated landfill, woody and/or vegetative debris must be stored prior to disposal by use of temporary debris storage and reduction sites (TDSR). Subrecipient will prepare and operate the TDSR sites, or local jurisdictions choosing to conduct their own debris operations may review Chapter 7 of the FEMA Debris Management Guide regarding the use of TDSR sites. This document may be obtained <https://www.fema.gov/pdf/government/grant/pa/demagde.pdf>.

In order to maintain the life expectancy of landfills, Subrecipients disposing of woody and/or vegetative debris must choose burning, chipping, or grinding as the method of disposal. Any project disposing of woody and/or vegetative debris must be approved in writing by the GLO.

#### **L. USE OF BONDS**

Subrecipient must notify the GLO of its issuance and sale of bonds for completion of the project funded under this Contract.

#### **M. PROGRAM GUIDELINES**

Prior to the selection of program beneficiaries, Subrecipient shall provide to the GLO, for GLO review and approval, a copy of its proposed guidelines for the program. The guidelines must meet or exceed to requirements in the Federal Registers. The guidelines must include provisions for compliance with the Federal Fire Prevention and Control Act of 1974 (which requires that any housing unit rehabilitated with grant funds be protected by a hard-wired or battery-operated smoke detector) and provisions for compliance with 24 CFR 35 (HUD lead-based paint regulation).

#### **N. AFFORDABILITY PERIODS FOR SINGLE-FAMILY HOUSING REHABILITATION, RECONSTRUCTION, OR NEW CONSTRUCTION ASSISTANCE**

For single-family non-rental housing assistance provided by Subrecipient, Subrecipient shall implement the following affordability period: for rehabilitation or reconstruction of housing projects, a minimum<sup>1</sup> three-year affordability period guaranteed by an unsecured forgivable promissory note and for new construction housing projects, a minimum<sup>2</sup> five-year affordability period guaranteed by an unsecured forgivable promissory note.

#### **O. UNSECURED FORGIVABLE PROMISSORY NOTE ("NOTE")**

An unsecured forgivable promissory note shall be issued at an interest rate of zero-percent (0%). Provided that all terms and conditions contained in the Note continue to be fulfilled, a Note will be forgiven according to the following terms, as applicable, until the applicant fulfills their note requirement (the requirements are defined in the promissory note document): for a three-year Note, at a rate of 33 percent per year, for the first two years, and 34 percent after the third year; and for a five-year Note, at a rate of 20% per year.

## GENERAL PROVISIONS

### INFORMATION TO BID GALVESTON COUNTY MUD #12 EMERGENCY GENERATOR GALVESTON COUNTY, TEXAS

- (1) If the homeowner occupies the home for the full Note term, the Note expires and no repayment is required, nor will any conditions be imposed relative to the disposition of the property. If any of the terms and conditions under which the assistance was provided are breached or if the property is sold, leased, transferred, or vacated by the homeowner for any consecutive thirty (30) day period during the Note term, the repayment provisions of the promissory note and DOT shall be enforced.
- (2) If, during the Note term, the homeowner vacates the unit for any consecutive thirty (30) day period, the locality may forgive, as evidenced by the program director, city council, or commissioner court action, the remaining loan balance. Prior to forgiveness of all or any portion of the assistance provided, the request for forgiveness must be approved by the local governing body and be based on documented and justifiable conditions or circumstances that would result in an unnecessary hardship to the homeowner and the determination that the national objective of benefiting low to moderate-income persons was met.
- (3) The national objective will be considered met only when the program director, city council, or county commissioners court determines that a low- to moderate-income person has occupied the rehabilitated or reconstructed home for a time sufficient to meet the national objective. If the national objective was not achieved, Subrecipient is liable for repayment of an amount equal to the difference in the appraised value of the home prior to reconstruction and the sales price when the home is sold during the term of the forgivable Note.
- (4) If the property is sold or transferred to a person other than an eligible LMI person, the remaining pro-rated balance of the DPL must be repaid by the Subrecipient from the sales proceeds. Notwithstanding the preceding, Subrecipient shall be held liable for any balance remaining over and above the sales proceeds. In all instances, upon completion of the Note or repayment of the assistance (in full or in part), the Subrecipient shall prepare and record a release of lien document in the land records of the applicable county.
- (5) Monitoring of the Note is performed during and after the grant is closed. Subrecipient must utilize non-CDBG-DR funds to fulfill the monitoring obligations for its impacted recovered community.
- (6) The subrecipient will maintain a list of homeowners that do not maintain flood insurance as documented in their promissory note. These applicants will not be allowed to receive future assistance as outlined in Section B of this document.

#### **P. RENTAL HOUSING REHABILITATION, RECONSTRUCTION, OR NEW CONSTRUCTION ASSISTANCE**

The rental housing assistance will be provided in the following forms: for rehabilitation or reconstruction of multi-family rental projects with eight or more units, a minimum fifteen (15) year forgivable loan or grant at zero interest; and for new construction multi-family rental projects with five or more units, a minimum twenty (20) year forgivable loan or grant at zero interest. Provided all terms and conditions under which the assistance was provided continue to be fulfilled, the note will be forgiven at a rate of 5 percent per year until the applicant fulfills their note requirement (the requirements are defined in the promissory note document).

The purpose of the program is to facilitate the rehabilitation, reconstruction, and/or new construction of affordable rental housing needs within the service area of the disaster event. A minimum of 51% of the multi-family units must be restricted during the affordability period of twenty (20) years for low to moderate income (LMI) persons. The rents, at a minimum, must comply with High HOME Investment Partnership (HOME) Rents and other existing Land Use Restriction Agreement (LURA) restrictions if applicable. HOME rent limits are defined by HUD and must equal the lesser of fair market rents or 30% of the adjusted income for people earning 65% of the AMFI.

## **GENERAL PROVISIONS**

### **INFORMATION TO BID GALVESTON COUNTY MUD #12 EMERGENCY GENERATOR GALVESTON COUNTY, TEXAS**

#### **Q. COASTAL MANAGEMENT**

Subrecipient acknowledges and agrees that any Project that may impact a Coastal Natural Resource Area must be consistent with the goals and policies of the Texas Coastal Management Program as described in 31 Texas Administrative Code, Part 16, Chapter 501.

#### **74. ENERGY EFFICIENCY (42 U.S.C. 6201 and 2 CFR 200 APPENDIX II (H))**

Contractor must comply with the mandatory standards and policies relating to energy efficiency, which are contained in the state energy conservation plan issued in compliance with the Energy Policy and Conservation Act (42 U.S.C. 6201). Contractor must include this provision in all contracts between itself and any subcontractors in connection with the services performed under this Contract.

#### **75. LEAD AND ASBESTOS**

If this request for Bid involves remediation, demolition, reconstruction, rehabilitation, repair, or construction, or other applicable activities, the Contractor shall be responsible for performing investigations of lead and asbestos containing materials, and any required lead and asbestos abatement in compliance with Federal, State, and local laws, rules, regulations, ordinances and orders, relating to lead abatement and asbestos abatement as applicable, including but not limited to the Texas Asbestos Health Protection Act, codified as Chapter 1954 of the Occupations Code; the Texas Asbestos Health Protection Regulations, located at Title 25, Part 1, Chapter 295, Subchapter C of the Texas Administrative Code; Chapter 1955 of the Texas Occupations Code (lead-based paint abatement); the Texas Environmental Lead Reduction regulations, located at Title 25, Part 1, Chapter 295, Subchapter I of the Texas Administrative Code; the federal National Emission Standards for Asbestos regulations, located at Title 40, Part 61, Subpart M of the Code of Federal Regulations, and the National Emission Standards for Hazardous Air Pollutants. Contractor shall perform such inspections, encapsulation, remediation, or other actions as required by federal, State, or local requirements in accordance with the federal Environmental Protection Agency (EPA), Texas Department of State Health Services (TXDHS), and Texas Commission on Environmental Quality (TCEQ) requirements.

#### **76. USE OF DHS SEAL, LOGO, AND FLAGS PROHIBITED WITHOUT PRIOR APPROVAL**

Contractor must obtain permission from the U.S. Department of Homeland Security financial assistance office (DHS FAO) **prior** to using DHS seals(s), logos, crests, or reproductions of flags or likenesses of DHS agency officials, including use of the United States Coast Guard seal, logo, crests or reproductions of flags or likenesses of Coast Guard Officials.

#### **77. FEDERAL GOVERNMENT NOT A PARTY**

Contractor acknowledges that the Federal Government is not a party to the contract and is not subject to any obligations or liabilities to Galveston County, contractor, or any other party pertaining to any matter resulting from the contract.

#### **78. PROGRAM FRAUD AND FALSE OR FRAUDULENT STATEMENTS OR RELATED ACTS**

In contracts funded through Federal grants, Contractor acknowledges that 31 U.S.C. Chapter 38, Administrative Remedies for False Claims and Statements (31 U.S.C. § 3801, et seq.) and the implementing regulations thereunder, 49 C.F.R. Part 79, apply to Contractors actions pertaining to the contract.

**GENERAL PROVISIONS**

**INFORMATION TO BID  
GALVESTON COUNTY MUD #12 EMERGENCY GENERATOR  
GALVESTON COUNTY, TEXAS**

**79. ACKNOWLEDGMENT OF GOVERNMENT RECORD**

Bidder acknowledges that its submission in this Request for Bids, including its Bid, certifications, affidavits, Vendor Forms (i.e., PEID, W-9, CIQ, etc.) constitutes government records under Chapter 37 of the Texas Penal Code.

**80. COMPLIANCE WITH GALVESTON COUNTY PURCHASING POLICIES AND PROCEDURES**

Bidder acknowledges, by its submission in this request for bids, that it shall comply with the Galveston County Purchasing Policies & Procedures Manual approved by Order of the Galveston County Commissioners' Court on March 7, 2018.

**81. ENTIRETY OF AGREEMENT AND MODIFICATION**

This contract contains the entire agreement between the parties. Any prior agreement, promise, negotiation, or representation not expressly set forth in this contract has no force or effect. Any subsequent modification to this contract must be in writing, signed by both parties.

An official representative, employee, or agent of the County does not have the authority to modify or amend this contract except pursuant to specific authority to do so granted by the Galveston County Commissioners' Court.

*The remainder of this page intentionally left blank*



**GENERAL PROVISIONS**

**INFORMATION TO BID  
GALVESTON COUNTY MUD #12 EMERGENCY GENERATOR  
GALVESTON COUNTY, TEXAS**

**82. NOTICE**

All notices or other communications required or permitted under this contract shall be in writing and shall be deemed to have been duly given if delivered personally in hand, transmitted by facsimile, or mailed certified mail, return receipt requested with proper postage affixed and addressed to the appropriate party at the following address or at such other address as may have been previously given in writing to the parties (Bidder shall provide its notice information with its Bid submission). If mailed, the notice shall be deemed delivered when actually received, or if earlier, on the third day following deposit in a United States Postal Service post office or receptacle, duly certified, return receipt requested, with proper postage affixed. If delivered in person, notice shall be deemed delivered when received for by, or actually received by the receiving Party. If transmitted by facsimile, notice shall be deemed delivered when receipt of such transmission is acknowledged.

**To the County at:**

Hon. Mark Henry,  
County Judge of Galveston County  
722 Moody (21<sup>st</sup> Street), Second (2<sup>nd</sup>) Floor  
Galveston, Texas 77550  
Fax: (409) 765-2653

**With copies to:**

Rufus Crowder, CPPO CPPB,  
Galveston County Purchasing Agent  
722 Moody (21<sup>st</sup> Street), Fifth (5<sup>th</sup>) Floor  
Galveston, Texas 77550  
Fax: (409) 621-7997

**To the Contractor at:**

*End of General Provisions*

**SPECIAL PROVISIONS**

**INVITATION TO BID  
GALVESTON COUNTY MUD #12 EMERGENCY GENERATOR  
GALVESTON COUNTY, TEXAS**

**TABLE OF CONTENTS**

A.	PURPOSE .....	2
B.	EXCEPTIONS TO BID CONDITIONS.....	2
C.	PROCUREMENT TIMELINE .....	2
D.	NON-MANDATORY PRE-BID CONFERENCE.....	3
E.	SUBMISSION INSTRUCTIONS.....	3
F.	BID SURETY .....	4
G.	PERFORMANCE AND PAYMENT BONDS.....	4
H.	BEST AND FINAL OFFERS (BAFO) .....	5
I.	DAVIS-BACON WAGE RATES .....	5
J.	PERSONNEL TO CONTACT .....	5
K.	PROGRAM ADMINISTRATION & CONTRACT MANAGEMENT.....	6
L.	INTENT TO BID .....	7
M.	REQUIREMENTS OF INVITATION TO BID .....	7
M.	INSURANCE.....	7
N.	AWARDED PRICES.....	8
O.	INVOICES: .....	8
P.	<b>REQUIRED DOCUMENTS CHECKLIST .....</b>	<b>9</b>

## SPECIAL PROVISIONS

### INVITATION TO BID GALVESTON COUNTY MUD #12 EMERGENCY GENERATOR GALVESTON COUNTY, TEXAS

The General Provisions and the Special Provisions of this Invitation to Bid and the Exhibits attached hereto are made a part of this agreement between the Parties. In the event of a conflict between the General Provisions and the Special Provisions, the terms of the Special Provisions shall control.

#### A. PURPOSE

The purpose of this bid is to receive and award a construction contract to build and make operational an emergency generator for Galveston County Municipal District # 12 (MUD- 12) for its Emergency Operations Center (EOC) located at 2929 Hwy 6 Bayou Vista, Texas. Federal grant dollars will be used in this project.

Galveston County and the MUD -12 were awarded federal grant fund to engineer- design, purchase, and have installed a emergency generator at the MUD-12 EOC. The 100% engineer-design is complete and has been incorporated as part of this Invitation to Bid.

There are no known State Historical Preservation Office (SHPO) concerns on this project.

#### B. EXCEPTIONS TO BID CONDITIONS

**The Bidder will list on a separate sheet of paper any exceptions to the conditions of this Invitation to Bid.** This sheet will be labeled, "Exceptions to Bid Conditions", and will be attached to the Bid submittal.

If no exceptions are stated, **it will be understood that all general and special conditions will be complied with, without exception.**

The Bidder must specify in its Bid any alternatives it wishes to propose for consideration by the County. Each alternative should be sufficiently described and labeled within the Bid and should indicate its possible or actual advantage to the program being offered.

The County reserves the right to offer these alternatives to other Bidders.

#### C. PROCUREMENT TIMELINE

A timeline for this solicitation and initial process is included below. Galveston County reserves the right to change these dates and will notify Bidders of any changes:

Advertise Solicitation (first date of publication)	Wednesday, January 5, 2024
Advertise Solicitation (second date of publication)	Wednesday, January 12, 2024
Non-Mandatory Pre-Bid Conference	Wednesday, January 17, 2024 at 10:00 AM CST
Deadline for Questions & Inquiries	Wednesday, January 24, 2024 by 5:00 PM CST
Submission Deadline / Bid Opening	Thursday, February 8, 2024, at 2:00 PM CST

#### **Virtual Bid Opening:**

Interested parties can attend the Thursday, February 8, 2024, 2:00 PM CST bid opening virtually. Instructions are listed below:

Join from the meeting link:

**<https://galvestoncountvtx.webex.com/galvestoncountvtx/j.php?MTID=m14a9d2132ba39a59c147d658e5475451>**

## **SPECIAL PROVISIONS**

### **INVITATION TO BID GALVESTON COUNTY MUD #12 EMERGENCY GENERATOR GALVESTON COUNTY, TEXAS**

**Join by meeting number**

**Meeting number (access code): 2497 672 0152**

**Meeting password: B242006 (2242006 from video systems)**

**Tap to join from a mobile device (attendees only)**

**+1-415-655-0001,,24976720152## US Toll**

**Join by phone**

**+1-415-655-0001 US Toll**

**Global call-in numbers**

**Join from a video system or application**

**Dial 24976720152@galvestoncountytx.webex.com**

**You can also dial 173.243.2.68 and enter your meeting number.**

#### **D. NON-MANDATORY PRE-BID CONFERENCE**

**A non-mandatory pre-bid conference will be held on Wednesday, January 17, 2024, 10:00 AM.**

**Interested parties can attend the non-mandatory pre-bid conference virtually. Instructions are listed below.**

**Join from the meeting link:**

**<https://galvestoncountytx.webex.com/galvestoncountytx/j.php?MTID=m68923a400b0e6fa0e2678da094964967>**

**Join by meeting number**

**Meeting number (access code): 2487 002 5955**

**Meeting password: B242006 (2242006 from video systems)**

**Tap to join from a mobile device (attendees only)**

**+1-415-655-0001,,24870025955## US Toll**

**Join by phone**

**+1-415-655-0001 US Toll**

**Global call-in numbers**

**Join from a video system or application**

**Dial 24870025955@galvestoncountytx.webex.com**

**You can also dial 173.243.2.68 and enter your meeting number.**

#### **E. SUBMISSION INSTRUCTIONS**

**One (1) unbound single-sided original Bid, and three (3) single-sided copies must be submitted no later than 2:00 PM CST, on Thursday, February 8, 2024:**

**Rufus G. Crowder, CPPO CPPB  
Purchasing Agent  
County of Galveston  
722 Moody Avenue (21<sup>st</sup> Street), Fifth (5<sup>th</sup>) Floor**

## SPECIAL PROVISIONS

### INVITATION TO BID GALVESTON COUNTY MUD #12 EMERGENCY GENERATOR GALVESTON COUNTY, TEXAS

Galveston, TX 77550

The time stamp clock located in the Purchasing Agent's office shall serve as the official time keeping piece for this solicitation process. Any bids received after **2:00 P.M. CST** on the specified date will be returned unopened.

Specifications can be obtained at the office of the Galveston County Purchasing Agent, located in the Galveston County Courthouse, 722 Moody, (21<sup>st</sup> Street), Floor 5, Purchasing, Galveston, Texas 77550, or by visiting the Galveston County website @ <http://www.galvestoncountytx.gov/county-offices/purchasing>

#### F. BID SURETY

Each Bidder shall be required to submit a Bid guarantee with its Bid as required within this Section.

Evidencing its firm commitment to engage in contract if Bidder is selected for award of contract, each Bidder is required to furnish with their bid a cashier's check or an acceptable Bidder's bond (generally, a bid bond) in the amount of five percent (5%) of the total contract price. If Bidder is using a bond, then the bond must be executed with a surety company authorized to do business in the State of Texas. Failure to furnish the Bid guarantee in the proper form and amount, by the time set for opening of Bids may be cause for rejection of the Bid.

The cashier's check or Bidder bond (as applicable) will be returned to each respective unsuccessful Bidder(s) after the Commissioners' Court award of contract and shall be returned to the successful Bidder upon the completion and submission of all contract documents. Provided however, that the cashier's check or Bidder bond will be forfeited to the County as liquidated damages should successful Bidder fail to execute the contract within thirty (30) days after receiving notice of the acceptance of its Bid.

#### G. PERFORMANCE AND PAYMENT BONDS

Performance and Payment Bonds are requirements of this solicitation. Successful Bidder, before beginning work, shall execute a performance bond and a payment bond, each of which must be in the amount of the contract. The required payment and performance bonds must each be executed by a corporate surety authorized to write surety bonds in the State of Texas and in accordance with Chapter 3503 of the Insurance Code (codified in 2005 and originally within Section 1, Chapter 87, Acts of the 56<sup>th</sup> Leg., R.S., 1959, and in Article 7.19-1, Vernon's Texas Insurance Code).

The performance and payment bonds must each clearly and prominently display on the bond or on an attachment to the bond:

- a.) The name, mailing address, physical address, and telephone number, including the area code, of the surety company to which any notice of claim should be sent; or
- b.) The toll-free telephone number maintained by the Texas Department of Insurance under Subchapter B, Chapter 521, Insurance Code, and a statement that the address of the surety company to which any notice of claim should be sent may be obtained from the Texas Department of Insurance by calling the toll free-telephone number.

The performance bond shall be solely for the protection of Galveston County, in the full amount of the contract, and conditioned on the faithful performance of the work in accordance with the plans, specifications, and contract documents. The payment bond is solely for the protection and use of payment bond beneficiaries who have a direct contractual relationship with the prime contractor or a subcontractor to supply labor or material, and in the amount of the contract.

## SPECIAL PROVISIONS

### INVITATION TO BID GALVESTON COUNTY MUD #12 EMERGENCY GENERATOR GALVESTON COUNTY, TEXAS

The payment and performance bonds required to be furnished herein must be furnished before the contractor begins work and are a requirement for issuance of a Notice to Proceed. Such bonds must be furnished to the Galveston County Purchasing Agent within thirty (30) calendar days after the date of the full execution of the contract or, if applicable, as required under Chapter 2253, Government Code, whichever is earlier. Contractor's failure to provide the required payment and performance bonds within such time period shall constitute an event of default under this contract. Contractor shall not commence work until all applicable certificates of insurance, performance bonds, and payment bonds have been received and approved by the County Purchasing Agent and the Contractor receives notice to proceed in writing that has been issued by the County Purchasing Agent.

Additionally, if this request for Bid is for the award of a public works contract, then compliance with Chapter 2253 of the Texas Government Code, which is known as the McGregor Act, is mandatory. Performance and payment bonds are required to be furnished in accordance with Chapter 2253 of the Texas Government Code. Bidder should familiarize itself with the entire provisions of Chapter 2253 of the Texas Government Code.

#### H. BEST AND FINAL OFFERS (BAFO)

The Best and Final Offer process *is not applicable* to this solicitation.

#### I. DAVIS-BACON WAGE RATES

Davis-Bacon Wage Rates *are requirements* of this solicitation.

Attention is called to the fact that not less than, the federally determined prevailing (Davis-Bacon and Related Acts) wage rates are required to be paid to laborers and mechanics. When required by Federal program legislation, all prime construction contracts in excess of \$2,000 must include a provision for compliance with the Davis-Bacon Act as supplemented by the Department of Labor regulations (29 C.F.R. Part 5, "Labor Standards Provisions Applicable to Contracts Covering Federally Financed and Assisted Construction"). In accordance with the statute, contractor must be required to pay wages to laborers and mechanics at a rate not less than the prevailing wages specified in a wage determination made by the Secretary of Labor. The decision to award a contract or subcontract must be conditioned upon the acceptance of the wage determination. In addition, contractors must be required to pay wages not less than once a week. In addition, the successful bidder must ensure that employees and applicants for employment are not discriminated against because of race, color, religion, sex, age, or national origin. Please reference the General Provisions, item 69, Procurement Laws, sub-item 3, **Davis-Bacon Act as amended (40 U.S.C. 3141-3148)**.

#### J. PERSONNEL TO CONTACT

Bidders desiring an explanation or interpretation relative to this solicitation must request it in writing. Oral explanations or instructions will not be binding. Any information given to a Bidder, which in the opinion of the County affects all Bidders or would be prejudicial to other Bidders if not communicated, shall be furnished to all Bidders as an addendum to the solicitation. Bidders **must** direct all inquiries to the following:

**Rufus G. Crowder, CPPO CPPB**  
**Purchasing Agent**  
**722 21<sup>st</sup> Street (Moody)**  
**Galveston, Texas 77550**  
**e-mail: [purchasing.bids@co.galveston.tx.us](mailto:purchasing.bids@co.galveston.tx.us)**

## SPECIAL PROVISIONS

### INVITATION TO BID GALVESTON COUNTY MUD #12 EMERGENCY GENERATOR GALVESTON COUNTY, TEXAS

Bidders must e-mail their requests (with the subject line “Galveston County MUD # 12 Emergency Generator– ITB #B242006– Questions”) for additional information and/or clarification to the address listed above. The request must include the Bidder’s name and the solicitation number and title.

***Any request for additional information or clarification must be received in writing no later than ten (10) calendar days prior to the solicitation due date.*** Late requests or those not delivered to the proper address may not receive a reply. Bidders shall not attempt to contact the County by any other means. The Purchasing Agent shall post the answers on the County website from the procurement web page and via addendum.

The County will issue responses to inquiries and any other corrections or amendments, it deems necessary, in the form of a written addendum, issued prior to the solicitation Submission Deadline / Solicitation Opening date. The County, at its sole discretion, may not issue a response to an RFI submittal. Bidders should not rely on any oral or written representations, statements, or explanations, other than those made in this solicitation or in any written addendum to this solicitation. Where there appears to be conflict between the solicitation and any issued addenda, the last addendum issued will prevail.

Addenda will be posted and made available on the County’s procurement web page. **It is the Bidder’s sole responsibility to ensure receipt of all addenda prior to submitting its response.** All Bidders should check the County’s procurement web page for all addenda prior to submitting a response.

The County’s procurement web page is located at <http://www.galvestoncountytexas.gov/county-offices/purchasing>

The Bidder must acknowledge the receipt of all addenda on the forms provided. In the event a Bidder fails to acknowledge receipt of such addenda, the County may, at its sole discretion, determine that such failure to acknowledge any or all addenda does not materially affect the solicitation and waive the acknowledgement of one or more addenda.

Bidders who submit inquiries *after* the deadline date for receipt of questions indicated on the Procurement Timeline, risk that its response in the procurement will not be responsive or competitive because the County is not able to respond before the solicitation receipt date or in sufficient time for the Bidder to prepare a responsive or competitive submittal.

All questions and responses as posted on the County website pertaining to this solicitation are considered an addendum to, and part of, this solicitation. Each Bidder shall be responsible to monitor the County website for new or revised solicitation information. The County shall not be bound by any verbal information, nor shall it be bound by any written information that is not either contained within the solicitation or formally issued as an addendum by the Purchasing Agent.

#### K. PROGRAM ADMINISTRATION & CONTRACT MANAGEMENT

The Program Administrator/Contract Manager that will manage the work to be performed under the resultant contract for the purpose of this solicitation is:

**Elizabeth Thomas  
Grants Administrator  
722 Moody, (21<sup>st</sup> St.), 3rd Floor  
Galveston, TX 77550**

The Galveston County Commissioners’ Court, and/or authorized designees will be responsible for negotiating with the successful Vendor the scope of work, the standards of performance, the specific technology provided, and the support services required for the proposed projects. All contractual amendments will be processed in accordance with

## SPECIAL PROVISIONS

### INVITATION TO BID GALVESTON COUNTY MUD #12 EMERGENCY GENERATOR GALVESTON COUNTY, TEXAS

Galveston County Purchasing Policies. Amendments will also be brought to Galveston County Commissioners Court for approval as deemed necessary. The approval process serves to ensure the project technology and/or service is within the scope of the resultant contract, and that pricing meets the agreed upon pricing methodology as specified in the contract, and that funds are available.

#### L. INTENT TO BID

It is Galveston County's intent to award one contract to the lowest and best responsive bidder. As a part of this bid process, Galveston County has opted for a mandatory Pre-Bid Conference to be held at the 1986-constructed MUD-12 EOC to offer bidders a opportunity to view the interior of the facility and gain knowledge of the electrical infrastructure already in place at their location.

Please note: the MUD-12 Emergency Operations Center may be occupied by personnel during the construction indicating any electrical outages and other concerns may need to be coordinated with MUD-12 personnel.

#### M. REQUIREMENTS OF INVITATION TO BID

Bidder shall provide one (1) unbound single-sided original and three (3) single-sided hard copies of its response, to the Purchasing Agent on or before the submission deadline specified herein. Font size is limited to no smaller than font size 11, except that organizational charts, other graphics, and footers may be as small as font size 9.

Bidders shall clearly indicate which project or projects are being submitted for consideration in their cover letter.

#### M. INSURANCE

Bidder must submit, with its response, a current certificate of insurance evidencing coverage in the amounts specified below or greater. In lieu of submitting a certificate of insurance, Bidders may submit a notarized statement from an insurance company authorized to conduct business in the State of Texas guaranteeing that Bidder has such insurance. Provided however, that successful Bidder(s) shall be required to provide a current certificate of insurance to the Galveston County Purchasing Agent's Office before Bidder commences any work hereunder. **Insurance shall be placed with insurers having an A.M. Best's rating of no less than A.** Such insurance must be issued by a casualty company authorized to do business in the State of Texas, and in standard form approved by the Board of Insurance Commissioners of the State of Texas, with coverage provisions ensuring the public from loss or damage that may arise to any person or property by reason of services rendered by Contractor.

**Galveston County shall be listed as an additional insured on each policy and all certificates of insurance and Contractor shall provide Galveston County with no less than thirty (30) calendar days prior notice of any changes to the policy during the contractual period.**

Certificates of Insurance, fully executed by a licensed representative of the insurance company written or countersigned by an authorized Texas state agency, shall be filed with the County Purchasing Agent within ten (10) calendar days of the execution of this Agreement as written proof of such insurance and further provided that Contractor shall not commence work under this Agreement until Contractor has obtained all insurance required herein, provided written proof as required herein, and received written notice to proceed issued from the County Purchasing Agent. **Failure to provide such evidence of insurance within the ten (10) calendar day period shall constitute an event of default.**

Workers' Compensation Insurance. Bidder shall carry in full force Workers' Compensation Insurance Policy(ies), if there is more than one employee, for all its employees, including but not limited to full time, part time, and emergency employees employed by the Contractor.



## SPECIAL PROVISIONS

### INVITATION TO BID GALVESTON COUNTY MUD #12 EMERGENCY GENERATOR GALVESTON COUNTY, TEXAS

**Commercial General Liability.** Bidder shall carry in full force commercial general liability insurance with a limit of not less than \$1,000,000 each occurrence and \$2,000,000 in the aggregate. The Policy shall, minimally, cover liability for bodily injury, personal injury, and property damage.

**Business Automobile Liability.** Bidder shall carry in full force business automobile liability coverage with a combined bodily injury/property damage limit of not less than \$1,000,000 each accident. The policy shall cover liability arising from the operation of licensed vehicles by policyholder.

**Subrogation Waiver.** Contractor and Contractor's insurance carrier shall waive any and all rights to subrogation against Galveston County in regard to any suit or claim arising out of personal injury or property damage resulting from Contractor's performance under this Agreement.

#### N. AWARDED PRICES

Any unit prices submitted by the Bidder shall include all costs to the County, including the material, delivery, current freight rate, state tax, or any other cost.

Award prices include all royalties and costs arising from patents, trademarks, and copyrights in any way involved in the work. Whenever the Awardee is required or desires to use any design, device, material or process covered by letters of patent or copyright, the Awardee shall indemnify and save harmless the County, its officers, agents and employees from any and all claims for infringement by reason of the use of any such patented design, tool, material, equipment, or process, to be performed under the contract, and shall indemnify the County its officers, agents, and employees for any costs, expenses and damages which may be incurred by reason of any infringement at any time during the prosecution or after the completion of the work.

#### O. INVOICES:

Invoices must be itemized indicating all materials and supplies used. Invoices must be submitted to:

**Galveston County Auditor's Office  
Attn: Accounts Payable  
P.O. Box 1418  
Galveston, Texas 77553**

Failure to submit invoices to the above address or failure to include the Purchase Order Number will result in delay in payment.

**Contractor must accept purchase order numbers for specified supplies, equipment, and/or services. Contractor shall not perform any work or release any supplies and/or equipment to any authorized representative of the County of Galveston unless a valid purchase order number issued by the office of the Galveston County Purchasing Agent accompanies the order or if vendor can comply with the provision as stated in the General Provisions, page 8, item 13, Procurement Card Program.**

**Payment for any items issued without prior receipt of a valid purchase order number may become the sole responsibility of the successful contractor.**

**SPECIAL PROVISIONS**

**INVITATION TO BID  
GALVESTON COUNTY MUD #12 EMERGENCY GENERATOR  
GALVESTON COUNTY, TEXAS**

**P. REQUIRED DOCUMENTS CHECKLIST**

By signing here, the firm does hereby attest that it has fully read the instructions, conditions, and general and special provisions and understands them. **Proposer shall return this checklist with completed submittal.**

THE COMPANY OF: \_\_\_\_\_

ADDRESS: \_\_\_\_\_

The following documents shall be returned or confirmed with an "X" with solicitation submittals. Failure to do so may be ample cause for rejection of submittal and deemed as non-responsive. It is the responsibility of the Bidder to ensure that Bidder has received all addenda.

Items:	Confirmed (X):
1. Required Documents Checklist (this page)	_____
2. Addenda Acknowledgement (if any)	#1_____ #2_____ #3_____ #4_____
3. One (1) original, three (3) copies of submittal	_____
4. ATTACHMENT A - Vendor Qualification Packet	_____
5. ATTACHMENT B - Certification Reg. Debarment, Suspension, and Other Ineligibility	_____
6. ATTACHMENT C - Certification Regarding Lobbying Form	_____
7. ATTACHMENT D - Non-Collusion Affidavit	_____
8. ATTACHMENT E - Prohibition on Contracts with Companies Boycotting Israel	_____
9. ATTACHMENT F - Prohibition on Contracts with Certain Companies	_____
8. ATTACHMENT G - Information for Notice	_____
10. ATTACHMENT H - References	_____
11. Bid Bond	_____
12. Bid Summary Sheet	_____
13. Line Item Detail	_____

Person to contact regarding this qualification: \_\_\_\_\_

Title: \_\_\_\_\_ Phone: \_\_\_\_\_ Fax: \_\_\_\_\_

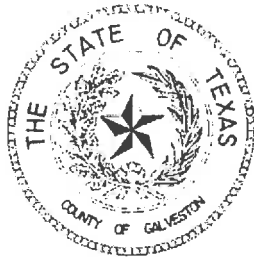
E-mail address: \_\_\_\_\_

Name of person authorized to bid the Firm: \_\_\_\_\_

Signature: \_\_\_\_\_ Date: \_\_\_\_\_

Title: \_\_\_\_\_ Phone: \_\_\_\_\_ Fax: \_\_\_\_\_

E-mail address: \_\_\_\_\_



## County of Galveston Purchasing Department Vendor Qualification Packet - Attachment A

(rev. 1.4, September 28, 2017)

All interested parties seeking consideration for qualified vendor status with the County of Galveston should complete and return only the following forms to:

Galveston County Purchasing Department  
722 Moody Avenue, (21st Street), 5<sup>th</sup> Floor  
Galveston, Texas 77550  
(409) 770-5371 office  
(409) 621-7987 fax

**PEID Form:** Person /Entity Information Data

**W -9 Form:** Request for Taxpayer Identification Number and Certification  
*(please note that the included form may not be the latest revised form issued by the Internal Revenue Service. Please check the IRS website at <http://www.irs.gov/pub/irs-rd/1045.pdf> for the latest revision of this form.)*

**CIQ Form:** Conflict of Interest Questionnaire  
*(please note that the included form may not be the latest revised form issued by the State of Texas Ethics Commission. Please check the Texas Ethics Commission website at [http://www.ethics.state.tx.us/whatsnew/conflict\\_forms.htm](http://www.ethics.state.tx.us/whatsnew/conflict_forms.htm) for the latest revision of this form. Please note that Galveston County Purchasing Agent is not responsible for the filing of this form with the Galveston County Clerk per instructions of the State of Texas Ethics Commission).*

**Debarment:** **CERTIFICATION REGARDING DEBARMENT, SUSPENSION, PROPOSED DEBARMENT, AND OTHER RESPONSIBILITY MATTERS & REQUIREMENT TO REGISTER IN SAM**

*Vendors/contractor certifies that neither it, nor any of its Principals, are presently debarred, suspended, proposed for debarment, disqualified, excluded, or in any way declared ineligible for the award of contracts by any Federal agency. Vendor agrees that it shall refund Galveston County for any payments made to Contractor while ineligible. Vendor acknowledges that Contractor's uncured failure to perform under any agreement with the County of Galveston, if such should occur, may result in Contractor being debarred from performing additional work for the County, the respecting State Agency administering the grant funding the contract, if applicable, the State, FEMA or HUD (as applicable), and other Federal and State entities. Further, Vendor has executed the Certification Regarding Debarment, Suspension, Proposed Debarment, and Other Responsibility Matters and returned the fully completed and executed original certification with the submission of this Vendor Qualification Packet. **The truthful and fully completed and executed original of the Certification Regarding Debarment, Suspension, Proposed Debarment, and Other Responsibility Matters must be included with the submission of this Vendor Qualification Packet and is a mandatory requirement to become a vendor of Galveston County. Vendor's failure to include the fully completed and executed original of this Certification shall be considered non-compliant with the requirements of this vendor qualification request and grounds for the rejection of vendor's request. Vendor shall immediately notify the County Purchasing Agent if it becomes debarred or suspended, placed on***

*the Consolidated List of Debarred Contractors, or in any other way becomes ineligible for award of contract by any Federal agency. This Certification is a material fact relied upon by Galveston County; if it is later determined that the vendor did not comply with 2 C. F. R. Part 180 and 2 C.F.R. Part 3000, in addition to the remedies available to Galveston County and the State agency administering a grant, the Federal Government may pursue available remedies, including but not limited to suspension and/or debarment of contractor. If the contract to be awarded pursuant to a Galveston County procurement effort involves the use of Federal funds, then vendor must also be registered in the Federal Contractor Registry through the System for Award Management (SAM) to be eligible for award of contract pursuant to the procurement.*

Information regarding the SAM is available at:

<http://federalcontractorregistry.com/?clid=CIGlh2rr8wCFYkCaQoducANZ.v> or at  
<http://sam.gov/portal/SAM/#1>.

*No contract involving the use of Federal funds may be awarded to any vendor unless and until such registration is current and in good standing under SAM Successful vendors must maintain SAM registration throughout the entire term of any contractual agreement with the County. If a contract involves the use of Federal funds, then vendor must enclose proof of such SAM registration within its response, which is also a mandatory requirement of County procurement policy; failure to enclose such proof shall be considered non-compliant with the requirements of any procurement effort and grounds for the rejection of vendor's response to any procurement efforts (i.e., bid, proposal, or qualifications statement, as applicable).*

**Direct Deposit: Direct Deposit Authorization Form – Temporarily suspended until further notice**

**Certificate(s) of Insurance: If the person or entity seeking qualified vendor status with the County will be performing work at or on any County owned facility and/or property, Certificate(s) of Insurance are required to be submitted prior to performing any work.**

Insurance requirements are as follows:

**Public Liability and Property Damage Insurance:**

Successful vendor agrees to keep in full force and effect, a policy of public liability and property damage insurance issued by a casualty company authorized to do business in the State of Texas, and in standard form approved by the Board of Insurance Commissioners of the State of Texas, with coverage provisions insuring the public from any loss or damage that may arise to any person or property by reason of services rendered by vendor. Vendor shall at its own expense be required to carry the following minimum insurance coverages:

1. For damages arising out of bodily injury to or death of one person in anyone occurrence - one hundred thousand and no/100 dollars (\$100,000.00);
2. For damages arising out of bodily injury to or death of two or more persons in anyone occurrence - three hundred thousand and no/100 dollars (\$300,000.00); and
3. For injury to or destruction of property in anyone occurrence - one hundred thousand and no/100 dollars (\$100,000.00).

This insurance shall be either on an occurrence basis or on a claims made basis. Provided however, that if the coverage is on a claims made basis, then the vendor shall be required to purchase, at the termination of this agreement, tail coverage for the County for the period of the County's relationship with the vendor under this agreement. Such coverage shall be in the amounts set forth in subparagraphs (1), (2), and (3) above.

**Worker's Compensation Insurance:**

Successful vendor shall also carry in full force Workers' Compensation Insurance policy(ies), if there is more than one employee, for all employees, including but not limited to full time, part time, and emergency employees employed by the vendor. Current insurance certificates certifying that such policies as specified above are in full force and effect shall be furnished by the vendor to the County.

**The County of Galveston shall be named as additional insured on policies listed in subparagraphs above and shall be notified of any changes to the policy(ies) during the contractual period.**

Insurance is to be placed with insurers having a Best rating of no less than A. The vendor shall furnish the County with certificates of insurance and original endorsements affecting coverage required by these insurance clauses. The certificates and endorsements for each insurance policy are to be signed by a person authorized by the insurer to bind coverage on its behalf. The vendor shall be required to submit annual renewals for the term of any contractual agreement, purchase order or term contract, with Galveston County prior to expiration of any policy.

In addition to the remedies stated herein, the County has the right to pursue other remedies permitted by law or in equity.

The County agrees to provide vendor with reasonable and timely notice of any claim, demand, or cause of action made or brought against the County arising out of or related to utilization of the property. Vendor shall have the right to defend any such claim, demand, or cause of action at its sole cost and expense and within its sole and exclusive discretion. The County agrees not to compromise or settle any claim or cause of action arising out of or related to the utilization of the property without the prior written consent of the vendor.

In no event shall the County be liable for any damage to or destruction of any property belonging to the vendor unless specified in writing and agreed upon by both parties.

**Procurement Policy - Special Note:**

Understand that it is, according to Texas Local Government Code, Section 262.011, Purchasing Agents, subsections (d), (e), and (f), the sole responsibility of the Purchasing Agent to supervise all procurement transactions.

Therefore, be advised that all procurement transactions require proper authorization in the form of a Galveston County purchase order from the Purchasing Agent's office prior to commitment to deliver supplies, materials, equipment, including contracts for repair, service, and maintenance agreements. Any commitments made without proper authorization from the Purchasing Agent's office, pending Commissioners' Court approval, may become the sole responsibility of the individual making the commitment including the obligation of payment.

**Code of Ethics - Statement of Purchasing Policy:**

Public employment is a public trust. It is the policy of Galveston County to promote and balance the objective of protecting the County's integrity and the objective of facilitating the recruitment and retention of personnel needed by Galveston County. Such policy is implemented by prescribing essential standards of ethical conduct without creating unnecessary obstacles to entering public office.

Public employees must discharge their duties impartially so as to assure fair competitive access to governmental procurement by responsible contractors. Moreover, they should conduct themselves in such a manner as to foster public confidence in the integrity of the Galveston County procurement organization.

To achieve the purpose of these instructions, it is essential that those doing business with Galveston County also observe the ethical standards prescribed here.

**General Ethical Standards:** It shall be a breach of ethics to attempt to realize personal gain through public employment with Galveston County by any conduct inconsistent with the proper discharge of the employee's duties.

It shall be a breach of ethics to attempt to influence any public employee of Galveston County to breach the standards of ethical conduct set forth in this code.

It shall be a breach of ethics for any employee of Galveston County to participate directly or indirectly in procurement when the employee knows that:

- The employee or any member of the employee's immediate family has a financial interest pertaining to the procurement.
- A business or organization in which the employee, or any member of the employee's immediate family, has a financial interest pertaining to the procurement.
- Any other person, business or organization with which the employee or any member of the employee's immediate family is negotiating or has an arrangement concerning prospective employment is involved in the procurement.

**Gratuities:** It shall be a breach of ethics to offer, give or agree to give any employee of Galveston County, or for any employee or former employee of Galveston County to solicit, demand, accept or agree to accept from another person, a gratuity or an offer of employment in connection with any decision, approval, disapproval, recommendation, preparation of any part of a program requirement or purchase request, influencing the content of any specification or procurement standard, rendering of advice, investigation, auditing, or in any other advisory capacity in any program requirement or a contract or subcontract, or to any solicitation or proposal therefore pending before this government.

**Kickbacks:** It shall be a breach of ethics for any payment, gratuity or offer of employment to be made by or on behalf of a subcontractor under a contract to the prime contractor or higher tier subcontractor for any contract for Galveston County, or any person associated therewith, as an inducement for the award of a subcontract or order.

**Contract Clause:** The prohibition against gratuities and kickbacks prescribed above shall be conspicuously set forth in every contract and solicitation by Galveston County.

**Confidential Information:** It shall be a breach of ethics for any employee or former employee of Galveston County to knowingly use confidential information for actual or anticipated personal gain, or for the actual or anticipated gain of any person.

**Questions/Concerns:**

If you have any questions or concerns regarding the information or instructions contained within this packet, please contact any member of the Purchasing Department staff at **(409) 770-5371**.

**CONFLICT OF INTEREST DISCLOSURE REPORTING**

Proposer may be required under Chapter 176 of the Texas Local Government Code to complete and file a conflict of interest questionnaire (CIQ Form). If so, the completed CIQ Form must be filed with the County Clerk of Galveston County, Texas.

If Proposer has an employment or other business relationship with an officer of Galveston County or with a family member of an officer of Galveston County that results in the officer or family member of the officer receiving taxable income that exceeds \$2,500.00 during the preceding 12 -month period, then Proposer **MUST** complete a CIQ Form and file the original of the CIQ Form with the County Clerk of Galveston County.

If Proposer has given an officer of Galveston County or a family member of an officer of Galveston County one or more gifts with an aggregate value of more than \$250.00 during the preceding 12-months, then Proposer **MUST** complete a CIQ Form and file the original of the CIQ Form with the County Clerk of Galveston County

The Galveston County Clerk has offices at the following locations:

Galveston County Clerk  
Galveston County Justice Center, Suite 2001  
600 59th Street  
Galveston, Texas 77551

Galveston County Clerk  
North County Annex, 1st Floor  
174 Calder Road  
League City, Texas 77573

Again, if Proposer is required to file a CIQ Form, the original completed form is filed with the Galveston County Clerk (not the Purchasing Agent).

For Proposer's convenience, a blank CIQ Form is enclosed with this proposal. Blank CIQ Forms may also be obtained by visiting the Galveston County Clerk's website and/or the Purchasing Agent's website - both of these web sites are linked to the Galveston County homepage at <http://www.galvestoncountytexas.gov>

As well, blank CIQ Forms may be obtained by visiting the Texas Ethics Commission website, specifically at <http://www.ethics.state.tx.us/whatsnew/conflictforms.htm>

Chapter 176 specifies deadlines for the filing of CIQ Forms (both initial filings and updated filings).

It is Proposer's sole responsibility to file a true and complete CIQ Form with the Galveston County Clerk if Proposer is required to file by the requirements of Chapter 176. Proposer is advised that it is an offense to fail to comply with the disclosure reporting requirements dictated under Chapter 176 of the Texas Local Government Code.

If you have questions about compliance with Chapter 176, please consult your own legal counsel. Compliance is the individual responsibility of each person, business, and agent who is subject to Chapter 176 of the Texas Local Government Code.



**COUNTY of GALVESTON**  
**Purchasing Department**

rev. 1.3, March 29, 2010

<b>FORM PEID:</b>	<b>Request for Person-Entity Identification Data</b>
-------------------	--

Instructions: Please type or print clearly when completing sections 1 thru 4 and return completed form to:

**Galveston County Purchasing Agent**  
**722 Moody Avenue (21 st. Street), 5th Floor**  
**Galveston, Texas 77550**  
**(409) 770-5371**  
*prodoc@co.galveston.tx.us*

1.	<b>Business Name:</b>			
	<b>Attention Line:</b>			
2.	<b>Physical Address:</b>			
	<b>City:</b>		<b>State:</b>	<b>Zip+4:</b>
3.	<b>Billing / Remit Address:</b>			
	<b>City:</b>		<b>State:</b>	<b>Zip+4</b>
4.	<b>Main Contact Person:</b>			
	<b>Main Phone Number:</b>			
	<b>Fax Number:</b>			
	<b>E-mail Address:</b>			

**Areas below are for County use only.**

<b>Requested By:</b>	<b>Phone / Ext. #</b>
<b>Department:</b>	<b>Date:</b>

<b>Action Requested - Check One:</b>	<b>IFAS PEID Vendor Number:</b>	
<input type="checkbox"/> Add New	<input type="checkbox"/> Change Data	<input type="checkbox"/> Re-activate
<input type="checkbox"/> Inactivate	<input type="checkbox"/> Employee	<input type="checkbox"/> Attorney
<input type="checkbox"/> Landlord	<input type="checkbox"/> Foster Parent	<input type="checkbox"/> Refund
<input type="checkbox"/> OneTime	<input type="checkbox"/> Foster Child	



# Request for Taxpayer Identification Number and Certification

**Give Form to the  
requester. Do not  
send to the IRS.**

▶ Go to [www.irs.gov/FormW9](http://www.irs.gov/FormW9) for instructions and the latest information.

Print or type. See Specific Instructions on page 3.	<p><b>1</b> Name (as shown on your income tax return). Name is required on this line; do not leave this line blank.</p> <hr/> <p><b>2</b> Business name/disregarded entity name, if different from above</p> <hr/> <p><b>3</b> Check appropriate box for federal tax classification of the person whose name is entered on line 1. Check only <b>one</b> of the following seven boxes.</p> <p> <input type="checkbox"/> Individual/sole proprietor or single-member LLC                  <input type="checkbox"/> C Corporation                  <input type="checkbox"/> S Corporation                  <input type="checkbox"/> Partnership                  <input type="checkbox"/> Trust/estate         </p> <p> <input type="checkbox"/> Limited liability company. Enter the tax classification (C=C corporation, S=S corporation, P=Partnership) ▶ _____  <i>Note: Check the appropriate box in the line above for the tax classification of the single-member owner. Do not check LLC if the LLC is classified as a single-member LLC that is disregarded from the owner unless the owner of the LLC is another LLC that is <b>not</b> disregarded from the owner for U.S. federal tax purposes. Otherwise, a single-member LLC that is disregarded from the owner should check the appropriate box for the tax classification of its owner.</i> </p> <p> <input type="checkbox"/> Other (see instructions) ▶ _____         </p>	<p><b>4</b> Exemptions (codes apply only to certain entities, not individuals; see instructions on page 3):</p> <p>Exempt payee code (if any) _____</p> <p>Exemption from FATCA reporting code (if any) _____</p> <p><small>(Applies to accounts maintained outside the U.S.)</small></p>
	<p><b>5</b> Address (number, street, and apt. or suite no.) See instructions.</p> <hr/> <p><b>6</b> City, state, and ZIP code</p> <hr/> <p><b>7</b> List account number(s) here (optional)</p> <hr/>	<p>Requester's name and address (optional)</p> <hr/>

**Part I Taxpayer Identification Number (TIN)**

Enter your TIN in the appropriate box. The TIN provided must match the name given on line 1 to avoid backup withholding. For individuals, this is generally your social security number (SSN). However, for a resident alien, sole proprietor, or disregarded entity, see the instructions for Part I, later. For other entities, it is your employer identification number (EIN). If you do not have a number, see *How to get a TIN*, later.

**Note:** If the account is in more than one name, see the instructions for line 1. Also see *What Name and Number To Give the Requester* for guidelines on whose number to enter.

	<p style="text-align: center; font-weight: bold; font-size: small;">Social security number</p> <div style="border: 1px solid black; display: flex; justify-content: space-around; align-items: center; padding: 5px;"> <span style="border: 1px solid black; width: 20px; height: 20px;"></span> <span style="border: 1px solid black; width: 20px; height: 20px;"></span> <span style="border: 1px solid black; width: 20px; height: 20px;"></span> <span style="border: 1px solid black; width: 20px; height: 20px;"></span> <span style="font-size: 2em;">-</span> <span style="border: 1px solid black; width: 20px; height: 20px;"></span> <span style="font-size: 2em;">-</span> <span style="border: 1px solid black; width: 20px; height: 20px;"></span> <span style="border: 1px solid black; width: 20px; height: 20px;"></span> <span style="border: 1px solid black; width: 20px; height: 20px;"></span> </div>
	<p style="text-align: center; font-weight: bold; font-size: small;">or</p> <p style="text-align: center; font-weight: bold; font-size: small;">Employer identification number</p> <div style="border: 1px solid black; display: flex; justify-content: space-around; align-items: center; padding: 5px;"> <span style="border: 1px solid black; width: 20px; height: 20px;"></span> <span style="border: 1px solid black; width: 20px; height: 20px;"></span> <span style="border: 1px solid black; width: 20px; height: 20px;"></span> <span style="border: 1px solid black; width: 20px; height: 20px;"></span> <span style="border: 1px solid black; width: 20px; height: 20px;"></span> <span style="border: 1px solid black; width: 20px; height: 20px;"></span> <span style="border: 1px solid black; width: 20px; height: 20px;"></span> <span style="border: 1px solid black; width: 20px; height: 20px;"></span> <span style="border: 1px solid black; width: 20px; height: 20px;"></span> <span style="border: 1px solid black; width: 20px; height: 20px;"></span> </div>

**Part II Certification**

Under penalties of perjury, I certify that:

1. The number shown on this form is my correct taxpayer identification number (or I am waiting for a number to be issued to me); and
2. I am not subject to backup withholding because: (a) I am exempt from backup withholding, or (b) I have not been notified by the Internal Revenue Service (IRS) that I am subject to backup withholding as a result of a failure to report all interest or dividends, or (c) the IRS has notified me that I am no longer subject to backup withholding; and
3. I am a U.S. citizen or other U.S. person (defined below); and
4. The FATCA code(s) entered on this form (if any) indicating that I am exempt from FATCA reporting is correct.

**Certification instructions.** You must cross out item 2 above if you have been notified by the IRS that you are currently subject to backup withholding because you have failed to report all interest and dividends on your tax return. For real estate transactions, item 2 does not apply. For mortgage interest paid, acquisition or abandonment of secured property, cancellation of debt, contributions to an individual retirement arrangement (IRA), and generally, payments other than interest and dividends, you are not required to sign the certification, but you must provide your correct TIN. See the instructions for Part II, later.

<b>Sign Here</b>	Signature of U.S. person ▶	Date ▶
------------------	----------------------------	--------

## General Instructions

Section references are to the Internal Revenue Code unless otherwise noted.

**Future developments.** For the latest information about developments related to Form W-9 and its instructions, such as legislation enacted after they were published, go to [www.irs.gov/FormW9](http://www.irs.gov/FormW9).

## Purpose of Form

An individual or entity (Form W-9 requester) who is required to file an information return with the IRS must obtain your correct taxpayer identification number (TIN) which may be your social security number (SSN), individual taxpayer identification number (ITIN), adoption taxpayer identification number (ATIN), or employer identification number (EIN), to report on an information return the amount paid to you, or other amount reportable on an information return. Examples of information returns include, but are not limited to, the following.

- Form 1099-INT (interest earned or paid)

- Form 1099-DIV (dividends, including those from stocks or mutual funds)
  - Form 1099-MISC (various types of income, prizes, awards, or gross proceeds)
  - Form 1099-B (stock or mutual fund sales and certain other transactions by brokers)
  - Form 1099-S (proceeds from real estate transactions)
  - Form 1099-K (merchant card and third party network transactions)
  - Form 1098 (home mortgage interest), 1098-E (student loan interest), 1098-T (tuition)
  - Form 1099-C (canceled debt)
  - Form 1099-A (acquisition or abandonment of secured property)
- Use Form W-9 only if you are a U.S. person (including a resident alien), to provide your correct TIN.
- If you do not return Form W-9 to the requester with a TIN, you might be subject to backup withholding. See What is backup withholding, later.*

By signing the filled-out form, you:

1. Certify that the TIN you are giving is correct (or you are waiting for a number to be issued),
2. Certify that you are not subject to backup withholding, or
3. Claim exemption from backup withholding if you are a U.S. exempt payee. If applicable, you are also certifying that as a U.S. person, your allocable share of any partnership income from a U.S. trade or business is not subject to the withholding tax on foreign partners' share of effectively connected income, and
4. Certify that FATCA code(s) entered on this form (if any) indicating that you are exempt from the FATCA reporting, is correct. See *What is FATCA reporting*, later, for further information.

**Note:** If you are a U.S. person and a requester gives you a form other than Form W-9 to request your TIN, you must use the requester's form if it is substantially similar to this Form W-9.

**Definition of a U.S. person.** For federal tax purposes, you are considered a U.S. person if you are:

- An individual who is a U.S. citizen or U.S. resident alien;
- A partnership, corporation, company, or association created or organized in the United States or under the laws of the United States;
- An estate (other than a foreign estate); or
- A domestic trust (as defined in Regulations section 301.7701-7).

**Special rules for partnerships.** Partnerships that conduct a trade or business in the United States are generally required to pay a withholding tax under section 1446 on any foreign partners' share of effectively connected taxable income from such business. Further, in certain cases where a Form W-9 has not been received, the rules under section 1446 require a partnership to presume that a partner is a foreign person, and pay the section 1446 withholding tax. Therefore, if you are a U.S. person that is a partner in a partnership conducting a trade or business in the United States, provide Form W-9 to the partnership to establish your U.S. status and avoid section 1446 withholding on your share of partnership income.

In the cases below, the following person must give Form W-9 to the partnership for purposes of establishing its U.S. status and avoiding withholding on its allocable share of net income from the partnership conducting a trade or business in the United States.

- In the case of a disregarded entity with a U.S. owner, the U.S. owner of the disregarded entity and not the entity;
- In the case of a grantor trust with a U.S. grantor or other U.S. owner, generally, the U.S. grantor or other U.S. owner of the grantor trust and not the trust; and
- In the case of a U.S. trust (other than a grantor trust), the U.S. trust (other than a grantor trust) and not the beneficiaries of the trust.

**Foreign person.** If you are a foreign person or the U.S. branch of a foreign bank that has elected to be treated as a U.S. person, do not use Form W-9. Instead, use the appropriate Form W-8 or Form 8233 (see Pub. 515, *Withholding of Tax on Nonresident Aliens and Foreign Entities*).

**Nonresident alien who becomes a resident alien.** Generally, only a nonresident alien individual may use the terms of a tax treaty to reduce or eliminate U.S. tax on certain types of income. However, most tax treaties contain a provision known as a "saving clause." Exceptions specified in the saving clause may permit an exemption from tax to continue for certain types of income even after the payee has otherwise become a U.S. resident alien for tax purposes.

If you are a U.S. resident alien who is relying on an exception contained in the saving clause of a tax treaty to claim an exemption from U.S. tax on certain types of income, you must attach a statement to Form W-9 that specifies the following five items.

1. The treaty country. Generally, this must be the same treaty under which you claimed exemption from tax as a nonresident alien.
2. The treaty article addressing the income.
3. The article number (or location) in the tax treaty that contains the saving clause and its exceptions.
4. The type and amount of income that qualifies for the exemption from tax.
5. Sufficient facts to justify the exemption from tax under the terms of the treaty article.

**Example.** Article 20 of the U.S.-China income tax treaty allows an exemption from tax for scholarship income received by a Chinese student temporarily present in the United States. Under U.S. law, this student will become a resident alien for tax purposes if his or her stay in the United States exceeds 5 calendar years. However, paragraph 2 of the first Protocol to the U.S.-China treaty (dated April 30, 1984) allows the provisions of Article 20 to continue to apply even after the Chinese student becomes a resident alien of the United States. A Chinese student who qualifies for this exception (under paragraph 2 of the first protocol) and is relying on this exception to claim an exemption from tax on his or her scholarship or fellowship income would attach to Form W-9 a statement that includes the information described above to support that exemption.

If you are a nonresident alien or a foreign entity, give the requester the appropriate completed Form W-8 or Form 8233.

## Backup Withholding

**What is backup withholding?** Persons making certain payments to you must under certain conditions withhold and pay to the IRS 24% of such payments. This is called "backup withholding." Payments that may be subject to backup withholding include interest, tax-exempt interest, dividends, broker and barter exchange transactions, rents, royalties, nonemployee pay, payments made in settlement of payment card and third party network transactions, and certain payments from fishing boat operators. Real estate transactions are not subject to backup withholding.

You will not be subject to backup withholding on payments you receive if you give the requester your correct TIN, make the proper certifications, and report all your taxable interest and dividends on your tax return.

**Payments you receive will be subject to backup withholding if:**

1. You do not furnish your TIN to the requester,
2. You do not certify your TIN when required (see the instructions for Part II for details),
3. The IRS tells the requester that you furnished an incorrect TIN,
4. The IRS tells you that you are subject to backup withholding because you did not report all your interest and dividends on your tax return (for reportable interest and dividends only), or
5. You do not certify to the requester that you are not subject to backup withholding under 4 above (for reportable interest and dividend accounts opened after 1983 only).

Certain payees and payments are exempt from backup withholding. See *Exempt payee code*, later, and the separate Instructions for the Requester of Form W-9 for more information.

Also see *Special rules for partnerships*, earlier.

## What is FATCA Reporting?

The Foreign Account Tax Compliance Act (FATCA) requires a participating foreign financial institution to report all United States account holders that are specified United States persons. Certain payees are exempt from FATCA reporting. See *Exemption from FATCA reporting code*, later, and the Instructions for the Requester of Form W-9 for more information.

## Updating Your Information

You must provide updated information to any person to whom you claimed to be an exempt payee if you are no longer an exempt payee and anticipate receiving reportable payments in the future from this person. For example, you may need to provide updated information if you are a C corporation that elects to be an S corporation, or if you no longer are tax exempt. In addition, you must furnish a new Form W-9 if the name or TIN changes for the account; for example, if the grantor of a grantor trust dies.

## Penalties

**Failure to furnish TIN.** If you fail to furnish your correct TIN to a requester, you are subject to a penalty of \$50 for each such failure unless your failure is due to reasonable cause and not to willful neglect.

**Civil penalty for false information with respect to withholding.** If you make a false statement with no reasonable basis that results in no backup withholding, you are subject to a \$500 penalty.

**Criminal penalty for falsifying information.** Willfully falsifying certifications or affirmations may subject you to criminal penalties including fines and/or imprisonment.

**Misuse of TINs.** If the requester discloses or uses TINs in violation of federal law, the requester may be subject to civil and criminal penalties.

## Specific Instructions

### Line 1

You must enter one of the following on this line; **do not** leave this line blank. The name should match the name on your tax return.

If this Form W-9 is for a joint account (other than an account maintained by a foreign financial institution (FFI)), list first, and then circle, the name of the person or entity whose number you entered in Part I of Form W-9. If you are providing Form W-9 to an FFI to document a joint account, each holder of the account that is a U.S. person must provide a Form W-9.

a. **Individual.** Generally, enter the name shown on your tax return. If you have changed your last name without informing the Social Security Administration (SSA) of the name change, enter your first name, the last name as shown on your social security card, and your new last name.

**Note: ITIN applicant:** Enter your individual name as it was entered on your Form W-7 application, line 1a. This should also be the same as the name you entered on the Form 1040/1040A/1040EZ you filed with your application.

b. **Sole proprietor or single-member LLC.** Enter your individual name as shown on your 1040/1040A/1040EZ on line 1. You may enter your business, trade, or "doing business as" (DBA) name on line 2.

c. **Partnership, LLC that is not a single-member LLC, C corporation, or S corporation.** Enter the entity's name as shown on the entity's tax return on line 1 and any business, trade, or DBA name on line 2.

d. **Other entities.** Enter your name as shown on required U.S. federal tax documents on line 1. This name should match the name shown on the charter or other legal document creating the entity. You may enter any business, trade, or DBA name on line 2.

e. **Disregarded entity.** For U.S. federal tax purposes, an entity that is disregarded as an entity separate from its owner is treated as a "disregarded entity." See Regulations section 301.7701-2(c)(2)(iii). Enter the owner's name on line 1. The name of the entity entered on line 1 should never be a disregarded entity. The name on line 1 should be the name shown on the income tax return on which the income should be reported. For example, if a foreign LLC that is treated as a disregarded entity for U.S. federal tax purposes has a single owner that is a U.S. person, the U.S. owner's name is required to be provided on line 1. If the direct owner of the entity is also a disregarded entity, enter the first owner that is not disregarded for federal tax purposes. Enter the disregarded entity's name on line 2, "Business name/disregarded entity name." If the owner of the disregarded entity is a foreign person, the owner must complete an appropriate Form W-8 instead of a Form W-9. This is the case even if the foreign person has a U.S. TIN.

### Line 2

If you have a business name, trade name, DBA name, or disregarded entity name, you may enter it on line 2.

### Line 3

Check the appropriate box on line 3 for the U.S. federal tax classification of the person whose name is entered on line 1. Check only one box on line 3.

IF the entity/person on line 1 is a(n) . . .	THEN check the box for . . .
• Corporation	Corporation
• Individual • Sole proprietorship, or • Single-member limited liability company (LLC) owned by an individual and disregarded for U.S. federal tax purposes.	Individual/sole proprietor or single-member LLC
• LLC treated as a partnership for U.S. federal tax purposes, • LLC that has filed Form 8832 or 2553 to be taxed as a corporation, or • LLC that is disregarded as an entity separate from its owner but the owner is another LLC that is not disregarded for U.S. federal tax purposes.	Limited liability company and enter the appropriate tax classification. (P= Partnership; C= C corporation; or S= S corporation)
• Partnership	Partnership
• Trust/estate	Trust/estate

### Line 4, Exemptions

If you are exempt from backup withholding and/or FATCA reporting, enter in the appropriate space on line 4 any code(s) that may apply to you.

#### Exempt payee code.

- Generally, individuals (including sole proprietors) are not exempt from backup withholding.
- Except as provided below, corporations are exempt from backup withholding for certain payments, including interest and dividends.
- Corporations are not exempt from backup withholding for payments made in settlement of payment card or third party network transactions.
- Corporations are not exempt from backup withholding with respect to attorneys' fees or gross proceeds paid to attorneys, and corporations that provide medical or health care services are not exempt with respect to payments reportable on Form 1099-MISC.

The following codes identify payees that are exempt from backup withholding. Enter the appropriate code in the space in line 4.

- 1—An organization exempt from tax under section 501(a), any IRA, or a custodial account under section 403(b)(7) if the account satisfies the requirements of section 401(f)(2)
- 2—The United States or any of its agencies or instrumentalities
- 3—A state, the District of Columbia, a U.S. commonwealth or possession, or any of their political subdivisions or instrumentalities
- 4—A foreign government or any of its political subdivisions, agencies, or instrumentalities
- 5—A corporation
- 6—A dealer in securities or commodities required to register in the United States, the District of Columbia, or a U.S. commonwealth or possession
- 7—A futures commission merchant registered with the Commodity Futures Trading Commission
- 8—A real estate investment trust
- 9—An entity registered at all times during the tax year under the Investment Company Act of 1940
- 10—A common trust fund operated by a bank under section 584(a)
- 11—A financial institution
- 12—A middleman known in the investment community as a nominee or custodian
- 13—A trust exempt from tax under section 664 or described in section 4947

The following chart shows types of payments that may be exempt from backup withholding. The chart applies to the exempt payees listed above, 1 through 13.

IF the payment is for . . .	THEN the payment is exempt for . . .
Interest and dividend payments	All exempt payees except for 7
Broker transactions	Exempt payees 1 through 4 and 6 through 11 and all C corporations. S corporations must not enter an exempt payee code because they are exempt only for sales of noncovered securities acquired prior to 2012.
Barter exchange transactions and patronage dividends	Exempt payees 1 through 4
Payments over \$600 required to be reported and direct sales over \$5,000 <sup>1</sup>	Generally, exempt payees 1 through 5 <sup>2</sup>
Payments made in settlement of payment card or third party network transactions	Exempt payees 1 through 4

<sup>1</sup> See Form 1099-MISC, Miscellaneous Income, and its instructions.

<sup>2</sup> However, the following payments made to a corporation and reportable on Form 1099-MISC are not exempt from backup withholding: medical and health care payments, attorneys' fees, gross proceeds paid to an attorney reportable under section 6045(f), and payments for services paid by a federal executive agency.

**Exemption from FATCA reporting code.** The following codes identify payees that are exempt from reporting under FATCA. These codes apply to persons submitting this form for accounts maintained outside of the United States by certain foreign financial institutions. Therefore, if you are only submitting this form for an account you hold in the United States, you may leave this field blank. Consult with the person requesting this form if you are uncertain if the financial institution is subject to these requirements. A requester may indicate that a code is not required by providing you with a Form W-9 with "Not Applicable" (or any similar indication) written or printed on the line for a FATCA exemption code.

A—An organization exempt from tax under section 501(a) or any individual retirement plan as defined in section 7701(a)(37)

B—The United States or any of its agencies or instrumentalities

C—A state, the District of Columbia, a U.S. commonwealth or possession, or any of their political subdivisions or instrumentalities

D—A corporation the stock of which is regularly traded on one or more established securities markets, as described in Regulations section 1.1472-1(c)(1)(i)

E—A corporation that is a member of the same expanded affiliated group as a corporation described in Regulations section 1.1472-1(c)(1)(i)

F—A dealer in securities, commodities, or derivative financial instruments (including notional principal contracts, futures, forwards, and options) that is registered as such under the laws of the United States or any state

G—A real estate investment trust

H—A regulated investment company as defined in section 851 or an entity registered at all times during the tax year under the Investment Company Act of 1940

I—A common trust fund as defined in section 584(a) J—

A bank as defined in section 581

K—A broker

L—A trust exempt from tax under section 664 or described in section 4947(a)(1)

M—A tax exempt trust under a section 403(b) plan or section 457(g) plan

**Note:** You may wish to consult with the financial institution requesting this form to determine whether the FATCA code and/or exempt payee code should be completed.

## Line 5

Enter your address (number, street, and apartment or suite number). This is where the requester of this Form W-9 will mail your information returns. If this address differs from the one the requester already has on file, write NEW at the top. If a new address is provided, there is still a chance the old address will be used until the payor changes your address in their records.

## Line 6

Enter your city, state, and ZIP code.

## Part I. Taxpayer Identification Number (TIN)

**Enter your TIN in the appropriate box.** If you are a resident alien and you do not have and are not eligible to get an SSN, your TIN is your IRS individual taxpayer identification number (ITIN). Enter it in the social security number box. If you do not have an ITIN, see *How to get a TIN* below.

If you are a sole proprietor and you have an EIN, you may enter either your SSN or EIN.

If you are a single-member LLC that is disregarded as an entity separate from its owner, enter the owner's SSN (or EIN, if the owner has one). Do not enter the disregarded entity's EIN. If the LLC is classified as a corporation or partnership, enter the entity's EIN.

**Note:** See *What Name and Number To Give the Requester*, later, for further clarification of name and TIN combinations.

**How to get a TIN.** If you do not have a TIN, apply for one immediately. To apply for an SSN, get Form SS-5, Application for a Social Security Card, from your local SSA office or get this form online at [www.SSA.gov](http://www.SSA.gov). You may also get this form by calling 1-800-772-1213. Use Form W-7, Application for IRS Individual Taxpayer Identification Number, to apply for an ITIN, or Form SS-4, Application for Employer Identification Number, to apply for an EIN. You can apply for an EIN online by accessing the IRS website at [www.irs.gov/Businesses](http://www.irs.gov/Businesses) and clicking on Employer Identification Number (EIN) under Starting a Business. Go to [www.irs.gov/Forms](http://www.irs.gov/Forms) to view, download, or print Form W-7 and/or Form SS-4. Or, you can go to [www.irs.gov/OrderForms](http://www.irs.gov/OrderForms) to place an order and have Form W-7 and/or SS-4 mailed to you within 10 business days.

If you are asked to complete Form W-9 but do not have a TIN, apply for a TIN and write "Applied For" in the space for the TIN, sign and date the form, and give it to the requester. For interest and dividend payments, and certain payments made with respect to readily tradable instruments, generally you will have 60 days to get a TIN and give it to the requester before you are subject to backup withholding on payments. The 60-day rule does not apply to other types of payments. You will be subject to backup withholding on all such payments until you provide your TIN to the requester.

**Note:** Entering "Applied For" means that you have already applied for a TIN or that you intend to apply for one soon.

**Caution:** A disregarded U.S. entity that has a foreign owner must use the appropriate Form W-8.

## Part II. Certification

To establish to the withholding agent that you are a U.S. person, or resident alien, sign Form W-9. You may be requested to sign by the withholding agent even if item 1, 4, or 5 below indicates otherwise.

For a joint account, only the person whose TIN is shown in Part I should sign (when required). In the case of a disregarded entity, the person identified on line 1 must sign. Exempt payees, see *Exempt payee code*, earlier.

**Signature requirements.** Complete the certification as indicated in items 1 through 5 below.

**1. Interest, dividend, and barter exchange accounts opened before 1984 and broker accounts considered active during 1983.**

You must give your correct TIN, but you do not have to sign the certification.

**2. Interest, dividend, broker, and barter exchange accounts opened after 1983 and broker accounts considered inactive during 1983.**

You must sign the certification or backup withholding will apply. If you are subject to backup withholding and you are merely providing your correct TIN to the requester, you must cross out item 2 in the certification before signing the form.

**3. Real estate transactions.** You must sign the certification. You may cross out item 2 of the certification.

**4. Other payments.** You must give your correct TIN, but you do not have to sign the certification unless you have been notified that you have previously given an incorrect TIN. "Other payments" include payments made in the course of the requester's trade or business for rents, royalties, goods (other than bills for merchandise), medical and health care services (including payments to corporations), payments to a nonemployee for services, payments made in settlement of payment card and third party network transactions, payments to certain fishing boat crew members and fishermen, and gross proceeds paid to attorneys (including payments to corporations).

**5. Mortgage interest paid by you, acquisition or abandonment of secured property, cancellation of debt, qualified tuition program payments (under section 529), ABLÉ accounts (under section 529A), IRA, Coverdell ESA, Archer MSA or HSA contributions or distributions, and pension distributions.** You must give your correct TIN, but you do not have to sign the certification.

**What Name and Number To Give the Requester**

For this type of account:	Give name and SSN of:
1. Individual	The individual
2. Two or more individuals (joint account) other than an account maintained by an FFI	The actual owner of the account or, if combined funds, the first individual on the account <sup>1</sup>
3. Two or more U.S. persons (joint account maintained by an FFI)	Each holder of the account
4. Custodial account of a minor (Uniform Gift to Minors Act)	The minor <sup>2</sup>
5. a. The usual revocable savings trust (grantor is also trustee) b. So-called trust account that is not a legal or valid trust under state law	The grantor-trustee <sup>1</sup> The actual owner <sup>1</sup>
6. Sole proprietorship or disregarded entity owned by an individual	The owner <sup>3</sup>
7. Grantor trust filing under Optional Form 1099 Filing Method 1 (see Regulations section 1.671-4(b)(2)(i)(A))	The grantor <sup>4</sup>
For this type of account:	Give name and EIN of:
8. Disregarded entity not owned by an individual	The owner
9. A valid trust, estate, or pension trust	Legal entity <sup>4</sup>
10. Corporation or LLC electing corporate status on Form 8832 or Form 2553	The corporation
11. Association, club, religious, charitable, educational, or other tax-exempt organization	The organization
12. Partnership or multi-member LLC	The partnership
13. A broker or registered nominee	The broker or nominee

For this type of account:	Give name and EIN of:
14. Account with the Department of Agriculture in the name of a public entity (such as a state or local government, school district, or prison) that receives agricultural program payments	The public entity
15. Grantor trust filing under the Form 1041 Filing Method or the Optional Form 1099 Filing Method 2 (see Regulations section 1.671-4(b)(2)(i)(B))	The trust

<sup>1</sup> List first and circle the name of the person whose number you furnish. If only one person on a joint account has an SSN, that person's number must be furnished.

<sup>2</sup> Circle the minor's name and furnish the minor's SSN.

<sup>3</sup> You must show your individual name and you may also enter your business or DBA name on the "Business name/disregarded entity" name line. You may use either your SSN or EIN (if you have one), but the IRS encourages you to use your SSN.

<sup>4</sup> List first and circle the name of the trust, estate, or pension trust. (Do not furnish the TIN of the personal representative or trustee unless the legal entity itself is not designated in the account title.) Also see *Special rules for partnerships*, earlier.

\*Note: The grantor also must provide a Form W-9 to trustee of trust.

Note: If no name is circled when more than one name is listed, the number will be considered to be that of the first name listed.

**Secure Your Tax Records From Identity Theft**

Identity theft occurs when someone uses your personal information such as your name, SSN, or other identifying information, without your permission, to commit fraud or other crimes. An identity thief may use your SSN to get a job or may file a tax return using your SSN to receive a refund.

To reduce your risk:

- Protect your SSN,
- Ensure your employer is protecting your SSN, and
- Be careful when choosing a tax preparer.

If your tax records are affected by identity theft and you receive a notice from the IRS, respond right away to the name and phone number printed on the IRS notice or letter.

If your tax records are not currently affected by identity theft but you think you are at risk due to a lost or stolen purse or wallet, questionable credit card activity or credit report, contact the IRS Identity Theft Hotline at 1-800-908-4490 or submit Form 14039.

For more information, see Pub. 5027, Identity Theft Information for Taxpayers.

Victims of identity theft who are experiencing economic harm or a systemic problem, or are seeking help in resolving tax problems that have not been resolved through normal channels, may be eligible for Taxpayer Advocate Service (TAS) assistance. You can reach TAS by calling the TAS toll-free case intake line at 1-877-777-4778 or TTY/TDD 1-800-829-4059.

**Protect yourself from suspicious emails or phishing schemes.** Phishing is the creation and use of email and websites designed to mimic legitimate business emails and websites. The most common act is sending an email to a user falsely claiming to be an established legitimate enterprise in an attempt to scam the user into surrendering private information that will be used for identity theft.

The IRS does not initiate contacts with taxpayers via emails. Also, the IRS does not request personal detailed information through email or ask taxpayers for the PIN numbers, passwords, or similar secret access information for their credit card, bank, or other financial accounts.

If you receive an unsolicited email claiming to be from the IRS, forward this message to [phishing@irs.gov](mailto:phishing@irs.gov). You may also report misuse of the IRS name, logo, or other IRS property to the Treasury Inspector General for Tax Administration (TIGTA) at 1-800-366-4484. You can forward suspicious emails to the Federal Trade Commission at [spam@uce.gov](mailto:spam@uce.gov) or report them at [www.ftc.gov/complaint](http://www.ftc.gov/complaint). You can contact the FTC at [www.ftc.gov/idtheft](http://www.ftc.gov/idtheft) or 877-IDTHEFT (877-438-4338). If you have been the victim of identity theft, see [www.IdentityTheft.gov](http://www.IdentityTheft.gov) and Pub. 5027.

Visit [www.irs.gov/IdentityTheft](http://www.irs.gov/IdentityTheft) to learn more about identity theft and how to reduce your risk.

## Privacy Act Notice

Section 6109 of the Internal Revenue Code requires you to provide your correct TIN to persons (including federal agencies) who are required to file information returns with the IRS to report interest, dividends, or certain other income paid to you; mortgage interest you paid; the acquisition or abandonment of secured property; the cancellation of debt; or contributions you made to an IRA, Archer MSA, or HSA. The person collecting this form uses the information on the form to file information returns with the IRS, reporting the above information. Routine uses of this information include giving it to the Department of Justice for civil and criminal litigation and to cities, states, the District of Columbia, and U.S. commonwealths and possessions for use in administering their laws. The information also may be disclosed to other countries under a treaty, to federal and state agencies to enforce civil and criminal laws, or to federal law enforcement and intelligence agencies to combat terrorism. You must provide your TIN whether or not you are required to file a tax return. Under section 3406, payers must generally withhold a percentage of taxable interest, dividend, and certain other payments to a payee who does not give a TIN to the payer. Certain penalties may also apply for providing false or fraudulent information.

# CONFLICT OF INTEREST QUESTIONNAIRE

# FORM CIQ

For vendor or other person doing business with local governmental entity

This questionnaire reflects changes made to the law by H.B. 1491, 80th Leg., Regular Session.

This questionnaire is being filed in accordance with Chapter 176, Local Government Code by a person who has a business relationship as defined by Section 176.001 (1-a) with a local governmental entity and the person meets requirements under Section 176.006(a).

By law this questionnaire must be filed with the records administrator of the local governmental entity not later than the 7th business day after the date the person becomes aware of facts that require the statement to be filed. See Section 176.006, Local Government Code.

A person commits an offense if the person knowingly violates Section 176.006, Local Government Code. An offense under this section is a Class C misdemeanor.

OFFICE USE ONLY

Date Received

1 Name of person who has a business relationship with local governmental entity.

2  Check this box if you are filing an update to a previously filed questionnaire.

(The law requires that you file an updated completed questionnaire with the appropriate filing authority not later than the 7th business day after the date the originally filed questionnaire becomes incomplete or inaccurate.)

3 Name of local government officer with whom filer has employment or business relationship.

\_\_\_\_\_  
Name of Officer

This section (item 3 including subparts A, B, C & D) must be completed for each *officer* with whom the filer has an employment or other business relationship as defined by Section 176.001 (1-a), Local Government Code. Attach additional pages to this Form CIQ as necessary.

A. Is the local government officer named in this section receiving or likely to receive taxable income, other than investment income, from the filer of the questionnaire?

Yes       NO

B. Is the filer of the questionnaire receiving or likely to receive taxable income, other than investment income, from or at the direction of the local government *officer* named in this section AND the taxable income is not received from the local governmental entity?

Yes       NO

C. Is the filer of this questionnaire employed by a corporation or other business entity with respect to which the local government officer serves as an *officer* or director, or holds an ownership of 10 percent or more?

Yes       NO

D. Describe each employment or business relationship with the local government *officer* named in this section.

4

\_\_\_\_\_  
Signature of person doing business with the governmental entity

\_\_\_\_\_  
Date



**ATTACHMENT B**  
**County of Galveston**  
**ACKNOWLEDGMENT AND CERTIFICATION REGARDING DEBARMENT,**  
**SUSPENSION, AND OTHER INELGIBILITY**  
**Executive Orders 12549 & 12689 Certification, Debarment and Suspension**

Solicitation Number: ITB B242006

Solicitation Title: GALVESTON COUNTY MUD #12 EMERGENCY GENERATOR

**Contractor hereby CERTIFIES that:**

Contractor, and all of its principals, is not presently debarred, suspended, proposed for debarment, proposed for suspension, or declared ineligible under Executive Order 12549 or Executive Order 12689, Debarment and Suspension, and is not in any other way ineligible for participation in Federal or State assistance programs;

Contractor, and all of its principals, were not and have not been debarred, suspended, proposed for debarment, proposed for suspension, or declared ineligible under Executive Order 12549 or Executive Order 12689, Debarment and Suspension, and were not and have not been in any other way ineligible for participation in Federal or State assistance programs at the time its' proposal was submitted in the procurement identified herein and at any time since submission of its' proposal;

Contractor has included, and shall continue to include, this certification in all contracts between itself and any sub-contractors in connection with services performed under this contract; **and**

Contractor shall notify Galveston County in writing immediately, through written notification to the Galveston County Purchasing Agent, if Contractor is not in compliance with Executive Order 12549 or 12689 during the term of its contract with Galveston County.

Contractor **Represents** and **Warrants** that the individual executing this Acknowledgment and Certification on its behalf has the full power and authority to do so and can legally bind the Contractor hereto.

\_\_\_\_\_  
Name of Business

\_\_\_\_\_  
Date

By: \_\_\_\_\_  
Signature

\_\_\_\_\_  
Printed Name & Title



**ATTACHMENT C**

**CERTIFICATION REGARDING LOBBYING  
(31 U.S.C.A. § 1352)**

**This Certification must be completed, signed, dated and  
returned to the Galveston County Purchasing Agent**

**Procurement Number and Description:**

**ITB B242006 GALVESTON COUNTY MUD #12 EMERGENCY GENERATOR**

Proposer **CERTIFIES**, to the best of its knowledge and belief, that:

1. No Federal appropriated funds have been paid or will be paid, by or on behalf of the proposer, to any person for influencing or attempting to influence an officer or employee of an agency, a Member of Congress, an officer or employee of Congress, or an employee of a Member of Congress in connection with the awarding of any Federal contract, the making of any Federal grant, the making of any Federal loan, the entering into of any cooperative agreement, and the extension, continuation, renewal, amendment, or modification of any Federal contract, grant, loan, or cooperative agreement.
2. If any funds other than Federal appropriated funds have been paid or will be paid to any person for influencing or attempting to influence an officer or employee of any agency, a Member of Congress, an officer or employee of Congress, or an employee of a Member of Congress in connection with this Federal contract, grant, loan, or cooperative agreement, the proposer shall complete and submit **Standard Form LLL**, "Disclosure Form to Report Lobbying", in accordance with its instructions.
3. Proposer shall require that the language of this certification be included in the award documents for all subawards at all tiers (including subcontracts, subgrants, and contracts under grants, loans, and cooperative agreements) and that all subrecipients shall certify and disclose accordingly.

This certification is a material representation of fact upon which reliance was placed when this transaction was made or entered into. Submission of this certification is a prerequisite for making or entering into this transaction imposed by Section 1352, Title 31, U.S. Code. Any person who fails to file the required certification shall be subject to a civil penalty of not less than \$10,000 and not more than \$100,000 for each such failure.

Name of Organization/Corporation: \_\_\_\_\_

Address: \_\_\_\_\_

City: \_\_\_\_\_ State: \_\_\_\_\_ Zip Code: \_\_\_\_\_

Signature of Authorized Signatory for Proposer: \_\_\_\_\_ Date Signed: \_\_\_\_\_

Title of Authorized Signatory of Proposer: \_\_\_\_\_

# ATTACHMENT D

State of Texas

§

§

County of Galveston

§

## NON-COLLUSION AFFIDAVIT

Before me, the undersigned notary, on this day personally appeared \_\_\_\_\_ (Affiant), whom being first duly sworn, deposes and certifies that:

- Affiant is the \_\_\_\_\_ of \_\_\_\_\_, that  
(Individual, Partner, Corporate Officer) (Name of Qualifier)  
submitted the attached Qualification in **ITB B2-42006 GALVESTON COUNTY MUD #12 EMERGENCY GENERATOR**
- Affiant is a duly authorized representative of Qualifier and is authorized to make this Non-Collusion Affidavit;
- The attached Qualification is genuine and is not a collusive or sham Qualification;
- The attached Qualification has been independently arrived at without collusion with any other qualifier, bidder, proposer, person, firm, competitor, or potential competitor;
- Qualifier has not colluded, conspired, connived or agreed, directly or indirectly, with any other qualifier, bidder, proposer, person, firm, competitor, or potential competitor, to submit a collusive or sham qualification or that such other qualifier, bidder, proposer, person, firm, competitor, or potential competitor shall refrain from qualifying;
- Qualifier has not in any manner, directly or indirectly, sought by agreement or collusion or communication or conference with any other qualifier, bidder, proposer, person, firm, competitor, or potential competitor to fix the price or prices in the attached Qualification or of the qualification any other qualifier;
- Qualifier has not in any manner, directly or indirectly, sought by agreement or collusion or communication or conference with any other qualifier bidder, proposer, person, firm, competitor, or potential competitor to fix the overhead, profit or cost element of the Qualification price or prices of any other qualifier, or to secure through any collusion, conspiracy, connivance, or unlawful agreement any advantage against Galveston County or any person interested in the proposed contract;
- Affiant has not in any manner, directly or indirectly, sought by agreement or collusion or communication or conference with any other qualifier, bidder, proposer, person, firm, competitor, or potential competitor, paid or agreed to pay any other qualifier, bidder, proposer, person, firm, competitor, or potential competitor any money or anything of value in return for assistance in procuring or attempting to procure a contract or in return for establishing the price or prices in the attached Qualification or the qualification of any other Qualifier; and
- Affiant certifies that Affiant is fully informed regarding the accuracy of the statements contained herein, and under penalties of perjury, certifies and affirms the truth of the statements herein, such penalties being applicable to the Qualifier as well as to Affiant signing on its behalf.

\_\_\_\_\_  
Signature of Affiant

SWORN TO and SUBSCRIBED before me this \_\_\_\_\_ day of \_\_\_\_\_, 2023.

\_\_\_\_\_  
Notary Public

My Commission Expires: \_\_\_\_\_



## ATTACHMENT E

### Prohibition on Contracts with Companies Boycotting Israel

Prohibition on contracts with companies boycotting Israel per Government Code 2271.001 Definitions:

- (1) **"Boycott Israel"** has the meaning assigned by Section 808.001.
- (2) **"Company"** has the meaning assigned by Section 808.001; except that the term does not include a sole proprietorship.
- (2) **"Governmental entity"** has the meaning assigned by Government Code, Section 2251.001.

PROVISION REQUIRED IN CONTRACT. (a) This section applies only to a contract that:

- (1) is between a governmental entity and a company with 10 or more full-time employees; and
- (2) has a value of \$100,000 or more that is to be paid wholly or partly from public funds of the governmental entity.

(b) A governmental entity may not enter into a contract with a company for goods or services unless the contract contains a written verification from the company that it:

- (1) does not boycott Israel; and
- (2) will not boycott Israel during the term of the contract.

As required by GOVERNMENT CODE, CHAPTER 2271, CONTRACTOR hereby verifies that it does not boycott Israel and will not boycott Israel throughout the term of this Agreement. For the purposes of this verification, "Boycott Israel" means refusing to deal with, terminating business activities, or otherwise taking any action that is intended to penalize, inflict economic harm on, or limit commercial relations specifically with Israel, or a person or entity doing business in Israel or in an Israeli-controlled territory, but does not include an action made for ordinary business purposes.

**Individual by oath swears that the following statements are factual and true:**

1. Individual is authorized by the Contractor to make this statement for the Contractor.
2. Individual has read and is fully aware of the facts stated in this statement.
3. Individual can read and comprehend the English language.
4. In accordance with Texas Government Code Section 2271.002, this company does not boycott Israel and will not boycott Israel during the term of this contract/agreement.

Date: \_\_\_\_\_

Business Name of Contractor: \_\_\_\_\_

Company Address: \_\_\_\_\_

County of Contractor: \_\_\_\_\_

Individual: \_\_\_\_\_

Signature of Individual: \_\_\_\_\_



## ATTACHMENT F Prohibition on Contracts with Certain Companies

Prohibition on contracts with certain companies per Government Code 2252.151 Definitions:

- (1) "Company" has the meaning assigned by Section 806.001.
- (2) "Foreign terrorist organization" means an organization designated as a foreign terrorist organization by the United States secretary of state as authorized by 8 U.S.C. Section 1189.
- (3) "Governmental contract" means a contract awarded by a governmental entity for general construction, an improvement, a service, or a public works project for a purchase of supplies, materials, or equipment. The term includes a contract to obtain a professional or consulting service subject to Government Code, Chapter 2254.
- (4) "Governmental entity" has the meaning assigned by Government Code, Section 2252.001.

**Section 2252.152 – CONTRACTS WITH COMPANIES ENGAGED IN BUSINESS WITH IRAN, SUDAN, OR FOREIGN TERRORIST ORGANIZATION PROHIBITED.** A governmental entity may not enter into a governmental contract with a company that is identified on a list prepared and maintained under Section 806.051, 807.051, or 2252.153.

Section 2252.153 – Listed Companies. The comptroller shall prepare and maintain, and make available to each governmental entity, a list of companies known to have contracts with or provide supplies or services to a foreign terrorist organization.

Pursuant to Chapter 2252, Texas Government Code, **VENDOR** represents and certifies that, at the time of execution of this Agreement, neither Vendor, nor any wholly owned subsidiary, majority-owned subsidiary, parent company or affiliate of the same (i) engages in business with Iran, Sudan, or any foreign terrorist organization as described in Chapters 806 or 807 of the Texas Government Code, or Subchapter F of Chapter 2252 of the Texas Government Code, or (ii) is a company listed by the Texas Comptroller of Public Accounts under Sections 806.051, 807.051, or 2252.153 of the Texas Government Code. The term "foreign terrorist organization" in this paragraph has the meaning assigned to such term in Section 2252.151 of the Texas Government Code.

**Individual by oath swears that the following statements are factual and true:**

1. Individual is authorized by the Contractor to make this statement for the Contractor.
2. Individual has read and is fully aware of the facts stated in this statement.
3. Individual can read and comprehend the English language.
4. As required by GOVERNMENT CODE, CHAPTER 2252.152, CONTRACTOR hereby verifies that it is not identified on a list prepared and maintained under Section 806.051, 807.051, or 2252.153, or contracting with a company doing business with Iran, Sudan, or any foreign terrorist organizations.

Date: \_\_\_\_\_

Business Name of Contractor: \_\_\_\_\_

Company Address: \_\_\_\_\_

County of Contractor: \_\_\_\_\_

Name of Individual: \_\_\_\_\_

Signature of Individual: \_\_\_\_\_



## ATTACHMENT G INFORMATION FOR NOTICE

Solicitation Number: ITB B242006

Solicitation Title: GALVESTON COUNTY MUD #12 EMERGENCY GENERATOR

Respondent shall use this form to provide the information for notice.

1. Contact information for notice:

Name: \_\_\_\_\_

Address: \_\_\_\_\_  
\_\_\_\_\_

Telephone Number: \_\_\_\_\_ Facsimile number: \_\_\_\_\_

2. If a copy of notice is requested, please complete below:

Name: \_\_\_\_\_

Address: \_\_\_\_\_  
\_\_\_\_\_

Telephone Number: \_\_\_\_\_ Facsimile number: \_\_\_\_\_

3. If second or more copies are requested for notice, please supplement this form, and clearly mark the supplement as "Supplementary Notice Information."



## ATTACHMENT H REFERENCES

Solicitation Number: ITB B242006

Solicitation Title: GALVESTON COUNTY MUD #12 EMERGENCY GENERATOR

Respondent shall use this form to provide **three (3) references who can attest to the Respondent's capability to carry out the requirements set forth in this qualification request.** If Respondent wishes to provide more than the minimum, Respondent should supplement this form and should clearly mark the supplement as "Supplementary Reference Information."

1. Business Name of Organization: \_\_\_\_\_

Name of Person: \_\_\_\_\_

Title of Individual within Organization, if applicable: \_\_\_\_\_

Business address: \_\_\_\_\_  
\_\_\_\_\_

Telephone Number: \_\_\_\_\_ Facsimile number: \_\_\_\_\_

2. Business Name of Organization: \_\_\_\_\_

Name of Person: \_\_\_\_\_

Title of Individual within Organization, if applicable: \_\_\_\_\_

Business address: \_\_\_\_\_  
\_\_\_\_\_

Telephone Number: \_\_\_\_\_ Facsimile number: \_\_\_\_\_

3. Business Name of Organization: \_\_\_\_\_

Name of Person: \_\_\_\_\_

Title of Individual within Organization, if applicable: \_\_\_\_\_

Business address: \_\_\_\_\_  
\_\_\_\_\_

Telephone Number: \_\_\_\_\_ Facsimile number: \_\_\_\_\_

**BID SUMMARY SHEET**

**BID #: B242006**  
**OPEN: 02/08/2024**  
**02:00PM**

**Galveston County Municipal Utility District**

**GALVESTON COUNTY, TEXAS**

Item	Product Code	Description	Quantity	Units	VENDOR NAME:		VENDOR NAME:		VENDOR NAME:	
					Unit Price	Extended Price	Unit Price	Extended Price	Unit Price	Extended Price
0001	96100	GALVESTON COUNTY MUD 12 GENERATOR	1	UN						
<b>Total of all Items:</b>										

**LINE ITEM DETAIL**

BID #: B242006  
OPEN: 02/08/2024  
02:00PM

Galveston County Municipal Utility District  
GALVESTON COUNTY, TEXAS

**VENDOR**

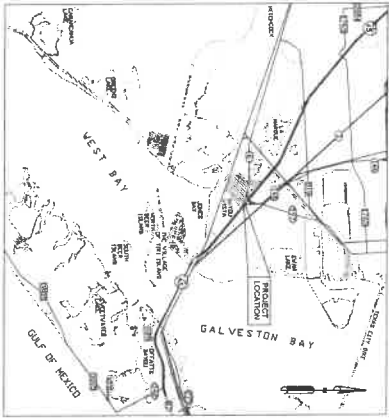
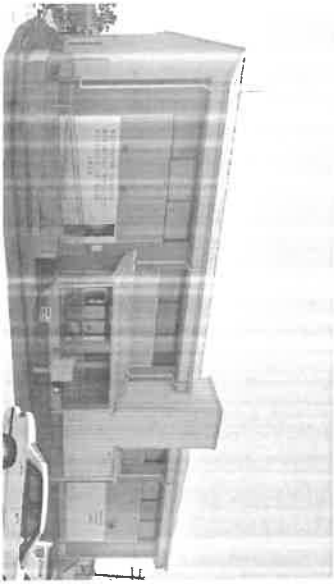
Item No.	Product Code	Description	Quantity	Units	Catalog #	Unit Price	Extended Price
0001	96100	GALVESTON COUNTY MUD 12 GENERATOR	1	UN		\$	\$
<b>Extended Price Total of all Items: \$</b>							



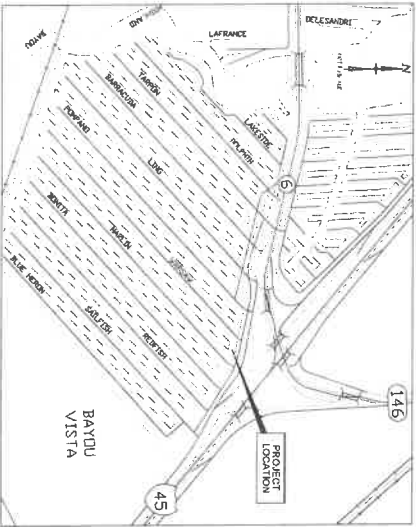
# GALVESTON COUNTY MUD 12 EMERGENCY GENERATOR

2929 HWY 6, BAYOU VISTA, TX 77563

GALVESTON COUNTY



LOCATION MAP



VICINITY MAP

**DRAWING LIST**

- C1 - COVER SHEET
- C2 - GENERAL NOTES
- C3 - OVERALL SITE PLAN
- C4 - ENLARGED SITE PLAN
- S0 - STRUCTURAL GENERAL NOTES, ABBREVIATIONS, & SYMBOLS
- S1 - SPECIAL INSPECTIONS
- S2 - STRUCTURAL PLANS & DETAILS
- S3 - STRUCTURAL DETAILS
- S4 - STRUCTURAL DETAILS
- E0 - ELECTRICAL GENERAL NOTES & LEGEND
- E1 - ELECTRICAL SITE PLAN
- E2 - ELECTRICAL ONE LINE & DETAILS
- E3 - E3 ELECTRICAL EXISTING REFERENCE FLOOR PLANS



Know what's below.  
Call before you dig.

**HUITT  
HZ ZOLLARS**  
Suite 300  
Houston, Texas 77042-4248  
281.496.0066  
TBPE Reg. No. F-761



**HUITT  
HZ ZOLLARS**

10350 Richmond Avenue, Suite 300  
Houston, Texas 77042-4248  
281.496.0066  
www.hzsz.com



11/20/2023  
No. 1  
ISSUE FROM  
DATE 11/20/2023

GALVESTON COUNTY  
MUD 12 GENERATOR  
**COVER SHEET**

Project number	RL03588-01
Date	11-20-2023
Drawn by	CO
Checked by	OV
Scale	N/A
Sheet	C1

**GENERAL CONSTRUCTION NOTES**

1. THE CONTRACTOR SHALL FIELD VERIFY EXISTING CONDITIONS BEFORE BEGINNING CONSTRUCTION.
2. THE CONTRACTOR IS RESPONSIBLE FOR PROVIDING SECURITY TO PROTECT THE PROJECT SITE, CONTRACTOR PROPERTY, EQUIPMENT, AND WORK.
3. THE CONTRACTOR IS RESPONSIBLE FOR CLEANING STREETS OF CONSTRUCTION DIRT AND DEBRIS AT CLOSE OF EACH WORK DAY.
4. THE CONDITION OF THE ROAD AND/OR RIGHT-OF-WAY, UPON COMPLETION OF THE JOB SHALL BE AS GOOD AS OR BETTER THAN PRIOR TO STARTING WORK.
5. PRIOR TO CONSTRUCTION, THE CONTRACTOR, ALONG WITH CONCURRENCE FROM THE FIELD ENGINEER, SHALL DETERMINE HIS/HER LAY-DOWN AND/OR STAGING AREA LOCATIONS.
6. THE CONTRACTOR SHALL NOTIFY ALL PROPERTY OWNERS A MINIMUM OF 24 HOURS PRIOR TO BLOCKING DRIVEWAYS OR DIVERTING UTILITY EASEMENTS.
7. TRAFFIC INGRESS AND EGRESS FOR DRIVEWAYS AND PEDESTRIAN ACCESS FACILITIES SHALL BE MAINTAINED THROUGHOUT CONSTRUCTION.
8. THE CONTRACTOR SHALL REMOVE ANY FENCES, POSTS, MAILBOXES, PLANTERS, TREES, SIGNAGE, LIGHTS, UTILITY POLES, ETC. OR RIGHT-OF-WAY. NOTE: PRIOR TO CONSTRUCTION, THE PROPERTY OWNER WAS PAID TO RELOCATE OR REPLACE THESE ITEMS OUTSIDE OF THE COUNTY'S RIGHT-OF-WAY. IF THE OWNER HAS FAILED TO DO SO, THE CONTRACTOR WILL REPLACE THEM WITH THE MINIMUM LEVEL OF QUALITY NEEDED TO SECURE THE PROPERTY AND/OR MAINTAIN MAIL DELIVERY. IN THAT CASE, PAYMENT FOR THESE INSTALLATIONS WILL BE INCLUDED AS EXTRA WORK ITEMS OR AS OVERRUNS TO EXISTING PAY ITEMS.

ANY DAMAGE CAUSED BY THE CONTRACTOR TO SUCH ITEMS LOCATED OUTSIDE OF THE COUNTY'S RIGHT-OF-WAY, SHALL BE REPLACED WITH LIKE-KIND OR BETTER AT THE CONTRACTOR'S EXPENSE.

ALSO, IF THESE ITEMS ARE LOCATED WITHIN THE PROJECT RIGHT-OF-WAY AND ARE DESIGNATED TO REMAIN, ANY DAMAGE CAUSED BY THE CONTRACTOR TO SUCH ITEMS, SHALL BE REPLACED WITH LIKE-KIND OR BETTER AT THE CONTRACTOR'S EXPENSE.

9. PAVED SURFACES, PAVEMENT MARKERS AND MARKINGS SHALL BE PROTECTED FROM DAMAGE BY TRACKED EQUIPMENT.
10. IRON RODS DISTURBED DURING CONSTRUCTION ARE TO BE REPLACED BY A REGISTERED PUBLIC LAND SURVEYOR FOR THE ORIGINAL PROPERTY OWNER AT NO SEPARATE PAY.
11. CONSTRUCTION STAKING WILL BE PROVIDED BY THE CONTRACTOR. TWO COPIES OF STAKING NOTES TO BE PROVIDED TO THE ENGINEER PRIOR TO CONSTRUCTION.
12. THE CONTRACTOR SHALL MAINTAIN UPDATED RED-LINED RECORD DRAWINGS ON SITE FOR INSPECTION BY THE ENGINEER.
13. THE REMOVAL OF ANY ABANDONED UTILITIES REQUIRED TO COMPLETE THE WORK SHALL BE INCIDENTAL AND NO SEPARATE PAYMENT SHALL BE MADE.
14. IT IS THE CONTRACTOR'S RESPONSIBILITY TO STOCKPILE NECESSARY

MATERIAL ON-SITE OR AT A SECURED OFF-SITE LOCATION AT NO EXTRA CHARGE. THE CONTRACTOR SHALL BE RESPONSIBLE FOR THE REMOVAL OF THE PROJECT WHICH IS AVAILABLE AT THE TIME OF NEEDED EXCAVATION, SHALL BE USED BEFORE BORROW IS BROUGHT ON-SITE. 15. MANHOLES, JUNCTION BOXES, INLETS, AND RISERS ARE TO BE RE-CAST OR CAST IN PLACE.

**UTILITY COMPANY NOTES**

UTILITY COMPANIES: CENTERPOINT ENERGY, WARNING: OVERHEAD LINES MAY EXIST ON THE PROPERTY. WE HAVE NOT ATTEMPTED TO MARK THESE LINES SINCE THEY ARE CLEARLY VISIBLE, BUT YOU SHOULD LOCATE THEM PRIOR TO BEGINNING ANY CONSTRUCTION, TEXAS LAW, SECTION 752, HEALTH & SAFETY CODE, FORBIDS ALL ACTIVITIES IN WHICH PERSONS OR THINGS MAY COME WITHIN SIX (6) FEET OF LIVE OVERHEAD HIGH VOLTAGE LINES. CONTRACTOR AND OWNERS ARE LEGALLY RESPONSIBLE FOR SAFETY OF CONSTRUCTION WORKERS UNDER THESE CONDITIONS. CALL UTILITY COMPANIES TO BE MOVED, CALL HELP AT 713-728-7400.

TO TAKE OUR UNDERGROUND FACILITIES, PLEASE CALL THE UCC 713-23-4567 OR TOLL FREE 1-800-699-8244 AT LEAST 48 HOURS BEFORE STARTING EXCAVATION. NOTE: LOCATION OF HELP CO. FACILITIES ARE APPROXIMATE AND HAVE NOT BEEN VERIFIED BY ACTUAL FIELD CHECK.

CAUTION: UNDERGROUND GAS FACILITIES. LOCATION OF ENTER FACILITIES (TO INCLUDE UNIT GAS TRANSMISSION, SAN JACINTO GAS TRANSMISSION, AND/OR INDUSTRIAL GAS SUPPLY CORPORATION WHERE APPLICABLE) ARE SHOWN IN AN APPROXIMATE LOCATION ONLY. THE CONTRACTOR SHALL CONTACT THE UTILITY COORDINATING COMMITTEE AT 713-223-4567 OR 1-800-669-8344 A MINIMUM OF 48 HOURS PRIOR TO CONSTRUCTION TO HAVE UTILITIES FIELD LOCATED. THE CONTRACTOR SHALL DETERMINE THE EXACT LOCATION BEFORE CONSTRUCTION BEGINS. THE CONTRACTOR SHALL PRESERVE ANY DAMAGES CAUSED BY HIS/HER FAILURE TO EXACTLY LOCATE AND PRESERVE THESE UNDERGROUND FACILITIES. THE RELOCATION OF LINES DONE AT CONTRACTOR'S EXPENSE.

NOTE: THE LOCATIONS OF SBC FACILITIES ARE SHOWN IN AN APPROXIMATE WAY ONLY. THE CONTRACTOR SHALL DETERMINE THE EXACT LOCATION BEFORE COMMENCING WORK. HE AGREES TO BE FULLY RESPONSIBLE FOR ANY AND ALL DAMAGES WHICH MIGHT BE OCCASIONED BY THIS FAILURE TO EXACTLY LOCATE AND PRESERVE THESE UNDERGROUND UTILITIES.

THE CONTRACTOR SHALL CALL 1-800-344-8377 A MINIMUM OF 48 HOURS PRIOR TO CONSTRUCTION TO HAVE UNDERGROUND LINES FIELD LOCATED. WHEN EXCAVATING WITHIN EIGHTEEN INCHES (18") OF THE INDICATED LOCATION OF SBC FACILITIES, ALL EXCAVATIONS MUST BE ACCOMPLISHED USING NON-MECHANIZED EXCAVATION PROCEDURES. WHEN BORING, THE CONTRACTOR SHALL EXPOSE THE SBC FACILITIES.

WHEN SBC FACILITIES ARE EXPOSED, THE CONTRACTOR WILL PROVIDE SUPPORT TO PREVENT DAMAGE TO THE CONDUIT DUCTS OR CABLES, WHEN EXCAVATING NEAR TELEPHONE POLES THE CONTRACTOR SHALL BRACE THE POLE FOR SUPPORT.

**STREET AND BRIDGE NOTES**

1. EXISTING PAVEMENTS, CURBS, SIDEWALKS AND DRIVEWAYS DAMAGED OR REMOVED DURING CONSTRUCTION SHALL BE REPLACED TO THE CITY OF DICKINSON STANDARDS AND/OR GALVESTON COUNTY STANDARDS.
2. CONDITION OF THE ROAD AND/OR RIGHT-OF-WAY, UPON COMPLETION OF JOB SHALL BE AS GOOD AS OR BETTER THAN PRIOR TO STARTING WORK.
3. CONTRACTOR SHALL COMPLY WITH O.S.H.A. REGULATIONS AND STATE OF TEXAS LAW CONCERNING EXCAVATION, TRENCHING AND SHORING.
4. ADJACENT DRAINAGE SHALL BE MAINTAINED AT ALL TIMES DURING CONSTRUCTION AND ANY DRAINAGE DITCH OR STRUCTURE DISTURBED DURING CONSTRUCTION SHALL BE RESTORED TO THE SATISFACTION OF

**THE OWNING AUTHORITY,**

5. THE CONTRACTOR MUST KEEP ALL EXISTING STREETS CLEAN OR CONSTRUCTION RELATED DEBRIS AT ALL TIMES.
6. THE FINISHED PAVEMENT SURFACE SHALL NOT DEVIATE FROM THE ESTABLISHED GRADE AND CROSS-SECTION MORE THAN 1/8" (1/8") IN TEN FEET WHEN TESTED WITH A STRAIGHT EDGE PLACED PARALLEL TO THE CENTERLINE AND NOT MORE THAN 1/4" (1/4") IN TEN FEET AT RIGHT ANGLES TO THE CENTERLINE.

**SNIPPET CONSTRUCTION NOTES**

1. CONTRACTOR SHALL IMPLEMENT INLET PROTECTION DEVICES AND REINFORCED FILTER FABRIC BARRIER ALONG ROAD AND SIDE CHANGES AT LOCATIONS SHOWN ON THE TYPICAL STORM WATER POLLUTION MATERIALS FROM EXTERIOR INTO THE STORM WATER INLETS. AND MATERIALS EVENTUALLY FOLLOWING THE RECEIVING STORM.
2. DURING THE EXCAVATION PHASE OF THE PROJECT CONTRACTOR SHALL SCHEDULE THE WORK IN SHORT SEGMENTS SO THAT EXCAVATION MATERIAL CAN BE QUICKLY HAULED AWAY FROM THE SITE AID TO PREVENT IT FROM STAYING UNCOLLECTED ON THE EXISTING PAVEMENT. ANY LOOSE EXCAVATED MATERIAL WHICH FALLS ON PAVEMENTS OR DRIVEWAYS SHALL BE SWEEPED BACK INTO THE EXCAVATED AREA.
3. CONTRACTOR SHALL CLEAN UP THE EXISTING STREET INTERSECTIONS AND DRIVEWAYS DAILY AS NECESSARY TO REMOVE ANY EXCESS MUD, SILT OR ROCK TRACKED FROM THE EXCAVATED AREA.
4. CONTRACTOR SHALL FOLLOW GOOD HOUSEKEEPING PRACTICES RUMING THE CONSTRUCTION OF THE PROJECT TO MAINTAIN CLEAN DRIVEWAYS AND LOOSE MATERIAL AS CONSTRUCTION PROGRESSES.
5. CONTRACTOR TO INSPECT AND MAINTAIN THE AREAS LISTED BELOW AT LEAST ONCE EVERY FOURTEEN(14) CALENDAR DAYS, AND WITHIN 24 HOURS OF THE END OF A STORM EVENT OF 0.5 INCHES OR GREATER.
  - DISTURBED AREAS OF THE CONSTRUCTION SITE THAT HAVE NOT BEEN FINALLY STABILIZED.
  - AREAS USED FOR STORAGE OF MATERIALS THAT ARE EXPOSED TO PRECIPITATION.
  - STRUCTURAL CONTROL MEASURES.
  - LOCATIONS WHERE VEHICLES ENTER OR EXIT THE SITE.

6. CONTRACTOR TO BE RESPONSIBLE TO MAINTAIN EXISTING DITCHES AND OR CULVERTS FOR UNOBSERVED DRAINAGE AT ALL TIMES, WHERE SUCH SODDING IS DISTURBED BY EXCAVATION OR BACKFILLING OPERATIONS. SUCH AREAS SHALL BE REPLACED BY SEEDING OR SODDING. SLOPES 4:1 OR STEEPER SHALL BE REPLACED BY BLOCK SODDING.



Know whats below. Call before you dig.



**HZ HUIT ZOLLARS**  
 10390 Redwood Avenue, Suite 300  
 Houston, TX 77044-4148  
 281.482.0076  
 www.huit-zollars.com

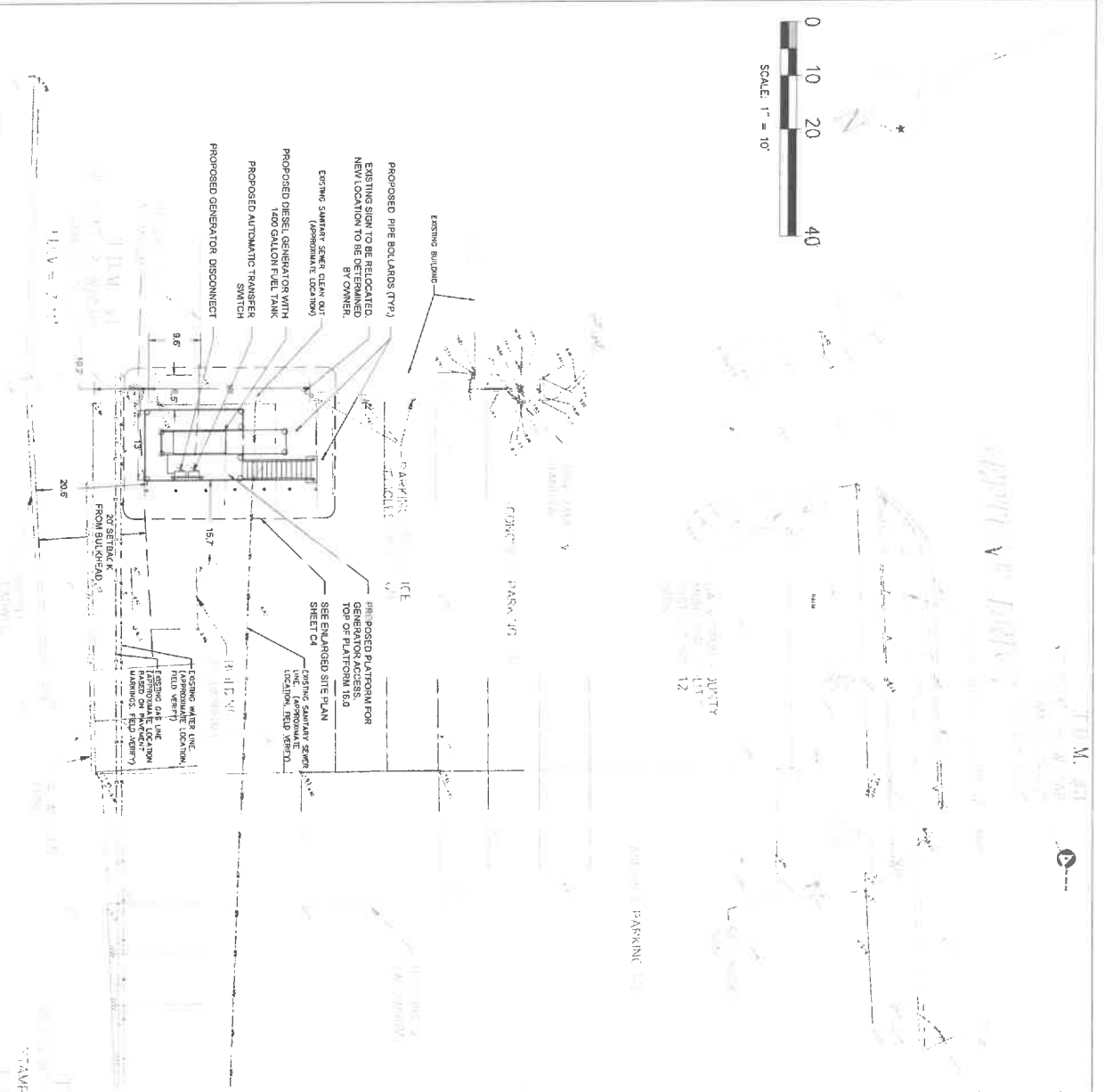
11/20/2023

**GALVESTON COUNTY MUD 12 GENERATOR**

**GENERAL NOTES**

Project Number: R000686 01  
 Date: 11/20/2023  
 Drawn By: CD  
 Checked By: OVK  
 Scale: 1/4" = 1'

**C2**



**FLOODPLAIN:**  
 THIS SITE IS LOCATION IN ZONE AE WITH 100-YEAR BASE FLOOD ELEVATION OF 14.0 PER FIRM PANEL 48167/04100 DATED AUGUST 15, 2018.

**NOTE:**  
 ALL COORDINATES SHOWN HEREON ARE BASED ON AND REFERENCED TO THE TEXAS COORDINATE SYSTEM, SOUTH ZONAL ZONE (4 04), NORTH AMERICAN DATUM OF 1983 (NAD 83), CORRS 2011, ELEVATION 2010.00.  
 ALL ELEVATIONS SHOWN HEREON ARE BASED ON NAVD83 GEOD

**VERTICAL DATUM:**  
 PROJECT BENCHMARK (N.T.S. BENCHMARK\_AWD146\_U1219)  
 OBSERVED ELEVATION OF 0.89' (AS OF 2018-11-05)

**IRBM #1 (CONTROL POINT #11)**  
 SET 5/8" IR WITH CAP STAMPED "HUIT-ZOLLARS" LOCATED SOUTH OF THE SOUTHEAST CORNER OF BUILDING NO. 3 (AS SHOWN IN THE DRAWING)  
 ELEV = 7.41'

**IRBM #2 (CONTROL POINT #12)**  
 SET 5/8" IR WITH CAP STAMPED "HUIT-ZOLLARS" LOCATED EAST OF THE WOODEN PADWALL LOCATED ON SOUTHERN PART OF PROPERTY (AS SHOWN IN THE DRAWING)  
 ELEV = 5.92'

**IRBM #3 (CONTROL POINT #13)**  
 SET 5/8" IR WITH CAP STAMPED "HUIT-ZOLLARS" LOCATED CENTER OF ROAD ON NETTUNE DRIVE (AS SHOWN IN THE DRAWING)  
 ELEV = 5.02'

**LEGEND:**

- ☒ = WATER METER
- ⊙ = TEMPORARY BENCHMARK /CONTROL POINT
- ⊕ = CONTROL POINT
- ⊙ = FOUND IRON REBAR
- ⊙ = FOUND IRON PIPE/OTHER
- ⊙ = SET 5/8" IRON ROD WITH STAMPED "HUIT-ZOLLARS"
- = WOODEN FENCE
- = FLOW LINE
- = TOP OF BANK
- = TOP OF SLOPE
- = PAVEMENT EDGE-CURB
- = GRAVEL PAVEMENT
- = EXISTING WATER LINE
- = EXISTING GAS LINE
- = EXISTING SANITARY
- = SIGN
- = PALM TREE

NOTE: THIS DRAWING WAS CREATED FOR PRODUCTION USING THE "PLOT" COMMAND. DO NOT SCALE PRINTS.



**HUIT ZOLLARS**  
 10320 Highway 170, Suite 300  
 Houston, Texas 77057-2428  
 281.456.0066  
 www.huitzollars.com



11/20/2023  
 11/20/2023  
 11/20/2023

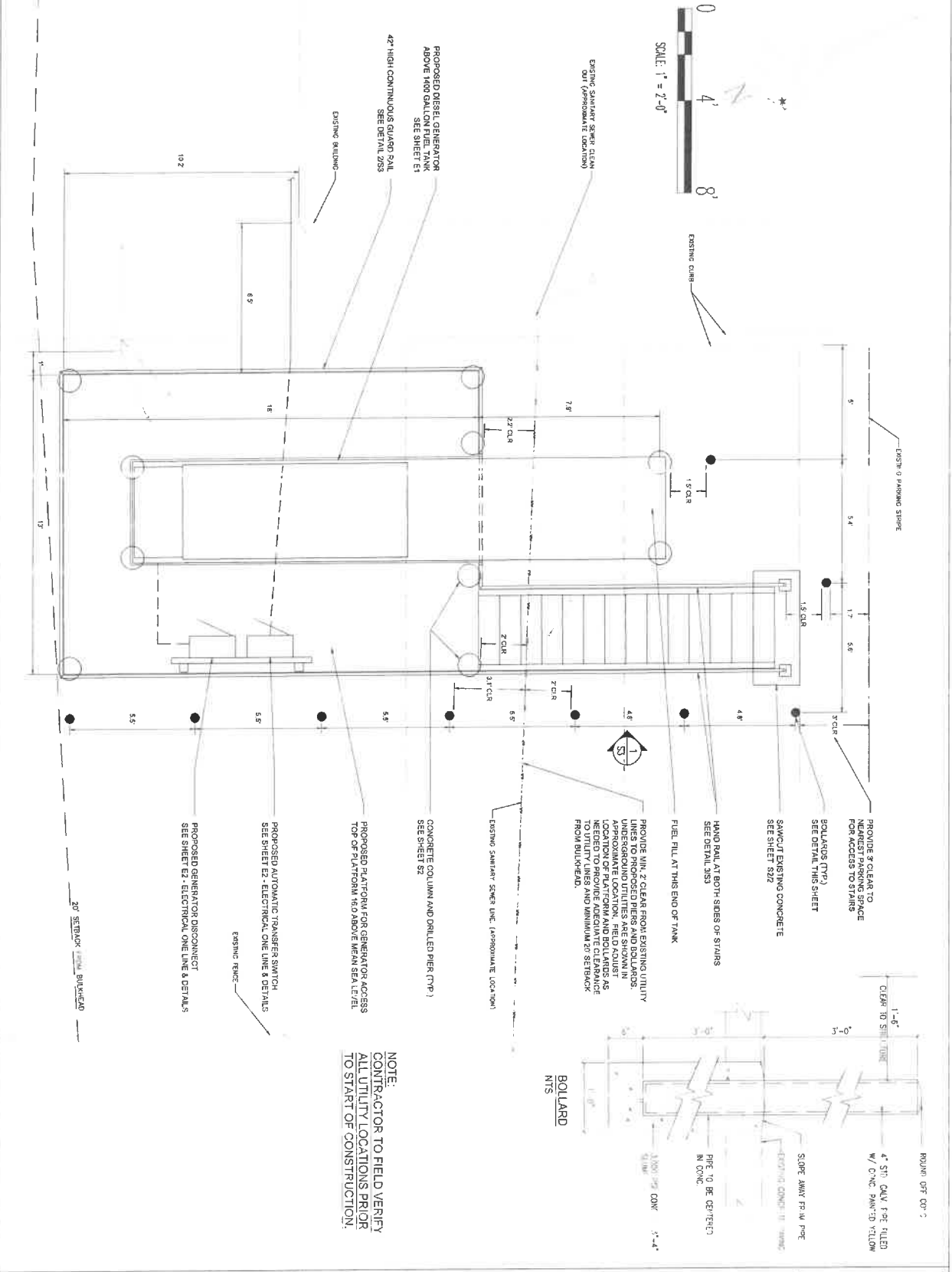
No.	Issue/Revision	Date
1	ISSUE FOR ID	11/20/2023

**GALVESTON COUNTY  
 MUD 12 GENERATOR  
 OVERALL SITE  
 PLAN**


Project Number: 18-001441-01  
 Date: 11-20-2023  
 Drawn by: C3  
 Checked by: C3

Scale: 1" = 10'

C3




NOTE THIS DRAWING WAS CREATED FOR PRODUCTION ON 22"x34" SHEET SIZE. DO NOT CALIF PRINTS



**HZ HUITT ZOLLARS**

1039 Redwood Avenue, Suite 300  
Houston, Texas 77024-4248  
281.456.0066  
www.hzzollars.com

No.	Description	Date
1	ISSUED FOR R.D.	11/20/2023



*[Signature]*  
11/20/2023  
Houston, TX  
Professional Engineer No. 4731

**ENLARGED SITE PLAN**

**GALVESTON COUNTY MUD 12 GENERATOR**

Project Number: R200044-01  
Date: 11/20/2023  
Drawn by: CJW  
Checked by: GAW  
**C4**

SCALE: AS SHOWN



INSPECTION OF CONCRETE CONSTRUCTION			
REQUIRED VERIFICATION AND INSPECTION	CONTINUOUS PERIOD	REFERENCE	IRC
1. INSPECT REINFORCEMENT INCLUDING PRESTRESSING TENDONS AND VERIFY PLACEMENT	---	AC318 CH 20.3.2, 20.3.2.6, 20.3.2.3	1098.4
2. VERIFY QUALITY OF REINFORCING BARS	---	AMS D14, AC318 20.3.4	---
3. INSPECT SINGLE-CELLS FILET WELDS MAXIMUM	X	---	---
4. INSPECT ALL OTHER WELDS	---	---	---
5. INSPECT ANCHORS CAST IN CONCRETE	X	AC318 17.4.2	---
6. INSPECT ANCHORS POST INSTALLED UNBROKEN CONCRETE MEMBERS	---	---	---
7. ANCHORS AND POST INSTALLED UNBROKEN CONCRETE MEMBERS OPERATIONAL TO RESIST SHEAR AND TENSION LOADS	X	AC318 17.4.2.4	---
8. MECHANICAL ANCHORS AND ADHESIVE	X	AC318 17.4.2	---
9. MECHANICAL ANCHORS AND ADHESIVE	X	AC318 17.4.2	---
10. PRIOR TO CONCRETE PLACEMENT VERIFY CONCRETE STRENGTH TESTS PERFORM SLUMP TESTS AND COMPACT TEMPERATURE OF THE CONCRETE	X	ASTM C172, ASTM C318	1098.10
11. INSPECT FOR CONCRETE AND SPOILS PLACEMENT	X	AC318 26.4, 26.12	1098.11
12. VERIFY MAINTENANCE OF SPECIFIC CURING TEMPERATURE AND TECHNIQUES	---	AC318 26.5	1098.12
13. INSPECT PRESTRESSED CONCRETE FOR	X	AC318 7.5.3, 7.5.5	1098.9
14. APPLICATION OF PRESTRESSING FORCES	X	AC318 26.10	---
15. GRADUATION OF BONDING PRESTRESSING TENDONS	X	---	---
16. INSPECT REJECTION OF PRECAST CONCRETE MEMBERS	---	AC318 CH 26.8	---
17. VERIFY INSTANT CONCRETE STRENGTH, PRIOR TO STRESSING OF TENDONS IN POST-TENSIONED CONCRETE	X	AC318 26.11.2	---
18. INSPECT FOR CRACKS AND FRESH PLACEMENT AND FORMS FROM JOINTS AND STRUCTURAL SLABS	---	---	---
19. INSPECT FORMWORK FOR SQUARE LOCATION AND DIMENSIONS OF THE CONCRETE MEMBER BEING FORMED	X	AC318 26.11.1, 26.9	---

INSPECTION OF MASONRY CONSTRUCTION (LEVEL B)			
REQUIRED VERIFICATION AND INSPECTION	CONTINUOUS PERIOD	REFERENCE	IRC
1. COMPLETE AS WITH REQUIRED INSPECTION AND PROVIDE 90% OF THE CONSTRUCTION DOCUMENTS TO THE PROJECT SUBMITTALS	---	---	---
2. VERIFY CONCRETE AND MASONRY CONSTRUCTION	X	---	---
3. VERIFY LOCATION OF STRUCTURAL AND SYSTEMS BE REFERRED TO THE SITE FOR SET-CONSTRUCTION DOCUMENT	X	---	---
4. ADMINISTER CONSTRUCTION BEING. THE FOLLOWING SHALL BE REFERRED TO ENSURE COMPLIANCE	---	---	---
5. PRE-CONSTRUCTION OF THE PREPARED WORK	X	---	---
6. CONSTRUCTION OF MORTAR JOINTS	X	---	---
7. LOCATION OF REINFORCEMENT, CONNECTORS, PRE-STRESSING TENDONS AND ANCHORS	X	---	---
8. PRE-STRESSING TECHNIQUE	X	---	---
9. GRADE AND SIZE OF PRESTRESSING TENDONS	X	---	---
10. ANY ANCHORS	X	---	---
11. DIMENSIONAL DISTRIBUTION OF THE INSPECTION PROGRAM SHALL VERIFY:	---	---	---
12. SIZE AND LOCATION OF STRUCTURAL ELEMENTS	X	---	---
13. TYPE, SIZE AND LOCATION OF ANCHORS, JOINTS, OTHER DETAILS OF ANCHORS, REINFORCEMENT, PRE-STRESSING TENDONS, REINFORCING OTHER CONSTRUCTION	X	---	---
14. SET, PRE-CAST, GRADE AND TYPE OF REINFORCEMENT, ANCHORS AND JOINTS	X	---	---
15. WELDING OF REINFORCING BARS	X	---	---
16. PRE-CAST CONSTRUCTION AND WELDING OF REINFORCING BARS	X	---	---
17. PRE-CAST CONSTRUCTION AND WELDING OF REINFORCING BARS	X	---	---
18. PRE-CAST CONSTRUCTION AND WELDING OF REINFORCING BARS	X	---	---
19. PRE-CAST CONSTRUCTION AND WELDING OF REINFORCING BARS	X	---	---
20. PRE-CAST CONSTRUCTION AND WELDING OF REINFORCING BARS	X	---	---
21. PRE-CAST CONSTRUCTION AND WELDING OF REINFORCING BARS	X	---	---
22. PRE-CAST CONSTRUCTION AND WELDING OF REINFORCING BARS	X	---	---
23. PRE-CAST CONSTRUCTION AND WELDING OF REINFORCING BARS	X	---	---
24. PRE-CAST CONSTRUCTION AND WELDING OF REINFORCING BARS	X	---	---
25. PRE-CAST CONSTRUCTION AND WELDING OF REINFORCING BARS	X	---	---
26. PRE-CAST CONSTRUCTION AND WELDING OF REINFORCING BARS	X	---	---
27. PRE-CAST CONSTRUCTION AND WELDING OF REINFORCING BARS	X	---	---
28. PRE-CAST CONSTRUCTION AND WELDING OF REINFORCING BARS	X	---	---
29. PRE-CAST CONSTRUCTION AND WELDING OF REINFORCING BARS	X	---	---
30. PRE-CAST CONSTRUCTION AND WELDING OF REINFORCING BARS	X	---	---
31. PRE-CAST CONSTRUCTION AND WELDING OF REINFORCING BARS	X	---	---
32. PRE-CAST CONSTRUCTION AND WELDING OF REINFORCING BARS	X	---	---
33. PRE-CAST CONSTRUCTION AND WELDING OF REINFORCING BARS	X	---	---
34. PRE-CAST CONSTRUCTION AND WELDING OF REINFORCING BARS	X	---	---
35. PRE-CAST CONSTRUCTION AND WELDING OF REINFORCING BARS	X	---	---
36. PRE-CAST CONSTRUCTION AND WELDING OF REINFORCING BARS	X	---	---
37. PRE-CAST CONSTRUCTION AND WELDING OF REINFORCING BARS	X	---	---
38. PRE-CAST CONSTRUCTION AND WELDING OF REINFORCING BARS	X	---	---
39. PRE-CAST CONSTRUCTION AND WELDING OF REINFORCING BARS	X	---	---
40. PRE-CAST CONSTRUCTION AND WELDING OF REINFORCING BARS	X	---	---
41. PRE-CAST CONSTRUCTION AND WELDING OF REINFORCING BARS	X	---	---
42. PRE-CAST CONSTRUCTION AND WELDING OF REINFORCING BARS	X	---	---
43. PRE-CAST CONSTRUCTION AND WELDING OF REINFORCING BARS	X	---	---
44. PRE-CAST CONSTRUCTION AND WELDING OF REINFORCING BARS	X	---	---
45. PRE-CAST CONSTRUCTION AND WELDING OF REINFORCING BARS	X	---	---
46. PRE-CAST CONSTRUCTION AND WELDING OF REINFORCING BARS	X	---	---
47. PRE-CAST CONSTRUCTION AND WELDING OF REINFORCING BARS	X	---	---
48. PRE-CAST CONSTRUCTION AND WELDING OF REINFORCING BARS	X	---	---
49. PRE-CAST CONSTRUCTION AND WELDING OF REINFORCING BARS	X	---	---
50. PRE-CAST CONSTRUCTION AND WELDING OF REINFORCING BARS	X	---	---
51. PRE-CAST CONSTRUCTION AND WELDING OF REINFORCING BARS	X	---	---
52. PRE-CAST CONSTRUCTION AND WELDING OF REINFORCING BARS	X	---	---
53. PRE-CAST CONSTRUCTION AND WELDING OF REINFORCING BARS	X	---	---
54. PRE-CAST CONSTRUCTION AND WELDING OF REINFORCING BARS	X	---	---
55. PRE-CAST CONSTRUCTION AND WELDING OF REINFORCING BARS	X	---	---
56. PRE-CAST CONSTRUCTION AND WELDING OF REINFORCING BARS	X	---	---
57. PRE-CAST CONSTRUCTION AND WELDING OF REINFORCING BARS	X	---	---
58. PRE-CAST CONSTRUCTION AND WELDING OF REINFORCING BARS	X	---	---
59. PRE-CAST CONSTRUCTION AND WELDING OF REINFORCING BARS	X	---	---
60. PRE-CAST CONSTRUCTION AND WELDING OF REINFORCING BARS	X	---	---
61. PRE-CAST CONSTRUCTION AND WELDING OF REINFORCING BARS	X	---	---
62. PRE-CAST CONSTRUCTION AND WELDING OF REINFORCING BARS	X	---	---
63. PRE-CAST CONSTRUCTION AND WELDING OF REINFORCING BARS	X	---	---
64. PRE-CAST CONSTRUCTION AND WELDING OF REINFORCING BARS	X	---	---
65. PRE-CAST CONSTRUCTION AND WELDING OF REINFORCING BARS	X	---	---
66. PRE-CAST CONSTRUCTION AND WELDING OF REINFORCING BARS	X	---	---
67. PRE-CAST CONSTRUCTION AND WELDING OF REINFORCING BARS	X	---	---
68. PRE-CAST CONSTRUCTION AND WELDING OF REINFORCING BARS	X	---	---
69. PRE-CAST CONSTRUCTION AND WELDING OF REINFORCING BARS	X	---	---
70. PRE-CAST CONSTRUCTION AND WELDING OF REINFORCING BARS	X	---	---
71. PRE-CAST CONSTRUCTION AND WELDING OF REINFORCING BARS	X	---	---
72. PRE-CAST CONSTRUCTION AND WELDING OF REINFORCING BARS	X	---	---
73. PRE-CAST CONSTRUCTION AND WELDING OF REINFORCING BARS	X	---	---
74. PRE-CAST CONSTRUCTION AND WELDING OF REINFORCING BARS	X	---	---
75. PRE-CAST CONSTRUCTION AND WELDING OF REINFORCING BARS	X	---	---
76. PRE-CAST CONSTRUCTION AND WELDING OF REINFORCING BARS	X	---	---
77. PRE-CAST CONSTRUCTION AND WELDING OF REINFORCING BARS	X	---	---
78. PRE-CAST CONSTRUCTION AND WELDING OF REINFORCING BARS	X	---	---
79. PRE-CAST CONSTRUCTION AND WELDING OF REINFORCING BARS	X	---	---
80. PRE-CAST CONSTRUCTION AND WELDING OF REINFORCING BARS	X	---	---
81. PRE-CAST CONSTRUCTION AND WELDING OF REINFORCING BARS	X	---	---
82. PRE-CAST CONSTRUCTION AND WELDING OF REINFORCING BARS	X	---	---
83. PRE-CAST CONSTRUCTION AND WELDING OF REINFORCING BARS	X	---	---
84. PRE-CAST CONSTRUCTION AND WELDING OF REINFORCING BARS	X	---	---
85. PRE-CAST CONSTRUCTION AND WELDING OF REINFORCING BARS	X	---	---
86. PRE-CAST CONSTRUCTION AND WELDING OF REINFORCING BARS	X	---	---
87. PRE-CAST CONSTRUCTION AND WELDING OF REINFORCING BARS	X	---	---
88. PRE-CAST CONSTRUCTION AND WELDING OF REINFORCING BARS	X	---	---
89. PRE-CAST CONSTRUCTION AND WELDING OF REINFORCING BARS	X	---	---
90. PRE-CAST CONSTRUCTION AND WELDING OF REINFORCING BARS	X	---	---
91. PRE-CAST CONSTRUCTION AND WELDING OF REINFORCING BARS	X	---	---
92. PRE-CAST CONSTRUCTION AND WELDING OF REINFORCING BARS	X	---	---
93. PRE-CAST CONSTRUCTION AND WELDING OF REINFORCING BARS	X	---	---
94. PRE-CAST CONSTRUCTION AND WELDING OF REINFORCING BARS	X	---	---
95. PRE-CAST CONSTRUCTION AND WELDING OF REINFORCING BARS	X	---	---
96. PRE-CAST CONSTRUCTION AND WELDING OF REINFORCING BARS	X	---	---
97. PRE-CAST CONSTRUCTION AND WELDING OF REINFORCING BARS	X	---	---
98. PRE-CAST CONSTRUCTION AND WELDING OF REINFORCING BARS	X	---	---
99. PRE-CAST CONSTRUCTION AND WELDING OF REINFORCING BARS	X	---	---
100. PRE-CAST CONSTRUCTION AND WELDING OF REINFORCING BARS	X	---	---

**SPECIAL INSPECTION**

1. ONE OR MORE SPECIAL INSPECTORS EMPLOYED BY THE CONTRACTOR, ARE REQUIRED TO PROVIDE INSPECTIONS DURING CONSTRUCTION ON THE TYPES OF WORK LISTED UNDER SECTION 1704 OF THE IFC 2015 AND THE TABLE ON THIS SHEET.

2. SPECIAL INSPECTORS SHALL BE A QUALIFIED PERSONS WHO SHALL MAINTAIN COMPETENCY TO THE SATISFACTION OF THE BUILDING OFFICIAL, FOR INSPECTION OF THE PARTICULAR TYPE OF CONSTRUCTION OR OPERATION REQUIRING SPECIAL INSPECTION.

3. SPECIAL INSPECTORS SHALL KEEP RECORDS OF INSPECTIONS AND FURNISH THOSE TO THE BUILDING OFFICIAL AND ENGINEER OF RECORD.

4. REPORTS SHALL INDICATE IF WORK INSPECTED WAS DONE IN CONFORMANCE TO APPLICABLE CONSTRUCTION DOCUMENTS, INSPECTIONS SHALL BE BROUGHT TO THE IMMEDIATE ATTENTION OF THE CONTRACTOR FOR CORRECTION, IF THE DISCREPANCIES ARE NOT CORRECTED, THEY SHALL BE BROUGHT TO THE ATTENTION OF THE BUILDING OFFICIAL AND ENGINEER OF RECORD.

5. A FINAL REPORT DOCUMENTING REQUIRED SPECIAL INSPECTIONS AND CORRECTION OF ANY DEFICIENCIES NOTED IN THE INSPECTIONS SHALL BE SUBMITTED AT A POINT IN THE AGREED UPON BY THE REPAIR CONTRACTOR AND THE BUILDING OFFICIAL PRIOR TO THE START OF WORK.

6. SPECIAL INSPECTORS ARE NOT REQUIRED WHERE THE WORK IS DONE ON THE PREMISES OF A FABRICATOR REGISTERED AND APPROVED TO PERFORM SUCH WORK WITHOUT SPECIAL INSPECTION APPROVAL. SPECIAL INSPECTIONS SHALL BE BASED UPON REVIEW OF THE FABRICATOR'S WRITTEN PROCEDURAL AND QUALITY CONTROL MANUALS AND PERIODIC AUDITS OF FABRICATOR PRACTICES BY AN APPROVED SPECIAL INSPECTOR. SPECIAL INSPECTIONS OF FABRICATOR, THE FABRICATOR SHALL SUBMIT A CERTIFICATE OF COMPLIANCE TO THE BUILDING OFFICIAL STATING THAT THE WORK WAS PERFORMED IN ACCORDANCE WITH THE APPROVED CONSTRUCTION DOCUMENTS.

7. THIS STRUCTURE IS IN TEXAS JURISDICTION AND IS LOCATED IN SEWARD ZONE. ALL PHASES OF CONSTRUCTION MUST BE INSPECTED BY A TDJ-SPRINTED INSPECTOR. SPECIAL INSPECTORS SHALL SUBMIT TO PROJECT EVALUATION FOR ALL EXTERIOR COMPONENTS AND CLOSINGS (E.G. FOR ENGINEERS APPROVAL AND TO THE TDJ INSPECTOR FOR THEIR REVIEW PRIOR TO START OF CONSTRUCTION OF ANY FINISHING, COMPONENTS AND CLOSINGS INCLUDES BUT IS NOT LIMITED TO WINDOWS, EXTERIOR DOORS AND DOOR HARDWARE, WALL SHEATHING, BRICK TIES, ROOFING/WATERPROOFING MEMBRANE AND METAL ROOF DECK.

REQUIRED INSPECTIONS WILL BE COMBINED WHEN MULTIPLE EVENTS ARE READY FOR INSPECTION AT THE SAME TIME. ALL ITEMS THAT REQUIRE INSPECTION MUST BE APPROVED PRIOR TO GOVERNMENT.

INSPECTIONS REQUIRED FOR MUD 12 GENERATOR PLANT:


A. PRE-FOR INSPECTION OF FOUNDATION PERMITS, VERIFY DEPTH AND REINFORCING

B. PRE-FOR INSPECTION OF CONCRETE COLUMNS

C. STEEL FRAMING INSPECTION INCLUDING STAIRS AND METAL GRATE

D. HOLD DOWNS FOR ANY EXTERIOR MECHANICAL EQUIPMENT

NOTE THIS DRAWING WAS CREATED BY DEPT. OF CONSTRUCTION ON 12/24/2023 SHEET FILE: DOWN, S: THE PRINTS



**HZ HUITT ZOLLARS**

10510 Riverwood Village, Suite 300  
Houston, TX 77054-7418  
281.996.0097  
www.hzhs.com

**SPECIAL INSPECTIONS**

GALVESTON COUNTY  
MUD 12 GENERATOR

Project number: R24818401  
Date: 11/20/2023  
Drawn by: CW  
Checked by: CW

S1


No. 1

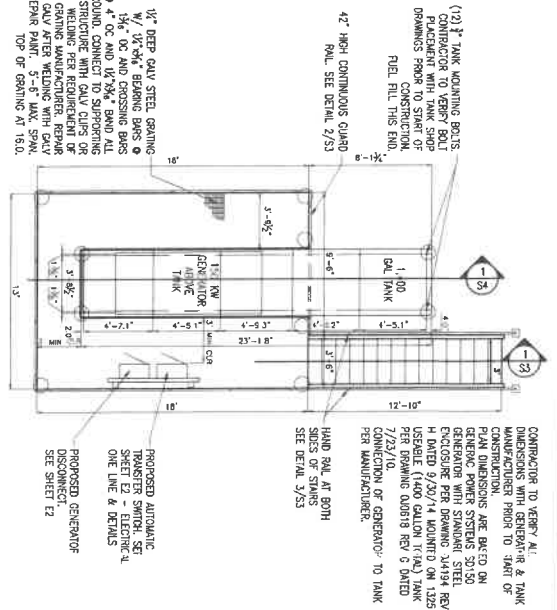
Date: 11/20/23

Inspector: [Signature]

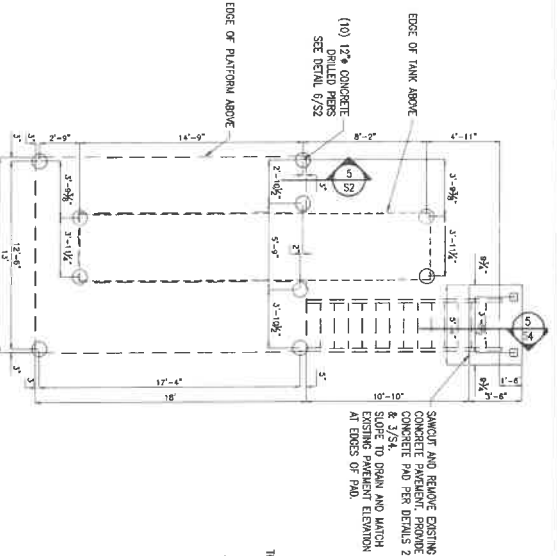
Inspector License No. 11170

11/20/2023

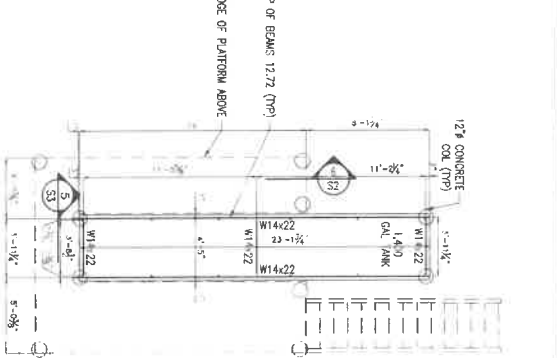




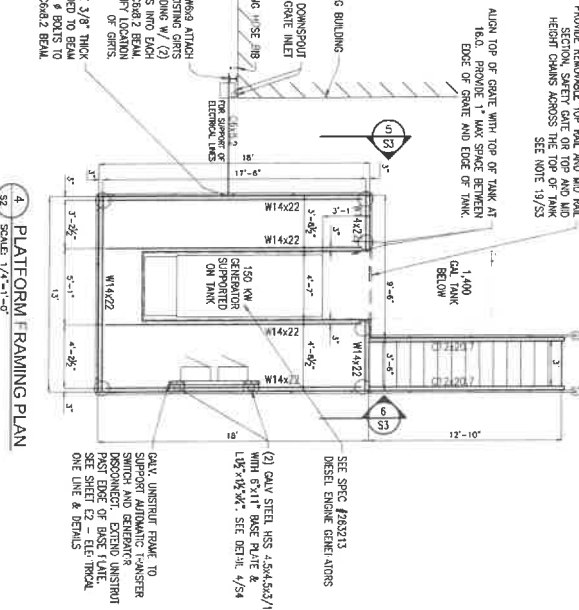
1 PLATFORM DIMENSION PLAN  
S2 SCALE: 1/4"=1'-0"



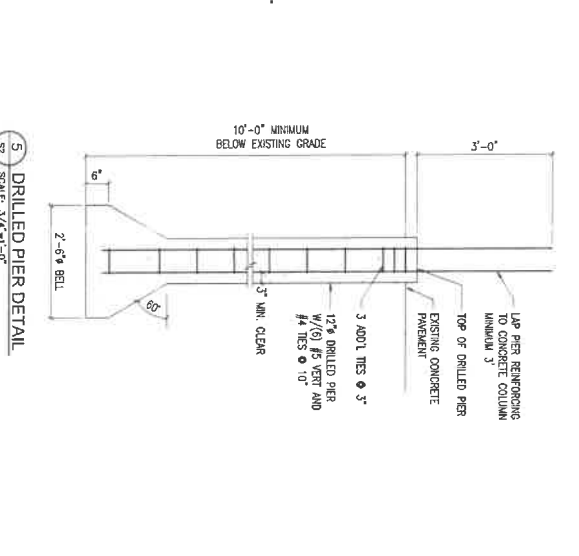
2 PLATFORM FOUNDATION PLAN  
S2 SCALE: 1/4"=1'-0"



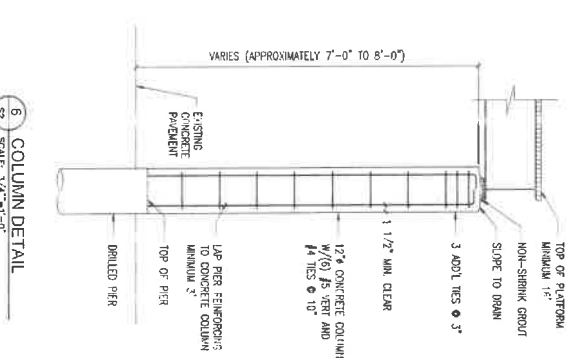
3 TANK FRAMING PLAN  
S2 SCALE: 1/4"=1'-0"



4 PLATFORM FRAMING PLAN  
S2 SCALE: 1/4"=1'-0"




5 DRILLED PIER DETAIL  
S2 SCALE: 3/4"=1'-0"



6 COLUMN DETAIL  
S2 SCALE: 3/4"=1'-0"

NOTE: THIS DRAWING WAS CREATED IN ORCAD/PRODOT/IN ON 22/11/23 SHEET SIZE: COMLOT 34.1 PRINTS



**HZ HUITT ZOLLARS**  
10350 Rainbow Avenue, Suite 100  
Houston, Texas 77024-4266  
281.466.0055  
www.hz-hz.com

**STRUCTURAL PLANS & DETAILS**

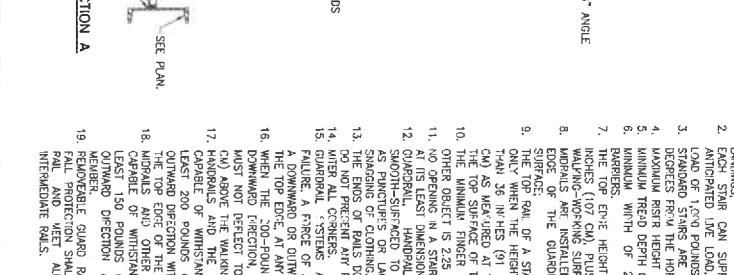
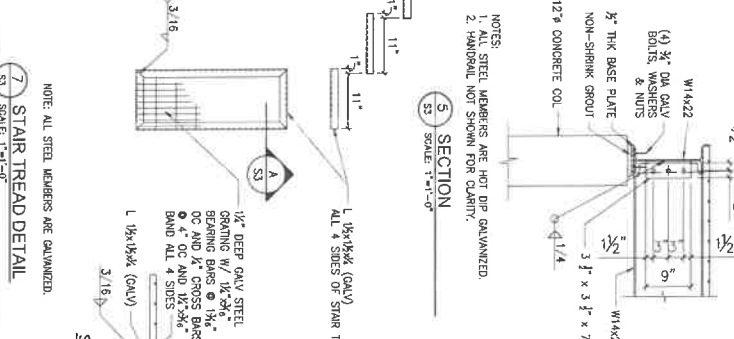
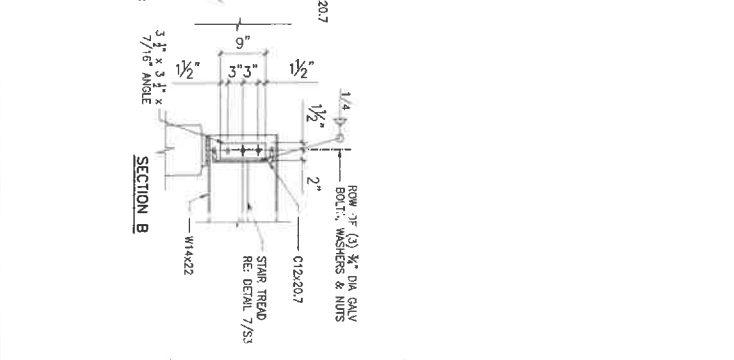
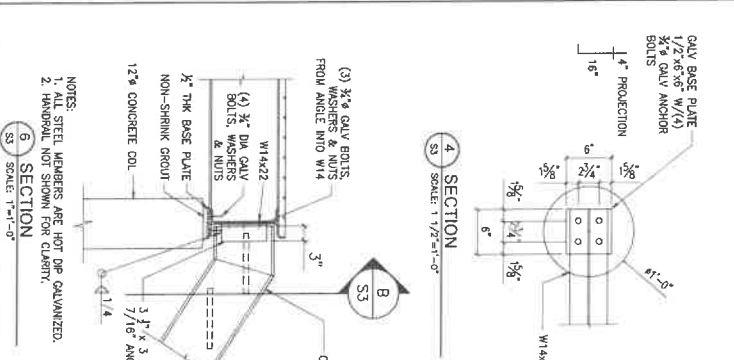
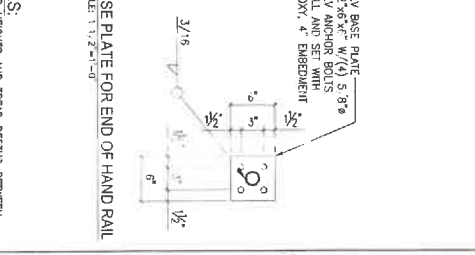
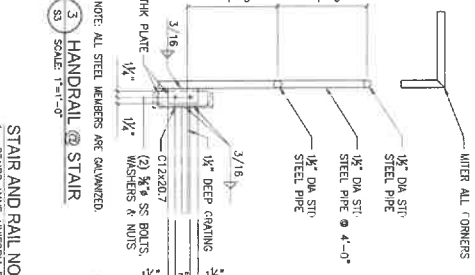
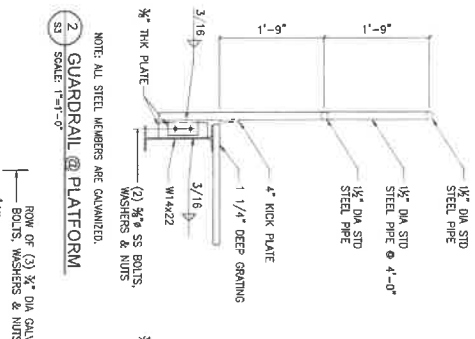
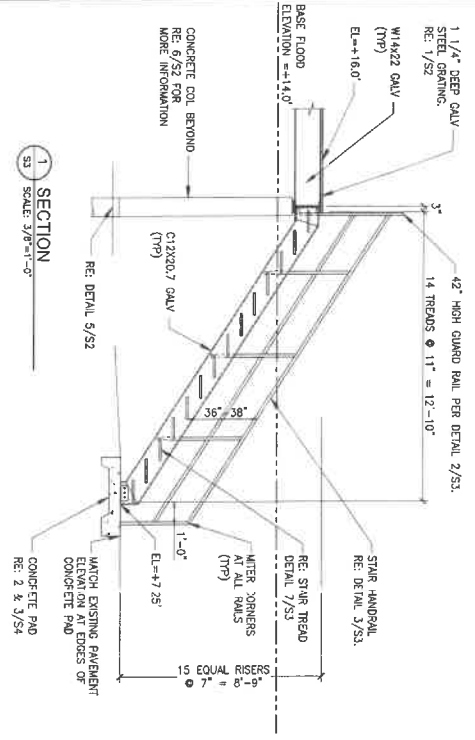
GALVESTON COUNTY  
MUD 12 GENERATOR

No. 1 (Sheet of 1)

Date: 11/20/2023

11/20/2023

1:1202023



- STAIR AND RAIL NOTES:**
1. STAIRS HAVE UNDERPIN RISER HEIGHTS AND TREAD DEPTHS BETWEEN 1.00 TO 1.05 FEET.
  2. LAMINOS CAN SUPPORT AT LEAST ONE TIMES THE NORMAL LOAD OF 1,000 POUNDS (454 KG) APPLIED AT ANY POINT.
  3. STAIR TREADS ARE INSTALLED AT ANGLES BETWEEN 30 TO 50 DEGREES FROM THE HORIZONTAL.
  4. MAXIMUM RISER HEIGHT OF 11 INCHES (28 CM); AND MINIMUM TREAD DEPTH OF 11 INCHES (28 CM) BETWEEN VERTICAL BARRIERS WITH 0' TO 22 INCHES (56 CM) BETWEEN THE TOP EDGE HEIGHT OF GUARDRAIL SYSTEM MEMBERS ARE 42 INCHES (107 CM), PLUS OR MINUS 3 INCHES (8 CM), ABOVE THE WALKING-WORKING SURFACE. A HEIGHT HUMPY BETWEEN THE TOP EDGE OF THE GUARDRAIL SYSTEM AND THE WALKING-WORKING SURFACE.
  5. THE TOP RAIL OF A STAIR RAIL SYSTEM MAY SERVE AS A HANDRAIL ONLY WHEN THE HEIGHT OF THE STAIR RAIL SYSTEM IS NOT LESS THAN 42 INCHES (107 CM) AND THE SYSTEM IS INSTALLED TO THE TOP SURFACE OF THE TOP RAIL.
  6. THE MINIMUM FRINGER CLEARANCE BETWEEN HANDRAILS AND ANY OTHER OBJECT IS 2.25 INCHES (57 CM).
  7. NO OPENING IN A STAIR RAIL SYSTEM EXCEEDS 19 INCHES (48 CM).
  8. GUARDRAIL HANDRAIL AND STAIR RAIL SYSTEMS ARE SMOOTH-SURFACED TO PROTECT EMPLOYEES FROM HAZARD, SUCH AS PUNCTURES OR LACERATIONS, AND TO PREVENT CATCHING OR snagging of clothing.
  9. GUARDRAIL SYSTEMS ARE CONSTRUCTED OF WITHSTANDING, WITHOUT FAILURE, A FORCE OF AT LEAST 200 POUNDS (90 N) APPLIED IN THE TOP EDGE, AT ANY POINT ALONG THE TOP RAIL.
  10. WHEN THE 200-POUND (90-N) TEST LOAD IS APPLIED IN A DOWNWARD DIRECTION, THE TOP RAIL OF THE GUARDRAIL SYSTEM MUST NOT DEFLECT TO A HEIGHT OF LESS THAN 31 INCHES (79 CM) ABOVE THE WALKING-WORKING SURFACE.
  11. GUARDRAIL SYSTEMS ARE CONSTRUCTED OF WITHSTANDING, WITHOUT FAILURE, A FORCE OF AT LEAST 200 POUNDS (90 N) APPLIED IN ANY DOWNWARD OR OUTWARD DIRECTION WITH 2 INCHES (5 CM) OF ANY POINT ALONG THE TOP EDGE OF THE RAIL.
  12. MEMBERS AND OTHER EQUIVALENT INTERMEDIATE MEMBERS ARE AT LEAST 150 POUNDS (67 N) APPLIED IN ANY DOWNWARD OR OUTWARD DIRECTION AT ANY POINT ALONG THE INTERMEDIATE MEMBER.
  13. REMOVABLE GUARD RAILS, GATES OR SAFETY CHAINS USED FOR FALL PROTECTION SHALL BE CAPABLE OF WITHSTANDING THE LOAD REQUIREMENTS FOR TOP AND INTERMEDIATE RAILS.

- NOTES:**
1. ALL STEEL MEMBERS ARE HOT DIP GALVANIZED.
  2. HANDRAIL NOT SHOWN FOR CLARITY.
- SECTION 1**  
SCALE: 1"=1'-0"
- SECTION 2**  
SCALE: 1"=1'-0"
- SECTION 3**  
SCALE: 1"=1'-0"
- SECTION 4**  
SCALE: 1"=1'-0"
- SECTION 5**  
SCALE: 1"=1'-0"
- SECTION 6**  
SCALE: 1"=1'-0"
- SECTION 7**  
SCALE: 1"=1'-0"

**11/16/2023**

1035 Westwood Avenue, Suite 709  
Murfreesboro, TN 37132  
281.753.9300  
www.hz-zollars.com

**HUITT  
HZ ZOLLARS**

**PROJECT INFORMATION**

Project Name: R000000101

Client: GAVELSTON COUNTY

Contract No: 11-20-2023

CD

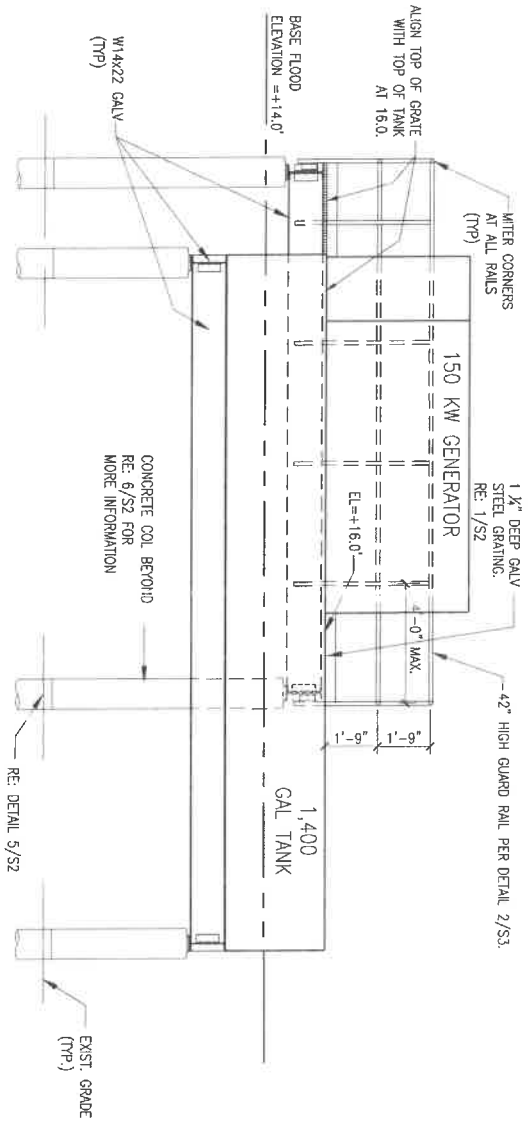
CS

**S3**

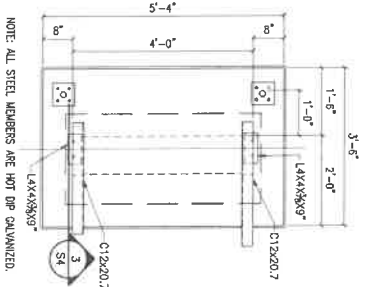
**STRUCTURAL DETAILS**

GAVELSTON COUNTY  
MUD 12 GENERATOR

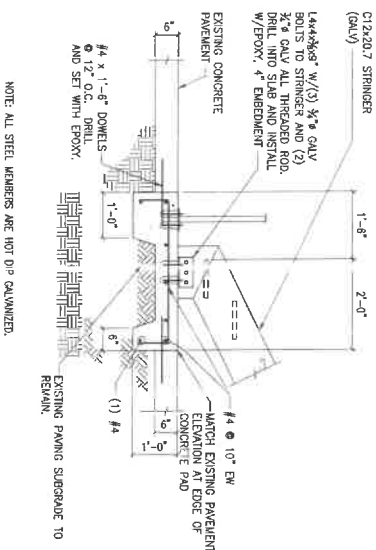




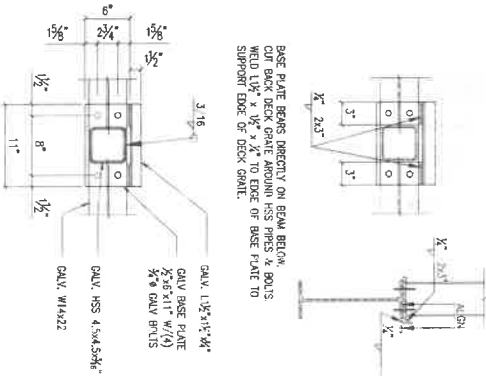
1 PLATFORM SECTION  
SCALE: 1/2"=1'-0"



2 STAIR CONCRETE PAD  
SCALE: 3/4"=1'-0"



3 SECTION  
SCALE: 3/4"=1'-0"



4 BASE PLATE FOR ELECTRICAL RACK  
SCALE: 3/4"=1'-0"

NOTE: THIS DRAWING WAS CREATED FOR PRODUCTION ON 22"x34" SHEET SIZE. DO NOT SCALE PRINTS.



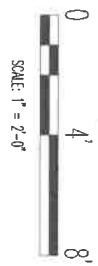
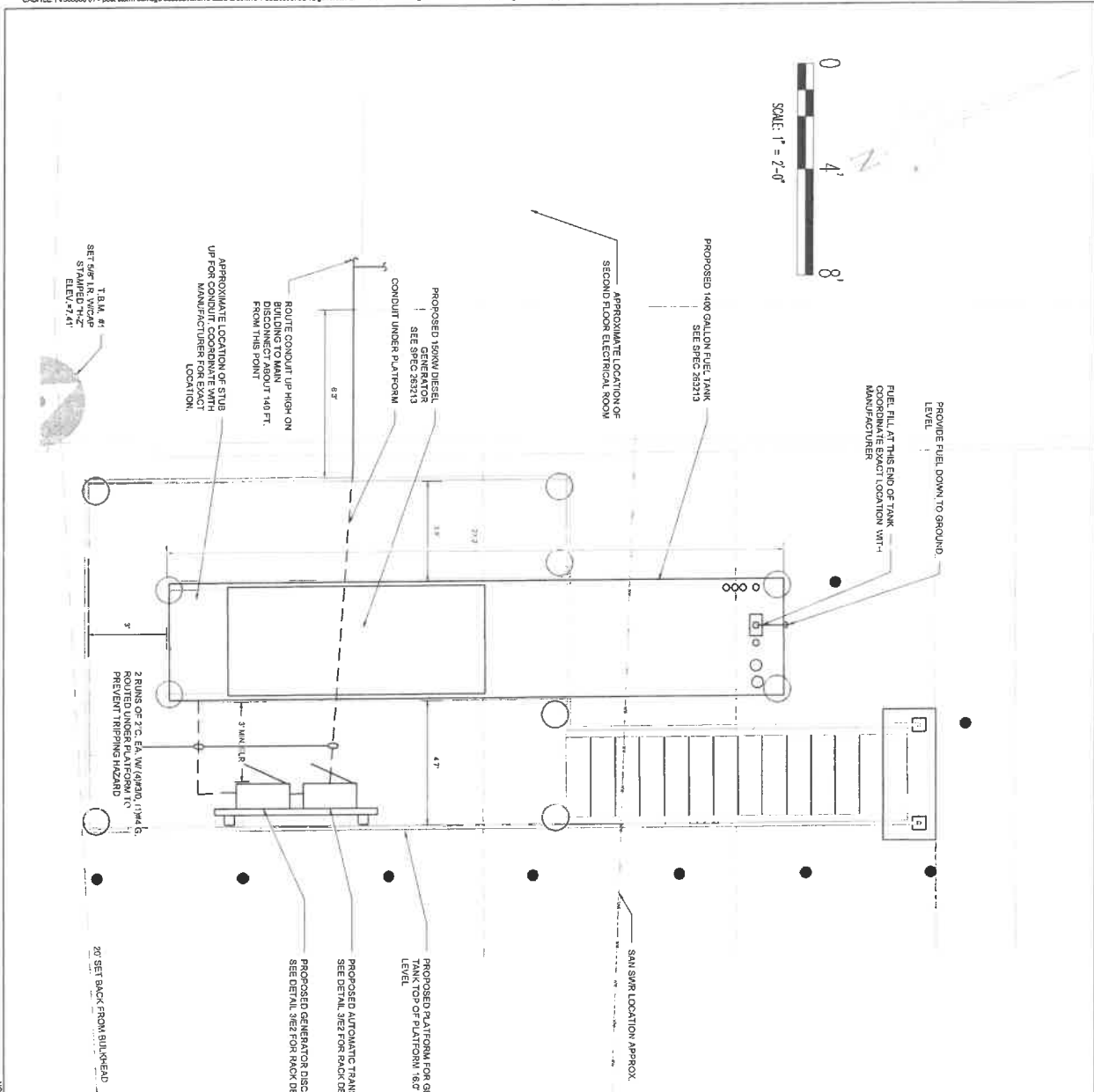
**HZ HUITT**  
**ZOLLARS**  
10350 Redwood - Austin, TX 78739  
Houston, Texas 77024-2518  
281.566.0066  
www.hzhl.com 1.007

11/20/23  
11/20/23  
No. 1  
Calculation  
1:12/20/23

STRUCTURAL DETAILS  
GALVESTON COUNTY  
MUD 12 GENERATOR

Project number: P305546-01  
Date: 11/20/2023  
Drawn by: CJS  
Checked by: GW  
Scale: S4





**ELECTRICAL GENERAL NOTES:**

- ANNUNCIATION PANEL LOCATED IN ELECTRICAL ROOM ON 2ND FLOOR.
- PROVIDE CONVENIENCE RECEPTACLE AND LIGHT NEARBY OF GENERATOR BUILT ABOVE FROM EXISTING PANEL #2.

**ELECTRICAL PLAN SHEET SYMBOLS**

SYMBOL	DESCRIPTION
(Solid line)	CONDUIT
(Dashed line)	CONDUIT UNDER PLATFORM
(Line with circles)	HOLE RUN TO PANEL OR MISC. AS NOTED
(Square with 'ATS')	ATS
(Square with 'G')	GENERATOR DISCONNECT

**CONDUIT SYSTEM NOTES**

- WIRING FOR LIGHTING RECEPT. 2 E.C. AND OTHER MISCELLANEOUS CIRCUITS SHALL CONFORM TO THE CIRCUITING INDENTIFIED ON THE DRAWINGS WITH ARRANGEMENT AND CONDUIT SIZES SHALL BE AS NOTED. ALL CIRCUITS CARRYING CONDUCTORS SHALL BE INSTALLED PER CONDUIT AND CIRCUITS OF SEPARATE PACKS SHALL BE INSTALLED IN SEPARATE PACKS.

**ELECTRICAL ABBREVIATIONS**

ABBR.	DESCRIPTION
ATS	AUTOMATIC TRANSFER SWITCH
G	GROUND
MIS	MANUAL TRANSFER SWITCH

NOTE THIS DRAWING WAS CREATED FROM PRODUCTION OF 27" W/ SHEET FILE: CONN: S: E: E: P: 17/3



**HZ HUITT ZOLLARS**  
 10350 Redwood Street, Suite 300  
 Houston, Texas 77042-2215  
 281.669.0097  
 www.hz-zollars.com



No.	DATE	BY	CHK'D
1	ISSUE FOR BIF	BR	11/20/23

GALVESTON COUNTY  
 MUD 12 GENERATOR  
 ELECTRICAL SITE  
 PLAN

Project number: R30385 01  
 Date: 11-20-2023  
 Drawn by: CO  
 Checked by: DVI  
**E1**

Scale: 1" = 2'-0"

**240/120V, 3 PHASE, 4 WIRE** 400 AMP MGS

LOAD ANALYSIS

2 PHASES OF 480 VOLT (1) 240 V, 208V

PHASE	1	2	3	4	5	6	7	8	9	10	11	12
WATT	27,000	11,700	11,700	220	220	220	220	220	220	220	220	220
VAR	11,700	5,000	5,000	100	100	100	100	100	100	100	100	100
AMPS	117	49	49	1	1	1	1	1	1	1	1	1
PF	0.93	0.93	0.93	0.93	0.93	0.93	0.93	0.93	0.93	0.93	0.93	0.93
TOTAL CONNECTED KVA	33.3	13.3	13.3	0.2	0.2	0.2	0.2	0.2	0.2	0.2	0.2	0.2
ESTIMATED DEMAND AMPS	119	49	49	1	1	1	1	1	1	1	1	1

**PANEL #11** EXISTING PANEL, FIRST FLOOR

LOAD ANALYSIS

LOAD	WATT	VAR	AMPS	PF	WATT	VAR	AMPS	PF
EXISTING LOAD	1000	500	1.5	0.93	1000	500	1.5	0.93
NEW LOAD	1000	500	1.5	0.93	1000	500	1.5	0.93
TOTAL	2000	1000	3.0	0.93	2000	1000	3.0	0.93

**PANEL #12** EXISTING PANEL, 1ST FLOOR

LOAD ANALYSIS

LOAD	WATT	VAR	AMPS	PF	WATT	VAR	AMPS	PF
EXISTING LOAD	1000	500	1.5	0.93	1000	500	1.5	0.93
NEW LOAD	1000	500	1.5	0.93	1000	500	1.5	0.93
TOTAL	2000	1000	3.0	0.93	2000	1000	3.0	0.93

**PANEL #13** EXISTING PANEL, SECOND FLOOR

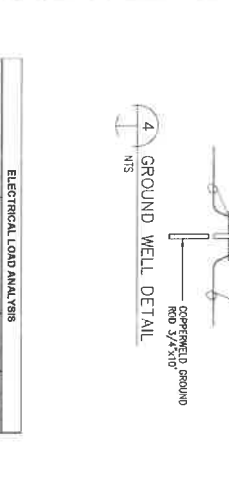
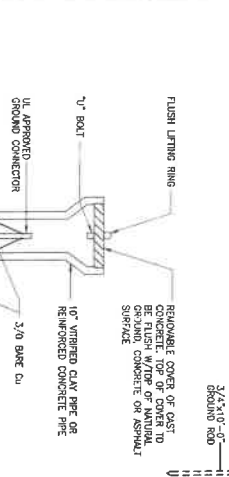
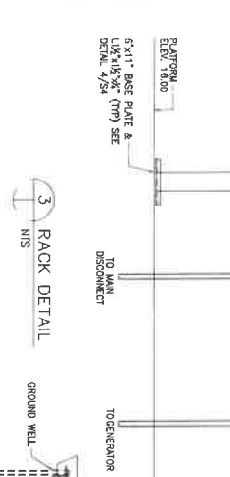
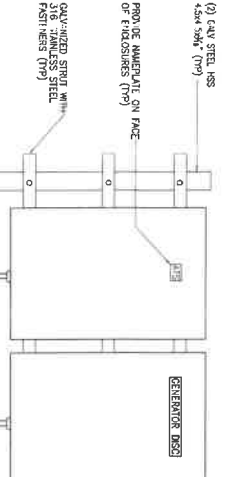
LOAD ANALYSIS

LOAD	WATT	VAR	AMPS	PF	WATT	VAR	AMPS	PF
EXISTING LOAD	1000	500	1.5	0.93	1000	500	1.5	0.93
NEW LOAD	1000	500	1.5	0.93	1000	500	1.5	0.93
TOTAL	2000	1000	3.0	0.93	2000	1000	3.0	0.93

**PANEL #14** EXISTING PANEL, SECOND FLOOR

LOAD ANALYSIS

LOAD	WATT	VAR	AMPS	PF	WATT	VAR	AMPS	PF
EXISTING LOAD	1000	500	1.5	0.93	1000	500	1.5	0.93
NEW LOAD	1000	500	1.5	0.93	1000	500	1.5	0.93
TOTAL	2000	1000	3.0	0.93	2000	1000	3.0	0.93



**ELECTRICAL LOAD ANALYSIS**

LOAD DESCRIPTION	KVA CONNECTED	DEMAND FACTOR	LOAD (KVA)
CONNECTED	0.0	100%	0.0
RECEIVER (SEE PLAN 28/34)	0.0	100%	0.0
MOTORS	0.0	100%	0.0
OTHER	0.0	100%	0.0
240V LARGEST MOTOR	5	25%	1.3
EXISTING DEMAND LOAD	133	125%	166.3
TOTAL LOAD	0.0	0.0	166.3

**CONDUIT AND WIRE SCHEDULE**

SYMBOL	DESCRIPTION
1	2 MGS OF 2" W/ (3) 1/2" (1) 1/2" c.
2	2" W/ (3) 1/2" (1) 1/2" c.
3	1" W/ (3) 1/2" (1) 1/2" c.

**ELECTRICAL LOAD ANALYSIS**

LOAD DESCRIPTION	KVA CONNECTED	DEMAND FACTOR	LOAD (KVA)
CONNECTED	0.0	100%	0.0
RECEIVER (SEE PLAN 28/34)	0.0	100%	0.0
MOTORS	0.0	100%	0.0
OTHER	0.0	100%	0.0
240V LARGEST MOTOR	5	25%	1.3
EXISTING DEMAND LOAD	133	125%	166.3
TOTAL LOAD	0.0	0.0	166.3

**HZ ZOLLARS**

10350 Ridge Road, Suite 300  
Houston, TX 77042-2115  
281.488.0065  
www.hzzollars.com

**STATE OF TEXAS**  
NOTARY PUBLIC  
CARLOS TOMER III  
141820  
11/20/23

**PROJECT INFORMATION**

Project Number: 83268831  
Date: 11/20/2023  
Drawn by: CD  
Checked by: DW

**E2**

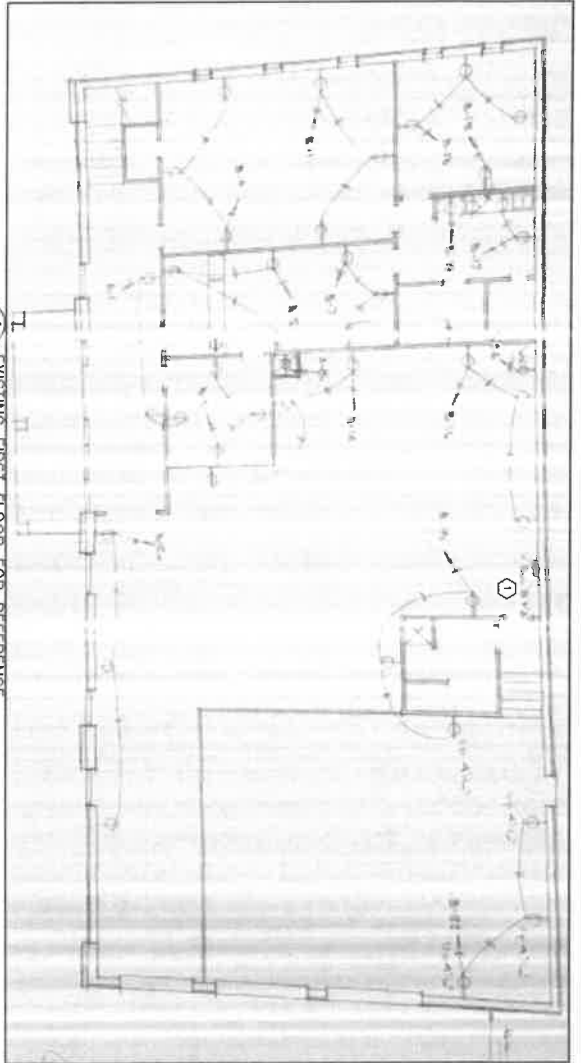
**REVISIONS**

No.	Description	Date
1	ISSUE FOR BIC	11/20/23

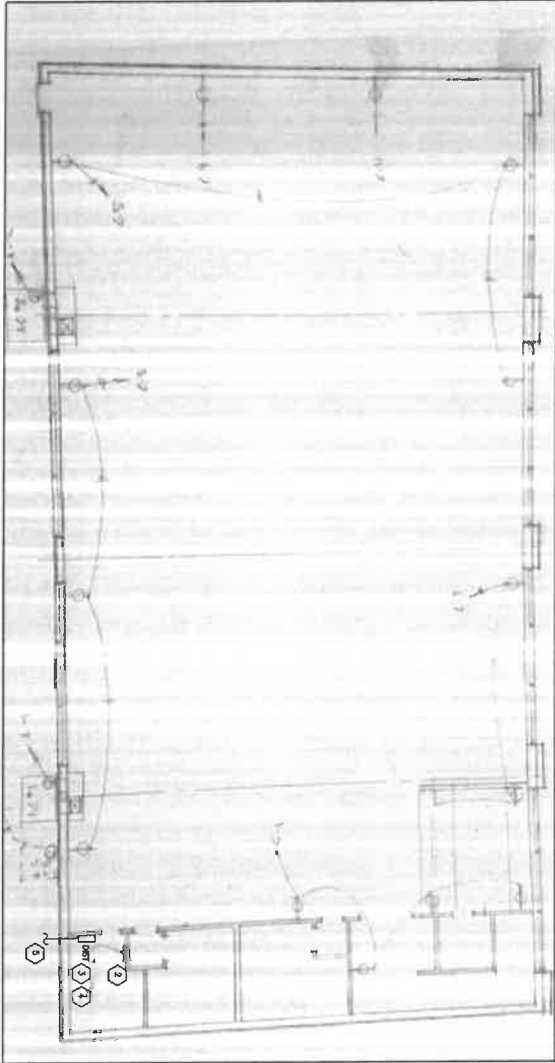
**GALVESTON COUNTY**  
**MUD 12 GENERATOR**

**ELECTRICAL ONE LINE AND DETAILS**

Scale



1 EXISTING FIRST FLOOR FOR REFERENCE  
E-3 SCALE: 1/8"=1'-0" (APPROXIMATE. CONTRACTOR TO FIELD VERIFY)



2 EXISTING SECOND FLOOR FOR REFERENCE  
E-3 SCALE: 1/8"=1'-0" (APPROXIMATE. CONTRACTOR TO FIELD VERIFY)

SYMBOL	DESCRIPTION
1	EXISTING PANEL #1 & #2 LOCATIONS LOCATIONS TO FIELD VERIFY EXISTING
2	EXISTING PANEL #3 LOCATIONS TO FIELD VERIFY EXISTING LOCATIONS
3	NEW 400A PANEL, 200"
4	CONTRACTOR TO REMOVE CONDUIT BELOW PANEL REPLACE AS SHOWN
5	ROUTE 2 SETS OF (3) #12, (1) #10, (1) #8, (1) #6 PANELS TO LOCATIONS AS SHOWN

NOTE THIS DRAWING WAS CREATED FROM PRODUCTION SET. SEE SHEET ELEC-D001X-03 FOR ALL PRINTS.



**HZ HUITT  
ZOLLARS**  
16369 Robert Rd • Suite 300  
Houston, TX 77057-0418  
281.482.0067  
www.hzzollars.com



11/2023

No.	Description	Date
1	ISSUE FOR SET	11/20/23

GALVESTON COUNTY MUD 12 GENERATOR ELECTRICAL EXISTING REFERENCE FLOOR PLANS	
Project number:	R0000001
Date:	11/20/2023
Drawn by:	CO
Checked by:	GW
Scale:	E3

"General Decision Number: TX20230062 01/27/2023

Superseded General Decision Number: TX20220062

State: Texas

Construction Type: Heavy

County: Galveston County in Texas.

HEAVY CONSTRUCTION PROJECTS Including Water and Sewer Lines  
(Does Not Include Flood Control)

Note: Contracts subject to the Davis-Bacon Act are generally required to pay at least the applicable minimum wage rate required under Executive Order 14026 or Executive Order 13658. Please note that these Executive Orders apply to covered contracts entered into by the federal government that are subject to the Davis-Bacon Act itself, but do not apply to contracts subject only to the Davis-Bacon Related Acts, including those set forth at 29 CFR 5.1(a)(2)-(60).

If the contract is entered into on or after January 30, 2022, or the contract is renewed or extended (e.g., an option is exercised) on or after January 30, 2022:	<ul style="list-style-type: none"> <li>. Executive Order 14026 generally applies to the contract.</li> <li>. The contractor must pay all covered workers at least \$16.20 per hour (or the applicable wage rate listed on this wage determination, if it is higher) for all hours spent performing on the contract in 2023.</li> </ul>
If the contract was awarded on or between January 1, 2015 and January 29, 2022, and the contract is not renewed or extended on or after January 30, 2022:	<ul style="list-style-type: none"> <li>. Executive Order 13658 generally applies to the contract.</li> <li>. The contractor must pay all covered workers at least \$12.15 per hour (or the applicable wage rate listed on this wage determination, if it is higher) for all hours spent performing on that contract in 2023.</li> </ul>

The applicable Executive Order minimum wage rate will be adjusted annually. If this contract is covered by one of the Executive Orders and a classification considered necessary for performance of work on the contract does not appear on this wage determination, the contractor must still submit a conformance request.

Additional information on contractor requirements and worker protections under the Executive Orders is available at <http://www.dol.gov/whd/govcontracts>.

Modification Number	Publication Date
0	01/06/2023
1	01/27/2023

\* SFTX0669-001 01/01/2023

	Rates	Fringes
SPRINKLER FITTER (Fire Sprinklers).....	\$ 33.11	23.30

\* SUTX2005-021 08/05/2005

HEAVY Including Water and Sewer Lines (Excluding Flood Control)

	Rates	Fringes
Carpenter.....	\$ 14.38 **	
Cement mason/concrete finisher.....	\$ 11.37 **	1.13
Electrician.....	\$ 18.40	1.34
FORM BUILDER/FORM SETTER.....	\$ 13.35 **	1.17
IRONWORKER, REINFORCING.....	\$ 11.29 **	
Laborers:		
Common.....	\$ 10.70 **	
Landscape.....	\$ 7.35 **	
Mason Tender Cement.....	\$ 9.96 **	
Pipelayer.....	\$ 10.07 **	
PIPEFITTER.....	\$ 17.00	0.04
Power equipment operators:		
Excavator.....	\$ 16.74	
Backhoe.....	\$ 13.25 **	
Bulldozer.....	\$ 14.00 **	
Crane.....	\$ 14.91 **	0.58
Front End Loader.....	\$ 11.75 **	0.92
Grader.....	\$ 12.20 **	1.48
Tractor.....	\$ 12.38 **	1.51
TRUCK DRIVER.....	\$ 12.28 **	0.98

WELDERS - Receive rate prescribed for craft performing operation to which welding is incidental.

=====  
 \*\* Workers in this classification may be entitled to a higher minimum wage under Executive Order 14026 (\$16.20) or 13658 (\$12.15). Please see the Note at the top of the wage determination for more information.

Note: Executive Order (EO) 13706, Establishing Paid Sick Leave for Federal Contractors applies to all contracts subject to the Davis-Bacon Act for which the contract is awarded (and any solicitation was issued) on or after January 1, 2017. If this contract is covered by the EO, the contractor must provide employees with 1 hour of paid sick leave for every 30 hours they work, up to 56 hours of paid sick leave each year. Employees must be permitted to use paid sick leave for their own illness, injury or other health-related needs, including preventive care; to assist a family member (or person who is

like family to the employee) who is ill, injured, or has other health-related needs, including preventive care; or for reasons resulting from, or to assist a family member (or person who is like family to the employee) who is a victim of, domestic violence, sexual assault, or stalking. Additional information on contractor requirements and worker protections under the EO is available at <https://www.dol.gov/agencies/whd/government-contracts>.

Unlisted classifications needed for work not included within the scope of the classifications listed may be added after award only as provided in the labor standards contract clauses (29CFR 5.5 (a) (1) (ii)).

-----

The body of each wage determination lists the classification and wage rates that have been found to be prevailing for the cited type(s) of construction in the area covered by the wage determination. The classifications are listed in alphabetical order of ""identifiers"" that indicate whether the particular rate is a union rate (current union negotiated rate for local), a survey rate (weighted average rate) or a union average rate (weighted union average rate).

#### Union Rate Identifiers

A four letter classification abbreviation identifier enclosed in dotted lines beginning with characters other than ""SU"" or ""UAVG"" denotes that the union classification and rate were prevailing for that classification in the survey. Example: PLUM0198-005 07/01/2014. PLUM is an abbreviation identifier of the union which prevailed in the survey for this classification, which in this example would be Plumbers. 0198 indicates the local union number or district council number where applicable, i.e., Plumbers Local 0198. The next number, 005 in the example, is an internal number used in processing the wage determination. 07/01/2014 is the effective date of the most current negotiated rate, which in this example is July 1, 2014.

Union prevailing wage rates are updated to reflect all rate changes in the collective bargaining agreement (CBA) governing this classification and rate.

#### Survey Rate Identifiers

Classifications listed under the ""SU"" identifier indicate that no one rate prevailed for this classification in the survey and the published rate is derived by computing a weighted average rate based on all the rates reported in the survey for that classification. As this weighted average rate includes all rates reported in the survey, it may include both union and non-union rates. Example: SULA2012-007 5/13/2014. SU indicates the rates are survey rates based on a weighted average calculation of rates and are not majority rates. LA indicates the State of Louisiana. 2012 is the year of survey on which these classifications and rates are based. The next number, 007 in the example, is an internal number used in producing the wage determination. 5/13/2014 indicates the survey completion date for the classifications and rates under that identifier.

Survey wage rates are not updated and remain in effect until a



new survey is conducted.

Union Average Rate Identifiers

Classification(s) listed under the UAVG identifier indicate that no single majority rate prevailed for those classifications; however, 100% of the data reported for the classifications was union data. EXAMPLE: UAVG-OH-0010 08/29/2014. UAVG indicates that the rate is a weighted union average rate. OH indicates the state. The next number, 0010 in the example, is an internal number used in producing the wage determination. 08/29/2014 indicates the survey completion date for the classifications and rates under that identifier.

A UAVG rate will be updated once a year, usually in January of each year, to reflect a weighted average of the current negotiated/CBA rate of the union locals from which the rate is based.

-----

WAGE DETERMINATION APPEALS PROCESS

1.) Has there been an initial decision in the matter? This can be:

- \* an existing published wage determination
- \* a survey underlying a wage determination
- \* a Wage and Hour Division letter setting forth a position on a wage determination matter
- \* a conformance (additional classification and rate) ruling

On survey related matters, initial contact, including requests for summaries of surveys, should be with the Wage and Hour National Office because National Office has responsibility for the Davis-Bacon survey program. If the response from this initial contact is not satisfactory, then the process described in 2.) and 3.) should be followed.

With regard to any other matter not yet ripe for the formal process described here, initial contact should be with the Branch of Construction Wage Determinations. Write to:

Branch of Construction Wage Determinations  
 Wage and Hour Division  
 U.S. Department of Labor  
 200 Constitution Avenue, N.W.  
 Washington, DC 20210

2.) If the answer to the question in 1.) is yes, then an interested party (those affected by the action) can request review and reconsideration from the Wage and Hour Administrator (See 29 CFR Part 1.8 and 29 CFR Part 7). Write to:

Wage and Hour Administrator  
 U.S. Department of Labor  
 200 Constitution Avenue, N.W.  
 Washington, DC 20210

The request should be accompanied by a full statement of the interested party's position and by any information (wage payment data, project description, area practice material, etc.) that the requestor considers relevant to the issue.

3.) If the decision of the Administrator is not favorable, an interested party may appeal directly to the Administrative Review Board (formerly the Wage Appeals Board). Write to:

Administrative Review Board  
U.S. Department of Labor  
200 Constitution Avenue, N.W.  
Washington, DC 20210

4.) All decisions by the Administrative Review Board are final.

=====

END OF GENERAL DECISIO"