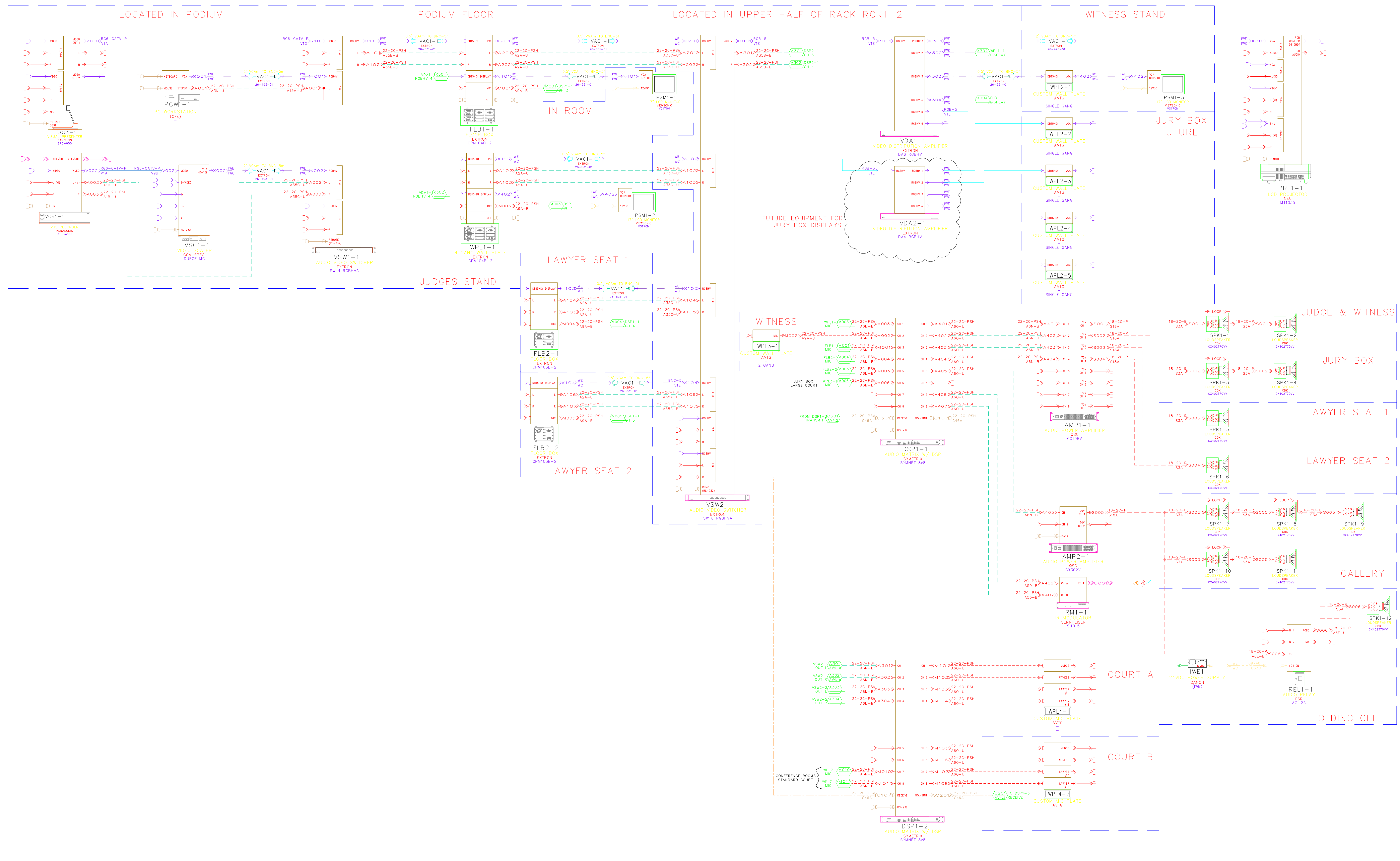


Cable Type			Cable Schedule					
CABLE NO.	MANUFACTURER	DESCRIPTION	WIRE NO.	SYMBOL	DESCRIPTION	START #	LAST # USED	WIRES # NOT USED
22-2C-P5H	LIBERTY	22 GAUGE 2 CONDUCTOR PLENUM SHIELDED	A000-A999	→	LINE LEVEL AUDIO	A001	A406	4-100, 108-200, 203-300, 305-400
22-2C-P5H	LIBERTY	22 GAUGE 2 CONDUCTOR PLENUM SHIELDED	M000-M999	→	MIC LEVEL AUDIO	M001	M104	6-100
RG-5	LIBERTY	26 GAUGE 5 CONDUCTOR 75 OHM TINNED COPPER	R000-R999	→	RGBS/ RGBHV/ RGB	R001	R001	-
18-2C-P	LIBERTY	18 GAUGE 2 CONDUCTOR PLENUM SHIELDED	S000-S999	→	SPEAKER LEVEL AUDIO	S001	S006	-
RG-6	LIBERTY	VIDEO CABLE	V000-V999	→	COMPOSITE VIDEO	V001	V002	-
			X000-X999	→	VGA	X001	X402	3-100, 105-200, 202-300, 305-400

AMX Dip Switch								
VALUE	1	2	3	4	5	6	7	8



AVTGS
TECHNOLOGIES GROUP, INC.
 4910 WRIGHT ROAD
 SUITE #100
 STAFFORD, TX. 77477
 PHONE: (281) 340-2100 or 1-800-522-3687
 FAX: (281) 240-2250
www.avtg.com

A/V System Designed & Engineered By:

pmk
CONSULTANTS
 ACUSTICS | AUDIO | VISUAL SYSTEMS
 1420 W. MOCKINGBIRD LN, SUITE 400
 DALLAS, TX. 76247
 PHONE: (800) 229-7444 FAX: (214) 951-7408

- PROPOSAL
- SKETCH
- CDR
- PDR
- FDR
- INTEGRATION
- AS BUILT
- REFERENCE
- PRELIMINARY
- NOT FOR CONSTRUCTION
- DRAFT
- OTHER:

Submittals

No.	Date	Description
1	01/04/05	Original Submittal

Revisions

No.	Date	Description
1	10/12/05	Final Revisions
2	10/31/05	JURY DISPLAY PLATES
3	02/01/06	CONTROL & DSP INPUTS

Notice:
 This drawing is the property of AVTG. Design information, drawings, details, and / or specification data may not be reproduced or duplicated. No work may be executed without written authorization of AVTG.
 © Copyright 2000, AVTG

Issue: DESIGN PHASE
 Project Name: GALVESTON COUNTY J.C.
 Project Number: -
 Engineered By: -
 Drawn By: ANDREW MASSEY
 Checked By: -
 Scale: AS NOTED
 File Location: G:\SYSTEMS\CADD\GALVESTON CO.
 Drawing Name: -

CLIENT:
 GALVESTON COUNTY

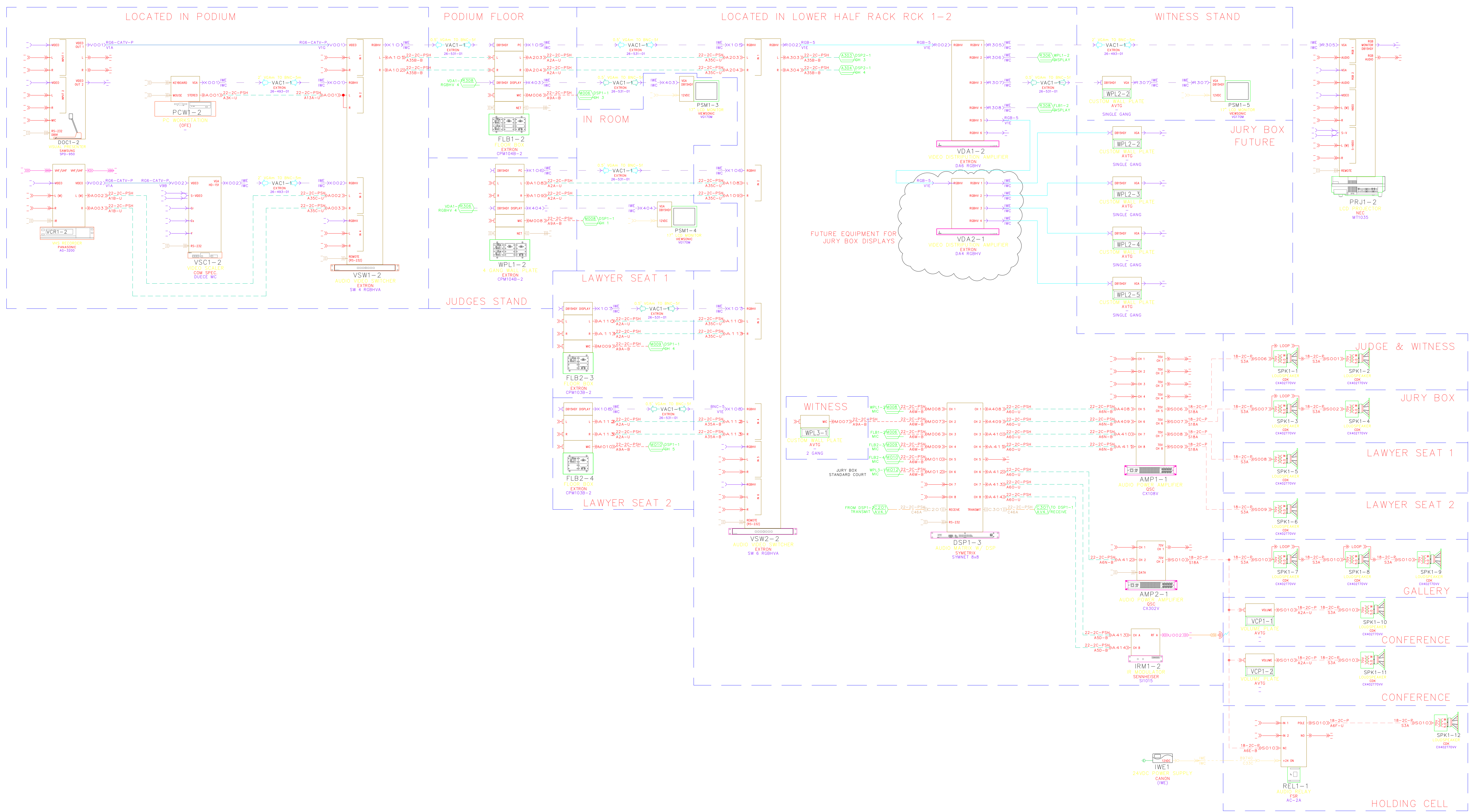
PROJECT NAME:
 GALVESTON COUNTY JUSTICE CENTER

SHEET TITLE:
 LARGE COURTROOM "A"
 A/V FUNCTIONAL DIAGRAM

DWG NUMBER:
 AV4.1

Cable Type			Cable Schedule					
CABLE NO.	MANUFACTURER	DESCRIPTION	WIRE NO.	SYMBOL	DESCRIPTION	START #	LAST # USED	WIRES # NOT USED
22-2C-PSH	LIBERTY	22 GAUGE 2 CONDUCTOR PLENUM SHIELDED	A000-A999	→	LINE LEVEL AUDIO	A001	A406	4-100, 108-200, 203-300, 305-400
22-2C-PSH	LIBERTY	22 GAUGE 2 CONDUCTOR PLENUM SHIELDED	M000-M999	→	MIC LEVEL AUDIO	M001	M104	6-100
RGB-5	LIBERTY	26 GAUGE 5 CONDUCTOR 75 OHM TINNED COPPER	R000-R999	→	RGBS/ RGBHV/ RGB	R001	R001	-
18-2C-P	LIBERTY	18 GAUGE 2 CONDUCTOR PLENUM SHIELDED	S000-S999	→	SPEAKER LEVEL AUDIO	S001	S006	-
RG-6	LIBERTY	VIDEO CABLE	V000-V999	→	COMPOSITE VIDEO	V001	V002	-
			X000-X999	→	VGA	X001	X402	3-100, 105-200, 202-300, 305-400

AMX Dip Switch								
VALUE	1	2	3	4	5	6	7	8



AVTGS
AUDIO VISUAL TECHNOLOGIES GROUP, INC.
 4910 WRIGHT ROAD
 SUITE #100
 STAFFORD, TX. 77477
 PHONE: (281) 340-2100 or 1-800-522-3687
 FAX: (281) 340-2250
 www.avtgs.com

A/V System Designed & Engineered By:

pmk
CONSULTANTS
 ACUSTICS | AUDIO | VISUAL SYSTEMS

1420 W. MOCKINGBIRD LN, SUITE 400
 DALLAS, TX. 76247
 PHONE: (800) 229-7444 FAX: (214) 951-7408

- PROPOSAL
- SKETCH
- CDR
- PDR
- FDR
- INTEGRATION
- AS BUILT
- REFERENCE
- PRELIMINARY
- NOT FOR CONSTRUCTION
- DRAFT
- OTHER:

Submittals

No.	Date	Description
1	01/04/05	Original Submittal

Revisions

No.	Date	Description
1	10/12/05	Final Revisions
2	10/31/05	JURY DISPLAY PLATES
3	02/01/06	CONTROL & DSP INPUTS

Notice:
 This drawing is the property of AVTGS. Design information, drawings, details, and / or specification data may not be reproduced or duplicated. No work may be executed without written authorization of AVTGS.
 © Copyright 2000, AVTGS

Issue: DESIGN PHASE
 Project Name: GALVESTON COUNTY J.C.
 Project Number: -
 Drawn By: ANDREW MASSEY
 Checked By: AS NOTED
 File Location: G:\SYSTEMS\CADD\GALVESTON CO.
 Drawing Name: -

CLIENT:
 GALVESTON COUNTY
 PROJECT NAME:
 GALVESTON COUNTY JUSTICE CENTER

SHEET TITLE:
 COURTROOM "B"
 A/V FUNCTIONAL DIAGRAM

DWG NUMBER:
 AV4.2

Cable Type			Cable Schedule					AMX Dip Switch								
CABLE NO.	MANUFACTURER	DESCRIPTION	WIRE NO.	SYMBOL	DESCRIPTION	START #	LAST # USED	WIRES # NOT USED								
22-2C-PSH	LIBERTY	22 GAUGE 2 CONDUCTOR PLENUM SHIELDED CABLE	C000-C999	→	REMOTE CONTROLS	C010	C026	11-25								
	CRESTRON	18 GAUGE 2 CONDUCTOR PLENUM SHIELDED														

VALUE	1	2	3	4	5	6	7	8



AUDIO VISUAL TECHNOLOGIES GROUP, INC.
 4910 WRIGHT ROAD
 SUITE #100
 STAFFORD, TX. 77477
 PHONE: (281) 340-2100 or 1-800-522-3687
 FAX: (281) 240-2250
www.avtg.com

A/V System Designed & Engineered By:



pmk CONSULTANTS
 ACUSTICS | AUDIO | VISUAL SYSTEMS

1420 W. MOCKINGBIRD LN, SUITE 400
 DALLAS, TX. 76247
 PHONE: (800) 229-7444 FAX: (214) 951-7408

- PROPOSAL
- SKETCH
- CDR
- PDR
- FDR
- INTEGRATION
- AS BUILT
- REFERENCE
- PRELIMINARY
- NOT FOR CONSTRUCTION
- DRAFT
- OTHER:

Submittals	No.	Date	Description
	1	01/04/05	Original Submittal

Revisions	No.	Date	Description
	1	10/12/05	Final Revisions
	2	02/01/06	CONTROL & DSP INPUTS

Notice:
 This drawing is the property of AVTG. Design information, drawings, details, and / or specification data may not be reproduced or duplicated. No work may be executed without written authorization of AVTG.
 © Copyright 2000, AVTG

Issue: DESIGN PHASE
 Project Name: GALVESTON COUNTY J.C.
 Project Number: -
 Engineered By: -
 Drawn By: ANDREW MASSEY
 Checked By: -
 Scale: AS NOTED
 File Location: G:\SYSTEMS\CADD\GALVESTON CO.
 Drawing Name: -

CLIENT: GALVESTON COUNTY

PROJECT NAME: GALVESTON COUNTY JUSTICE CENTER

SHEET TITLE: DUAL COURTROOM "A-B" A/V CONTROL DIAGRAM

DWG NUMBER: AV4.3



Audio/ Visual Functional Diagram

Cable Type			Cable Schedule						AMX Dip Switch									
CABLE NO.	MANUFACTURER	DESCRIPTION	WIRE NO.	SYMBOL	DESCRIPTION	START #	LAST # USED	WIRES # NOT USED		VALUE	1	2	3	4	5	6	7	8
22-2C-PSH	LIBERTY	22 GAUGE 2 CONDUCTOR PLENUM SHIELDED	A000-A999	→	LINE LEVEL AUDIO	A001	A408	4-100, 108-200, 203-300, 305-400										
22-2C-PSH	LIBERTY	22 GAUGE 2 CONDUCTOR PLENUM SHIELDED	M000-M999	→	MIC LEVEL AUDIO	M001	M104	6-100										
RG-6	LIBERTY	26 GAUGE 5 CONDUCTOR 75 OHM TINNED COPPER	R000-R999	→	RGBS/ RGBHV/ RGB	R001	R001											
18-2C-P	LIBERTY	18 GAUGE 2 CONDUCTOR PLENUM SHIELDED	S000-S999	→	SPEAKER LEVEL AUDIO	S001	S006											
V000-V999		COMPOSITE VIDEO	V001	→	V002													
X000-X999		VGA	X001	→	X402			3-100, 105-200, 202-300, 305-400										

AVT
AUDIO VISUAL
TECHNOLOGIES GROUP, INC.
4910 WRIGHT ROAD
SUITE #100
STAFFORD, TX, 77477
PHONE: (281) 240-2100 or 1-800-522-3687
FAX: (281) 240-2250
www.avtg.com

A/V System Designed & Engineered By:

pmk
CONSULTANTS
ACUSTICS | AUDIO | VISUAL SYSTEMS

1420 W. MOCKINGBIRD LN, SUITE 400
DALLAS, TX. 76247
PHONE: (800) 229-7444 FAX: (214) 951-7408

- PROPOSAL
- SKETCH
- CDR
- PDR
- FDR
- INTEGRATION
- AS BUILT
- REFERENCE
- PRELIMINARY
- NOT FOR CONSTRUCTION
- DRAFT
- OTHER:

No.	Date	Description
1	01/04/05	Original Submittal

No.	Date	Description
1	10/12/05	Final Revisions
2	10/31/05	JURY DISPLAY PLATES
3	02/01/06	CONTROL & DSP INPUTS
4	04/15/06	ROOM C. AND D

Notice:
This drawing is the property of AVT. Design information, drawings, details, and / or specification data may not be reproduced or duplicated. No work may be executed without written authorization of AVT.
© Copyright 2000, AVT

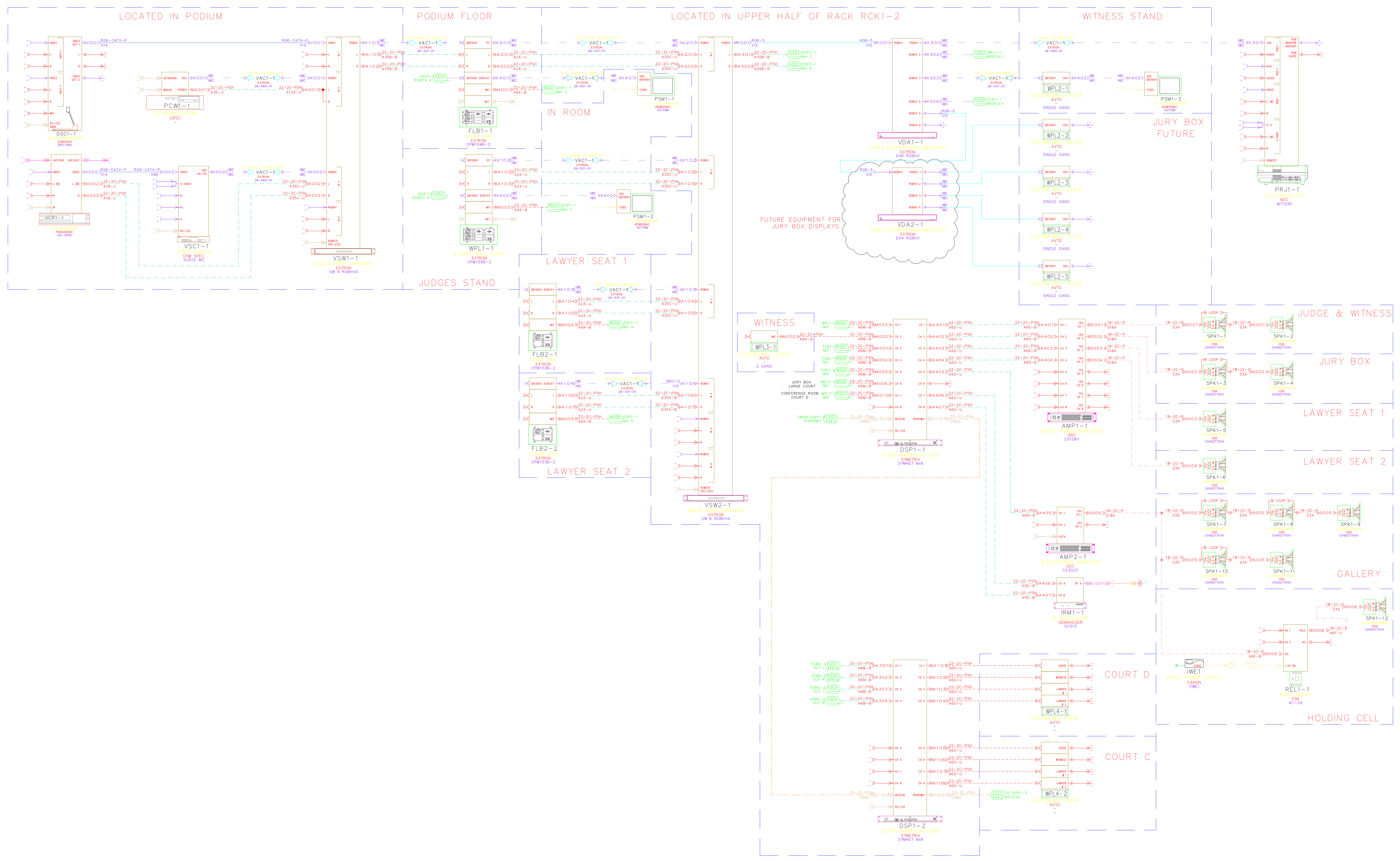
Issue: DESIGN PHASE
Project Name: GALVESTON COUNTY J.C.
Project Number: -
Engineered By: -
Drawn By: ANDREW MASSEY
Checked By: -
Scale: AS NOTED
File Location: G:\SYSTEMS\CADD\GALVESTON CO.
Drawing Name: -

CLIENT: GALVESTON COUNTY

PROJECT NAME: GALVESTON COUNTY JUSTICE CENTER

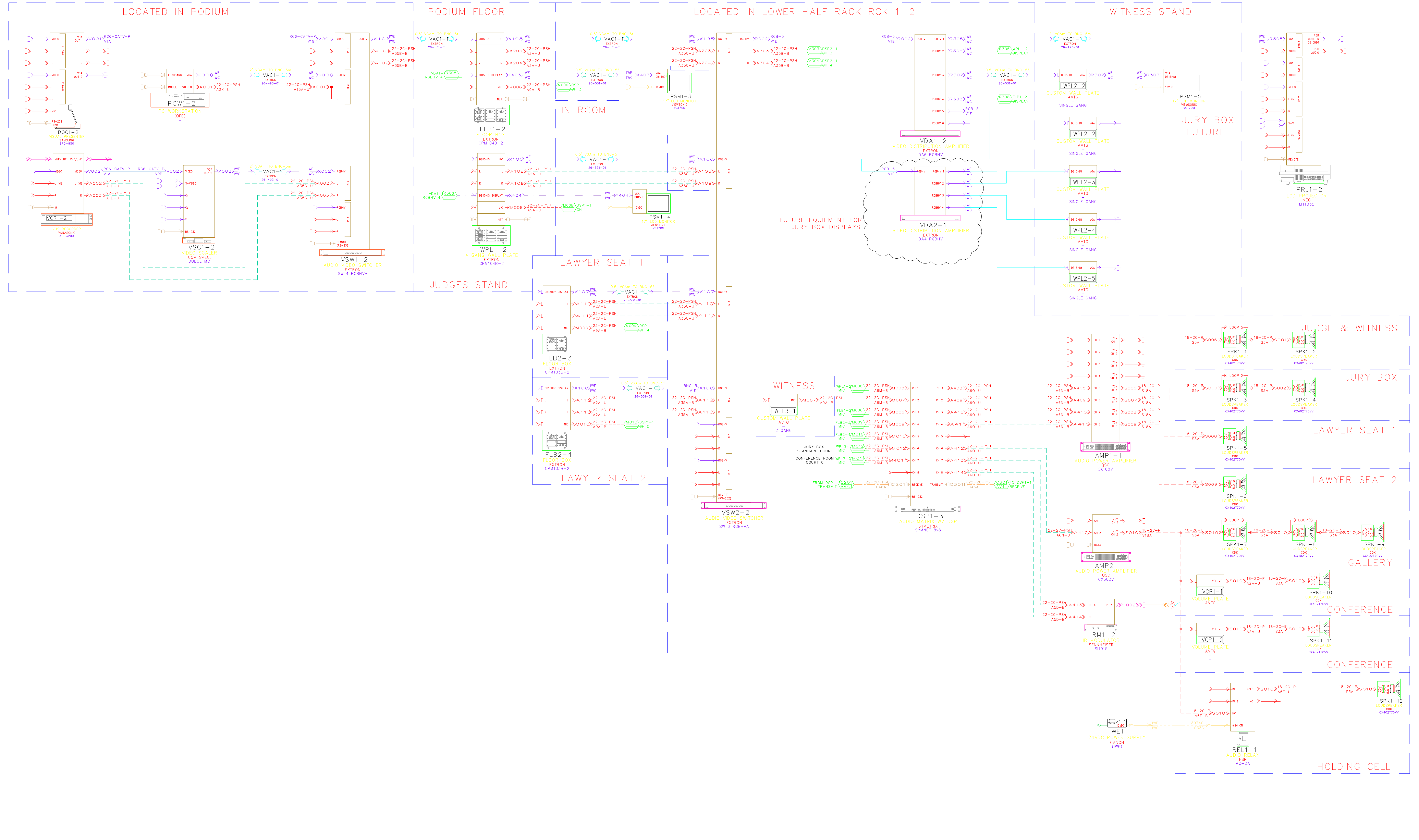
SHEET TITLE: COURTROOM "D" A/V FUNCTIONAL DIAGRAM

DWG NUMBER: AV4.4



Audio/ Visual Functional Diagram

Cable Type			Cable Schedule				AMX Dip Switch									
CABLE NO.	MANUFACTURER	DESCRIPTION	WIRE NO.	SYMBOL	DESCRIPTION	START #	LAST # USED	WIRES # NOT USED								
A000-A999		22 GAUGE 2 CONDUCTOR PLENUM SHIELDED		→	LINE LEVEL AUDIO	A001	A408	4-100, 108-200, 203-300, 305-400								
M000-M999		22 GAUGE 2 CONDUCTOR PLENUM SHIELDED		→	MIC LEVEL AUDIO	M001	M104	6-100								
R000-R999		26 GAUGE 5 CONDUCTOR 75 OHM TINNED COPPER		→	RGBS / RGBHV / RGB	R001	R001									
S000-S999		18 GAUGE 2 CONDUCTOR PLENUM SHIELDED		→	SPEAKER LEVEL AUDIO	S001	S006									
V000-V999		22 GAUGE 2 CONDUCTOR PLENUM SHIELDED		→	COMPOSITE VIDEO	V001	V002									
X000-X999		VIDEO CABLE		→	VGA	X001	X402	3-100, 105-200, 202-300, 305-400								



**AUDIO VISUAL
TECHNOLOGIES GROUP, INC.**
4910 WRIGHT ROAD
SUITE #100
STAFFORD, TX. 77477
PHONE: (281) 240-2100 or 1-800-522-3687
FAX: (281) 240-2250
www.avtg.com

A/V System Designed & Engineered By:

pmk
CONSULTANTS
ACOUSTICS | AUDIO | VISUAL SYSTEMS

1420 W. MOCKINGBIRD LN, SUITE 400
DALLAS, TX. 75247
PHONE: (800) 229-7444 FAX: (214) 951-7408

- | | |
|--------------------------------------|---|
| <input type="checkbox"/> PROPOSAL | <input type="checkbox"/> AS BUILT |
| <input type="checkbox"/> SKETCH | <input type="checkbox"/> REFERENCE |
| <input type="checkbox"/> CDR | <input checked="" type="checkbox"/> PRELIMINARY |
| <input type="checkbox"/> PDR | <input type="checkbox"/> NOT FOR CONS. |
| <input type="checkbox"/> FDR | <input type="checkbox"/> DRAFT |
| <input type="checkbox"/> INTEGRATION | <input type="checkbox"/> OTHER: |

Submittals

No.	Date	Description
1	01/04/05	Original Submittal

Revisions

No.	Date	Description
1	10/12/05	Final Revisions
2	10/31/05	JURY DISPLAY PLATES
3	02/01/06	CONTROL & DSP INPUTS
4	04/15/06	ROOM C. AND D

Notice:
This drawing is the property of AVTG. Design information, drawings, details, and / or specification data may not be reproduced or duplicated. No work may be executed without written authorization of AVTG.
© Copyright 2000, AVTG

Issue: DESIGN PHASE
Project Name: GALVESTON COUNTY J.C.
Project Number: -
Engineered By: -
Drawn By: ANDREW MASSEY
Checked By: -
Scale: AS NOTED
File Location: G:\SYSTEMS\CADD\GALVESTON CO.
Drawing Name: -

CLIENT: GALVESTON COUNTY

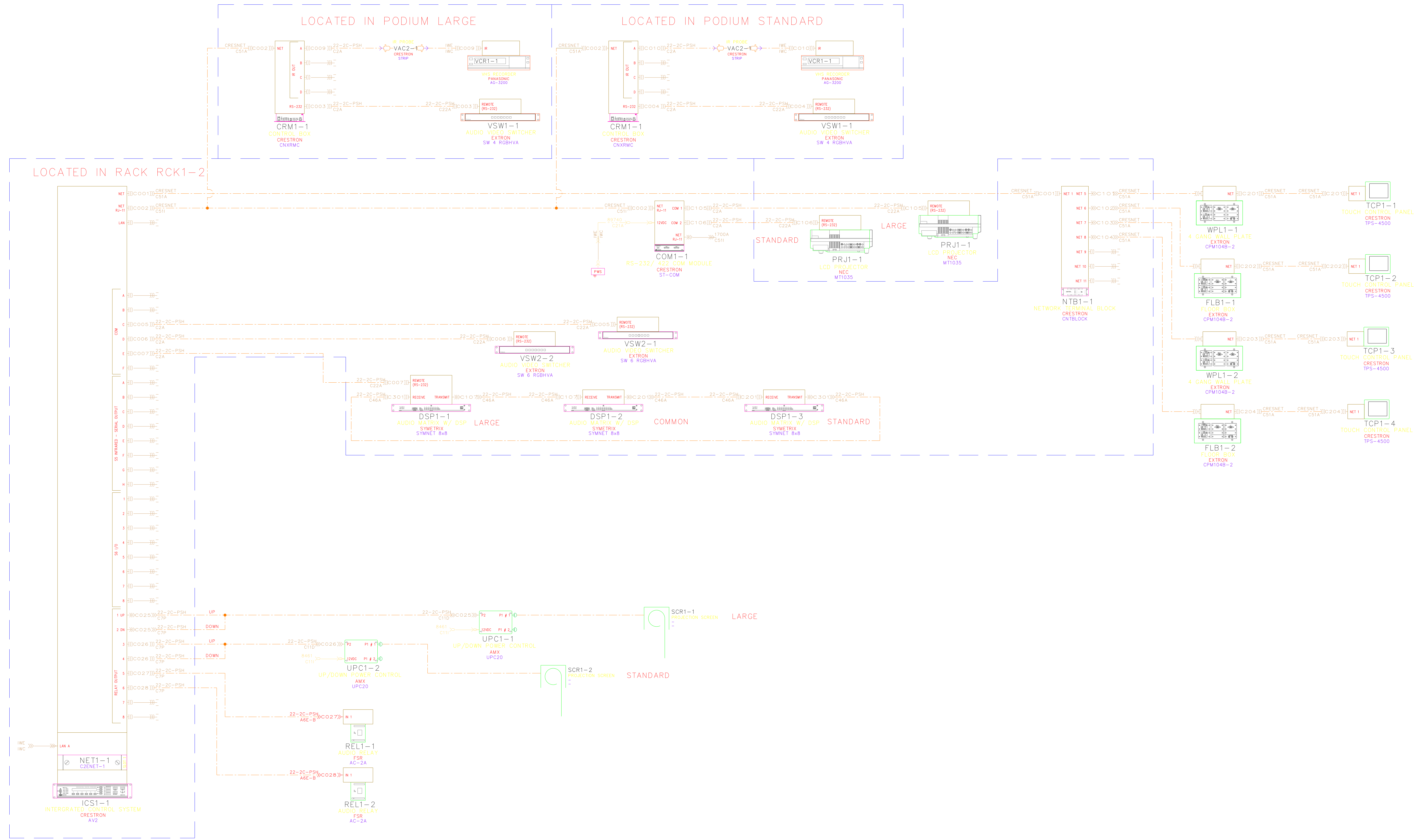
PROJECT NAME: GALVESTON COUNTY JUSTICE CENTER

SHEET TITLE: COURTROOM "C" A/V FUNCTIONAL DIAGRAM

DWG NUMBER: AV4.5

Cable Type			Cable Schedule					
CABLE NO.	MANUFACTURER	DESCRIPTION	WIRE NO.	SYMBOL	DESCRIPTION	START #	LAST # USED	WIRES # NOT USED
22-2C-P5H	LIBERTY	22 GAUGE 2 CONDUCTOR PLENUM SHIELDED	A000-A999	→	LINE LEVEL AUDIO	A001	A408	4-100, 108-200, 203-300, 305-400
22-2C-P5H	LIBERTY	22 GAUGE 2 CONDUCTOR PLENUM SHIELDED	M000-M999	→	MIC LEVEL AUDIO	M001	M104	6-100
RG-6	LIBERTY	28 GAUGE 5 CONDUCTOR PLENUM SHIELDED	R000-R999	→	RGBS/ RGBHV/ RGB	R001	R001	-
18-2C-P	LIBERTY	18 GAUGE 2 CONDUCTOR PLENUM SHIELDED	S000-S999	→	SPEAKER LEVEL AUDIO	S001	S006	-
RG-6	LIBERTY	VIDEO CABLE	V000-V999	→	COMPOSITE VIDEO	V001	V002	-
			X000-X999	→	VGA	X001	X402	3-100, 105-200, 202-300, 305-400

AMX Dip Switch									
VALUE	1	2	3	4	5	6	7	8	



AVTGS
AUDIO VISUAL TECHNOLOGIES GROUP, INC.
 4910 WRIGHT ROAD
 SUITE #100
 STAFFORD, TX. 77477
 PHONE: (281)340-2100 or 1-800-522-3687
 FAX: (281)246-2250
www.avtg.com

A/V System Designed & Engineered By:

pmk
CONSULTANTS
 ACUSTICS | AUDIO | VISUAL SYSTEMS

1420 W. MOCKINGBIRD LN, SUITE 400
 DALLAS, TX. 76247
 PHONE: (800) 229-7444 FAX: (214) 951-7408

- PROPOSAL
- SKETCH
- CDR
- PDR
- FDR
- INTEGRATION
- AS BUILT
- REFERENCE
- PRELIMINARY
- NOT FOR CONSTRUCTION
- DRAFT
- OTHER:

Submittals	
No.	Description
1	01/04/05 Original Submittal

Revisions		
No.	Date	Description
1	10/12/05	Final Revisions
2	10/31/05	JURY DISPLAY PLATES
3	02/01/06	CONTROL & DSP INPUTS
4	04/15/06	ROOM C AND D

Notice:
 This drawing is the property of AVTGS. Design information, drawings, details, and / or specification data may not be reproduced or duplicated. No work may be executed without written authorization of AVTGS.
 © Copyright 2000, AVTGS

Issue: DESIGN PHASE
 Project Name: GALVESTON COUNTY J.C.
 Project Number: -
 Engineered By: -
 Drawn By: ANDREW MASSEY
 Checked By: -
 Scale: AS NOTED
 File Location: G:\SYSTEMS\CADD\GALVESTON CO.
 Drawing Name: -

CLIENT:
 GALVESTON COUNTY

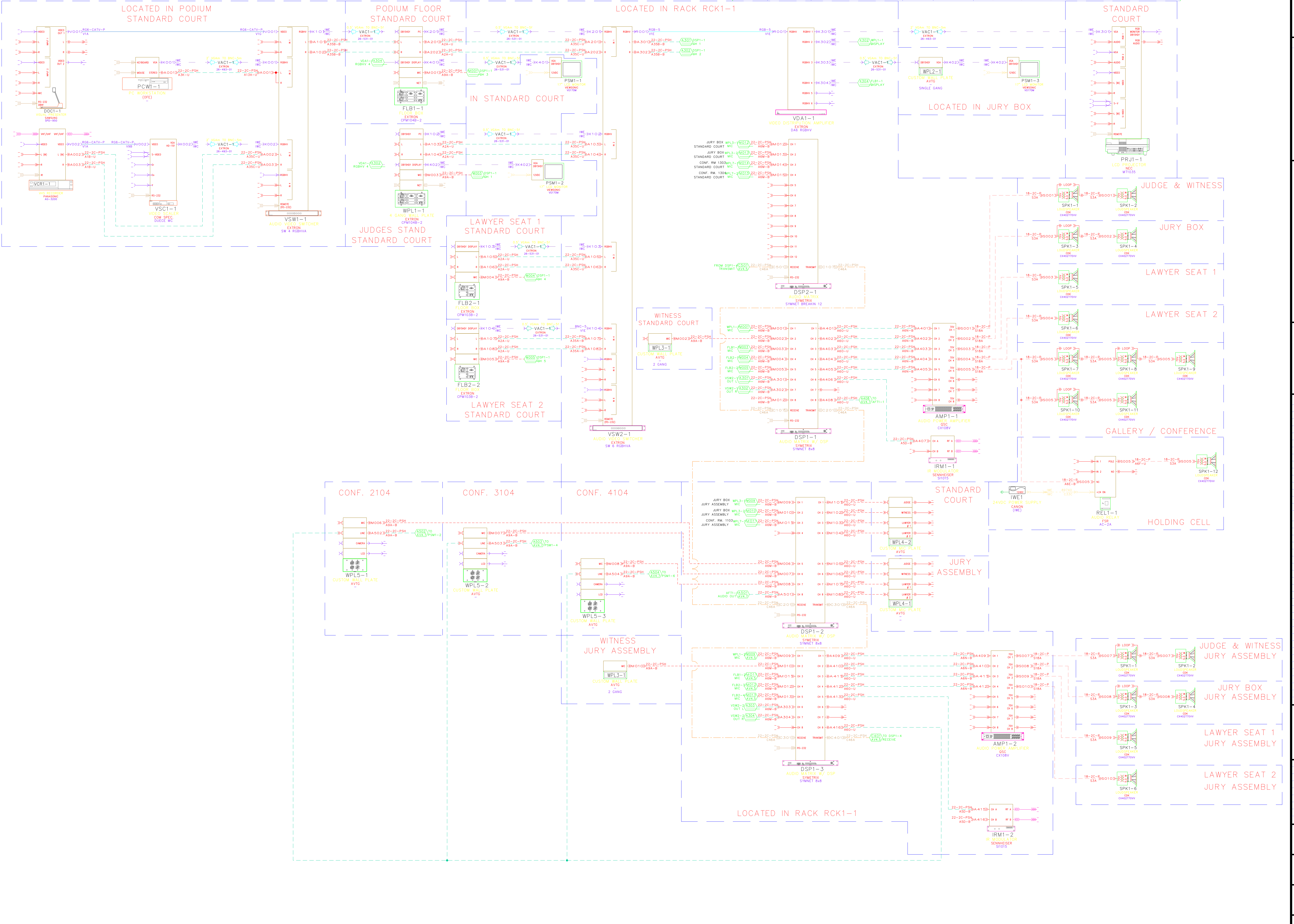
PROJECT NAME:
 GALVESTON COUNTY JUSTICE CENTER

SHEET TITLE:
 COURTROOMS C-D CONTROL FUNCTIONAL DIAGRAM

DWG NUMBER:
 AV4.6

Cable Type				Cable Schedule			
CABLE NO.	MANUFACTURER	DESCRIPTION	WIRE NO.	SYMBOL	DESCRIPTION	START #	LAST # USED
A000-A999	LIBERTY	22 GAUGE 2 CONDUCTOR PLENUM SHIELDED	A001	A408	LINE LEVEL AUDIO	4-100, 108-200, 203-300, 305-400	
M000-M999	LIBERTY	22 GAUGE 2 CONDUCTOR PLENUM SHIELDED	M001	M104	MIC LEVEL AUDIO	6-100	
R000-R999	LIBERTY	26 GAUGE 5 CONDUCTOR 75 OHM TINNED COPPER	R001	R001	RGBS/ RGBHV/ RGB		
S000-S999	LIBERTY	18 GAUGE 2 CONDUCTOR PLENUM SHIELDED	S001	S006	SPEAKER LEVEL AUDIO		
V000-V999	LIBERTY	VIDEO CABLE	V001	V002	COMPOSITE VIDEO		
X000-X999			X001	X402		3-100, 105-200, 202-300, 305-400	

AMX Dip Switch									
VALUE	1	2	3	4	5	6	7	8	



AVT
AUDIO VISUAL TECHNOLOGIES GROUP, INC.
 4910 WRIGHT ROAD
 SUITE #100
 STAFFORD, TX. 77477
 PHONE: (281) 340-2108 or 1-800-522-3687
 FAX: (281) 246-2250
www.avtg.com

A/V System Designed & Engineered By:

pmk
CONSULTANTS
 ACUSTICS | AUDIO | VISUAL SYSTEMS

1420 W. MOCKINGBIRD LN, SUITE 400
 DALLAS, TX. 76247
 PHONE: (800) 229-7444 FAX: (214) 951-7408

- PROPOSAL
- SKETCH
- CDR
- PDR
- FDR
- INTEGRATION
- AS BUILT
- REFERENCE
- PRELIMINARY
- NOT FOR CONSTRUCTION
- DRAFT
- OTHER:

Submittals

No.	Date	Description
1	01/04/05	Original Submittal

Revisions

No.	Date	Description
1	10/12/05	Final Revisions

Notice:
 This drawing is the property of AVTG. Design information, drawings, details, and / or specification data may not be reproduced or duplicated. No work may be executed without written authorization of AVTG.
 © Copyright 2000, AVTG

Issue: DESIGN PHASE
 Project Name: GALVESTON COUNTY J.C.
 Project Number: -
 Drawn By: ANDREW MASSEY
 Checked By: -
 Scale: AS NOTED
 File Location: C:\AVSYSTEMS\CADD\GALVESTON CO.
 Drawing Name: -

CLIENT: GALVESTON COUNTY

PROJECT NAME: GALVESTON COUNTY JUSTICE CENTER

SHEET TITLE: 1ST FLOOR JURY ASSEMBLY/STANDARD COURT A/V FUNCTIONAL DIAGRAM

DWG NUMBER: AV4.4

Audio/ Visual Functional Diagram

Cable Type			Cable Schedule					
CABLE NO.	MANUFACTURER	DESCRIPTION	WIRE NO.	SYMBOL	DESCRIPTION	START #	LAST # USED	WIRES # NOT USED
22-2C-PSH	LIBERTY	22 GAUGE 2 CONDUCTOR PLENUM SHIELDED	A000-A999	→	LINE LEVEL AUDIO	A001	A406	4-100, 108-200, 203-300, 305-400
22-2C-PSH	LIBERTY	22 GAUGE 2 CONDUCTOR PLENUM SHIELDED	M000-M999	→	MIC LEVEL AUDIO	M001	M104	6-100
RG-6	LIBERTY	26 GAUGE 5 CONDUCTOR 75 OHM TINNED COPPER	R000-R999	→	RGBS/ RGBHV/ RG6	R001	R001	-
18-2C-P	LIBERTY	18 GAUGE 2 CONDUCTOR PLENUM SHIELDED	S000-S999	→	SPEAKER LEVEL AUDIO	S001	S006	-
RG-6	LIBERTY	VIDEO CABLE	V000-V999	→	COMPOSITE VIDEO	V001	V002	-
			X000-X999	→	VGA	X001	X402	3-100, 105-200, 202-300, 305-400

AMX Dip Switch								
VALUE	1	2	3	4	5	6	7	8



A/V System Designed & Engineered By:



1420 W. MOCKINGBIRD LN, SUITE 400
DALLAS, TX. 76247
PHONE: (800) 229-7444 FAX: (214) 951-7408

- PROPOSAL
- SKETCH
- CDR
- PDR
- FDR
- INTEGRATION
- AS BUILT
- REFERENCE
- PRELIMINARY
- NOT FOR CONSTRUCTION
- DRAFT
- OTHER:

Submittals		
No.	Date	Description
1	01/04/05	Original Submittal

Revisions		
No.	Date	Description
1	10/12/05	Final Revisions

Notice:
This drawing is the property of AVTG. Design information, drawings, details, and / or specification data may not be reproduced or duplicated. No work may be executed without written authorization of AVTG.
© Copyright 2000, AVTG

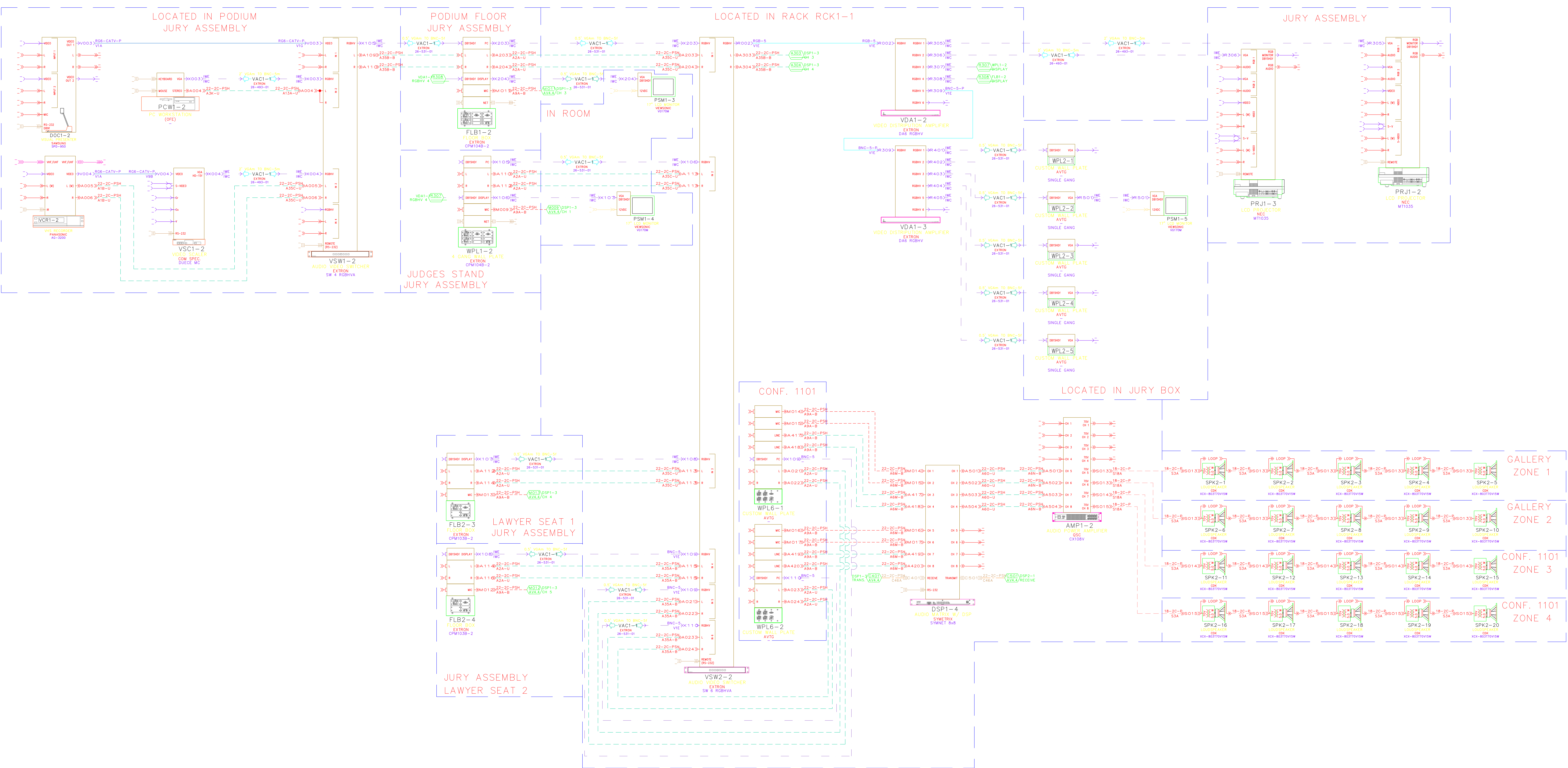
Issue: DESIGN PHASE
Project Name: GALVESTON COUNTY J.C.
Project Number: -
Engineered By: -
Drawn By: ANDREW MASSEY
Checked By: -
Scale: AS NOTED
File Location: G:\SYSTEMS\CADD\GALVESTON CO.
Drawing Name: -

CLIENT: GALVESTON COUNTY

PROJECT NAME: GALVESTON COUNTY JUSTICE CENTER

SHEET TITLE: JURY ASSEMBLY A/V FUNCTIONAL DIAGRAM

DWG NUMBER: AV4.5



Audio/ Visual Functional Diagram

Cable Type			Cable Schedule					AMX Dip Switch								
CABLE NO.	MANUFACTURER	DESCRIPTION	WIRE NO.	SYMBOL	DESCRIPTION	START #	LAST # USED	WIRES # NOT USED								
22-2C-PSH	LIBERTY	22 GAUGE 2 CONDUCTOR PLENUM SHIELDED	A000-A999	→	LINE LEVEL AUDIO	A001	A408	4-100, 108-200, 203-300, 305-400								
22-2C-PSH	LIBERTY	22 GAUGE 2 CONDUCTOR PLENUM SHIELDED	M000-M999	→	MIC LEVEL AUDIO	M001	M104	6-100								
RGB-5	LIBERTY	26 GAUGE 5 CONDUCTOR 75 OHM TINNED COPPER	R000-R999	→	RGBS/ RGBHV/ RGB	R001	R001	-								
18-2C-P	LIBERTY	18 GAUGE 2 CONDUCTOR PLENUM SHIELDED	S000-S999	→	SPEAKER LEVEL AUDIO	S001	S006	-								
RG-6	LIBERTY	VIDEO CABLE	V000-V999	→	COMPOSITE VIDEO	V001	V002	-								
			X000-X999	→	VGA	X001	X402	3-100, 105-200, 202-300, 305-400								

VALUE	1	2	3	4	5	6	7	8

AVT
AUDIO VISUAL
TECHNOLOGIES GROUP, INC.
4910 WRIGHT ROAD
SUITE #100
STAFFORD, TX, 77477
PHONE: (281) 240-2108 or 1-800-522-3687
FAX: (281) 240-2250
www.avtg.com

A/V System Designed & Engineered By:

pmk
CONSULTANTS
ACUSTICS | AUDIO | VISUAL SYSTEMS

1420 W. MOCKINGBIRD LN, SUITE 400
DALLAS, TX. 76247
PHONE: (800) 229-7444 FAX: (214) 951-7408

- PROPOSAL
- SKETCH
- CDR
- PDR
- FDR
- INTEGRATION
- AS BUILT
- REFERENCE
- PRELIMINARY
- NOT FOR CONSTRUCTION
- DRAFT
- OTHER:

Submittals		
No.	Date	Description
1	01/04/05	Original Submittal

Revisions		
No.	Date	Description
1	10/12/05	Final Revisions

Notice:
This drawing is the property of AVTG. Design information, drawings, details, and / or specification data may not be reproduced or duplicated. No work may be executed without written authorization of AVTG.
© Copyright 2000, AVTG

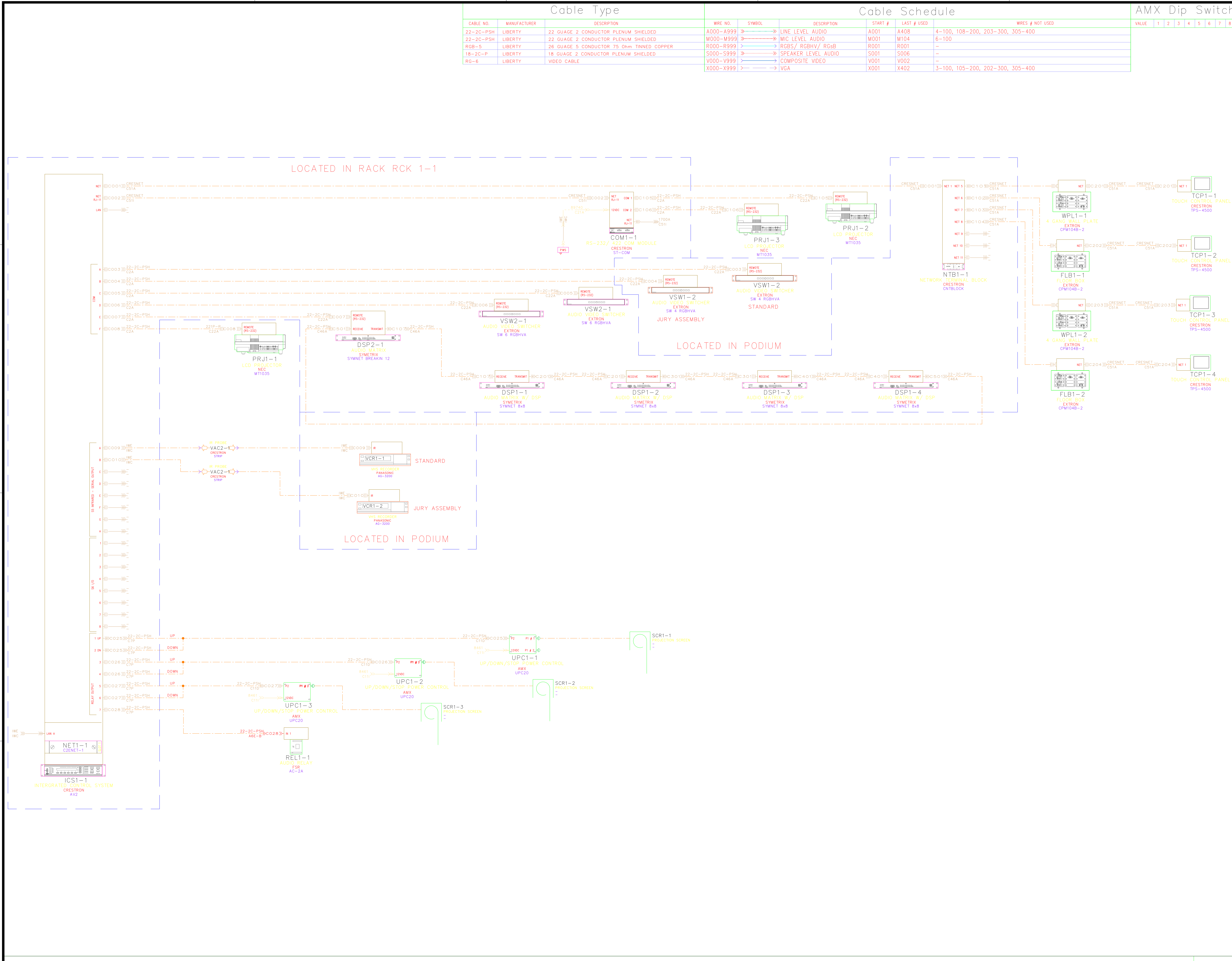
Issue : DESIGN PHASE
Project Name : GALVESTON COUNTY J.C.
Project Number : -
Engineered By : -
Drawn By : ANDREW MASSEY
Checked By : -
Scale : AS NOTED
File Location : G:\SYSTEMS\CADD\GALVESTON CO.
Drawing Name : -

CLIENT:
GALVESTON COUNTY

PROJECT NAME:
GALVESTON COUNTY JUSTICE CENTER

SHEET TITLE
JURY ASSEMBLY CONTROL FUNCTIONAL DIAGRAM

DWG NUMBER
AV4.6



Audio/ Visual Functional Diagram

Cable Type			Cable Schedule						
CABLE NO.	MANUFACTURER	DESCRIPTION	WIRE NO.	SYMBOL	DESCRIPTION	START #	LAST # USED	WIRES # NOT USED	
22-2C-PSH	LIBERTY	22 GAUGE 2 CONDUCTOR PLENUM SHIELDED	A000-A999	→	LINE LEVEL AUDIO	A001	A406	4-100, 108-200, 203-300, 305-400	
22-2C-PSH	LIBERTY	22 GAUGE 2 CONDUCTOR PLENUM SHIELDED	M000-M999	→	MIC LEVEL AUDIO	M001	M104	6-100	
RG-6	LIBERTY	26 GAUGE 5 CONDUCTOR 75 OHM TINNED COPPER	R000-R999	→	RGBS/ RGBHV/ RG8	R001	R001	-	
18-2C-P	LIBERTY	18 GAUGE 2 CONDUCTOR PLENUM SHIELDED	S000-S999	→	SPEAKER LEVEL AUDIO	S001	S006	-	
RG-6	LIBERTY	VIDEO CABLE	V000-V999	→	COMPOSITE VIDEO	V001	V002	-	
			X000-X999	→	VGA	X001	X402	3-100, 105-200, 202-300, 305-400	

AMX Dip Switch								
VALUE	1	2	3	4	5	6	7	8



AVTG
AUDIO VISUAL
TECHNOLOGIES GROUP, INC.
4910 WRIGHT ROAD
SUITE #100
STAFFORD, TX, 77477
PHONE: (281) 340-2100 or 1-800-522-3687
FAX: (281) 246-2250
www.avtg.com

A/V System Designed & Engineered By:



pmk
CONSULTANTS
ACOUSTICS | AUDIO | VISUAL SYSTEMS

1420 W. MOCKINGBIRD LN, SUITE 400
DALLAS, TX. 76247
PHONE: (800) 229-7444 FAX: (214) 951-7408

- PROPOSAL
- SKETCH
- CDR
- PDR
- FDR
- INTEGRATION
- AS BUILT
- REFERENCE
- PRELIMINARY
- NOT FOR CONSTRUCTION
- DRAFT
- OTHER:

Submittals		
No.	Date	Description
1	01/04/05	Original Submittal

Revisions		
No.	Date	Description
1	10/12/05	Final Revisions

Notice:
This drawing is the property of AVTG. Design information, drawings, details, and / or specification data may not be reproduced or duplicated. No work may be executed without written authorization of AVTG.
© Copyright 2000, AVTG

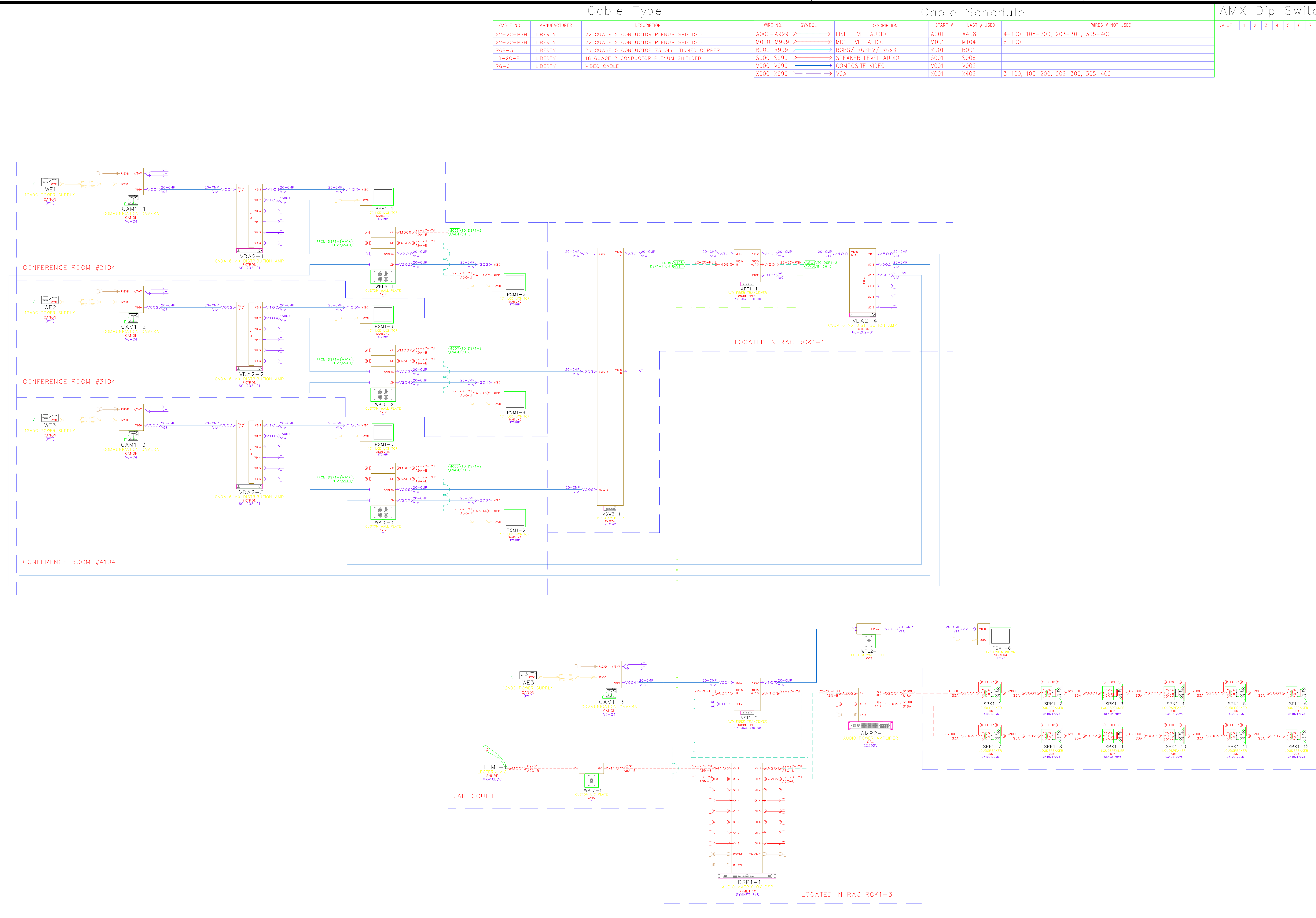
Issue: DESIGN PHASE
Project Name: GALVESTON COUNTY J.C.
Project Number: -
Engineered By: -
Drawn By: ANDREW MASSEY
Checked By: -
Scale: AS NOTED
File Location: G:\SYSTEMS\CADD\GALVESTON CO.
Drawing Name: -

CLIENT: GALVESTON COUNTY

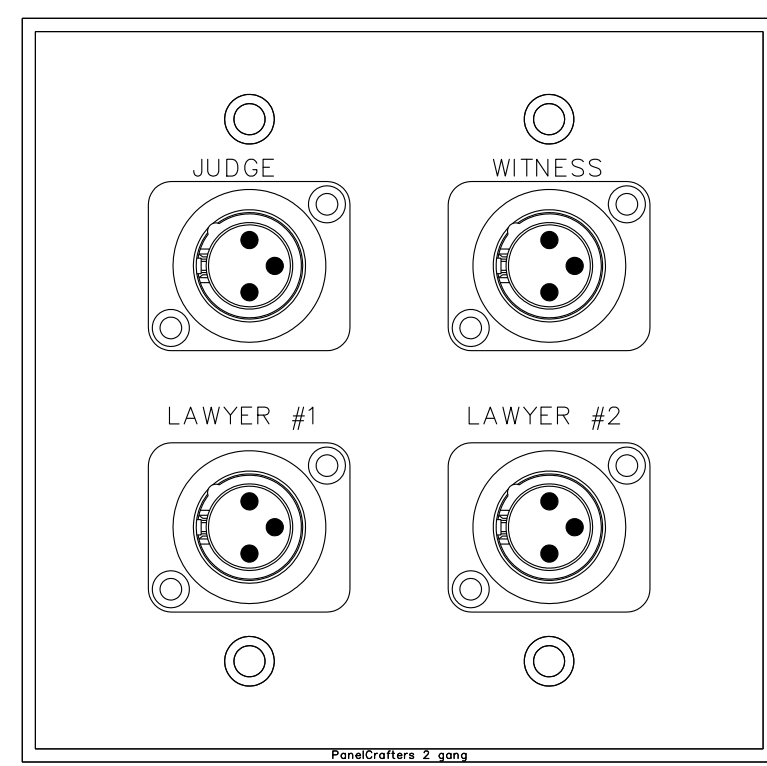
PROJECT NAME: GALVESTON COUNTY JUSTICE CENTER

SHEET TITLE: VIDEO ARRAIGNMENT A/V FUNCTIONAL DIAGRAM

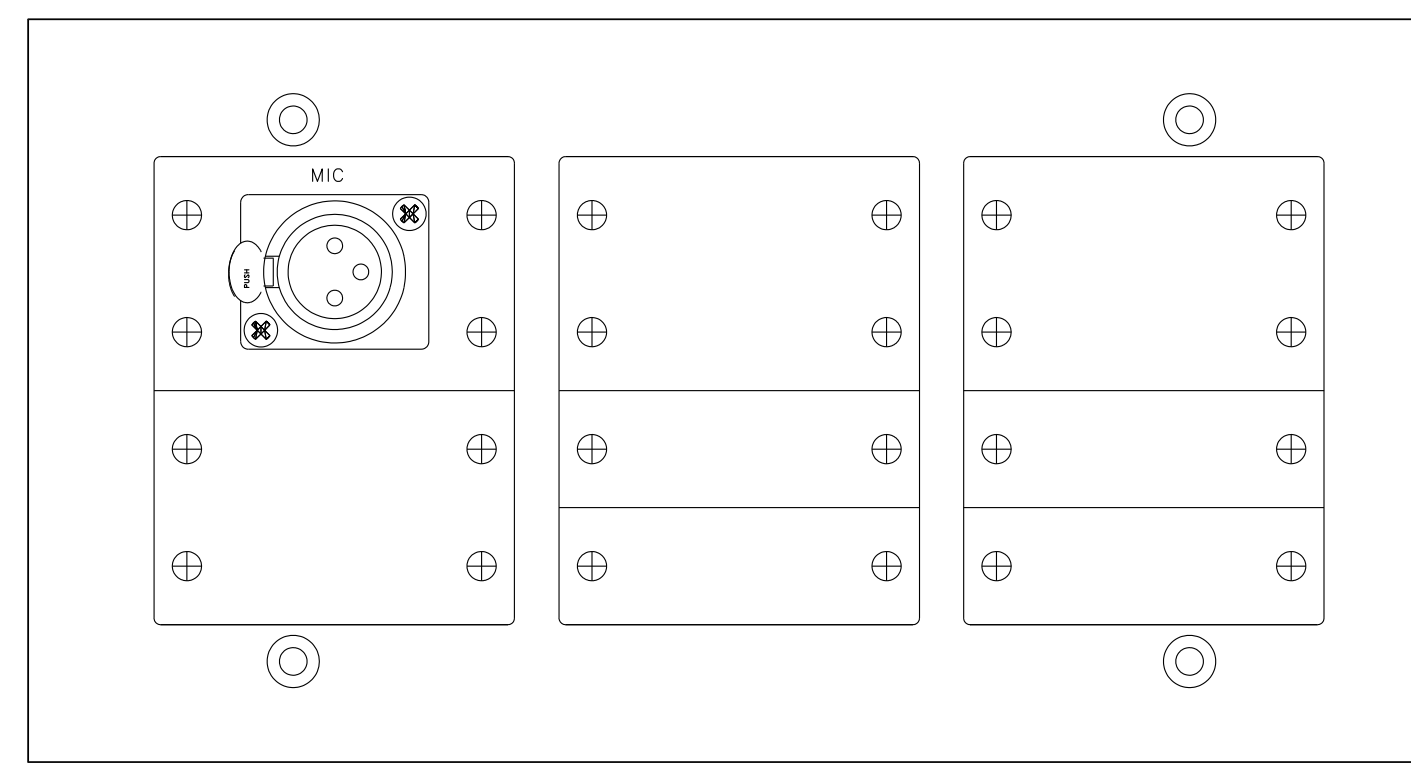
DWG NUMBER: AV4.7



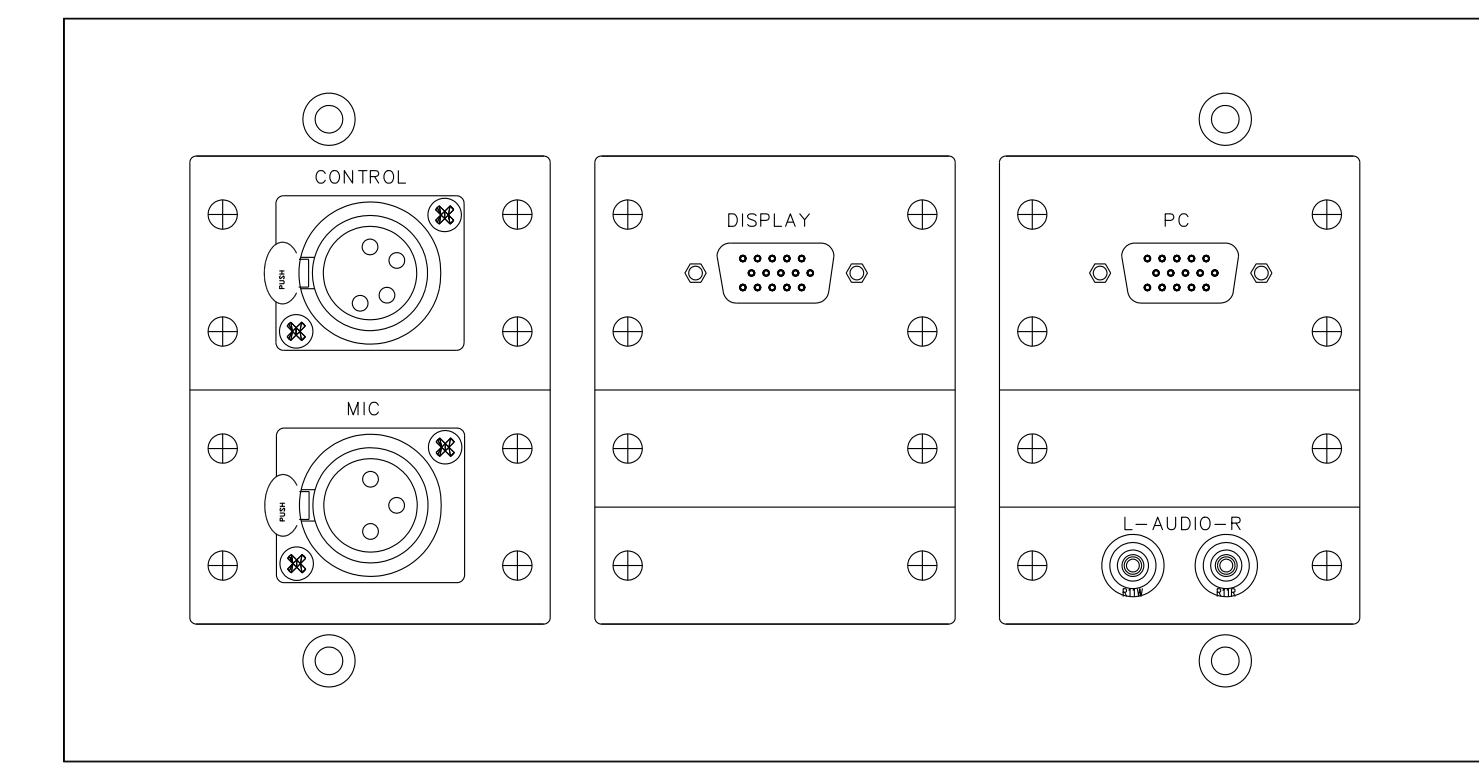
Audio/ Visual Functional Diagram



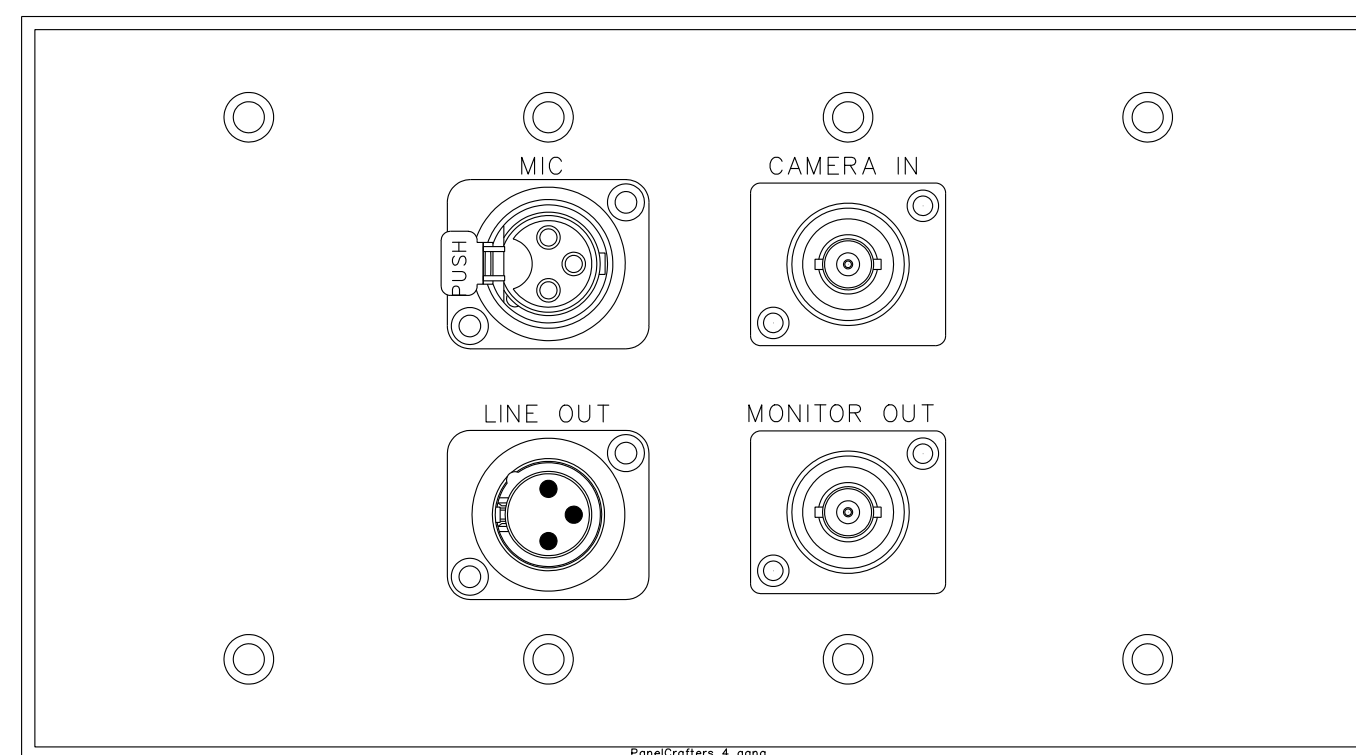
DETAIL - WALLPLATE WPL4-1
SCALE: NTS



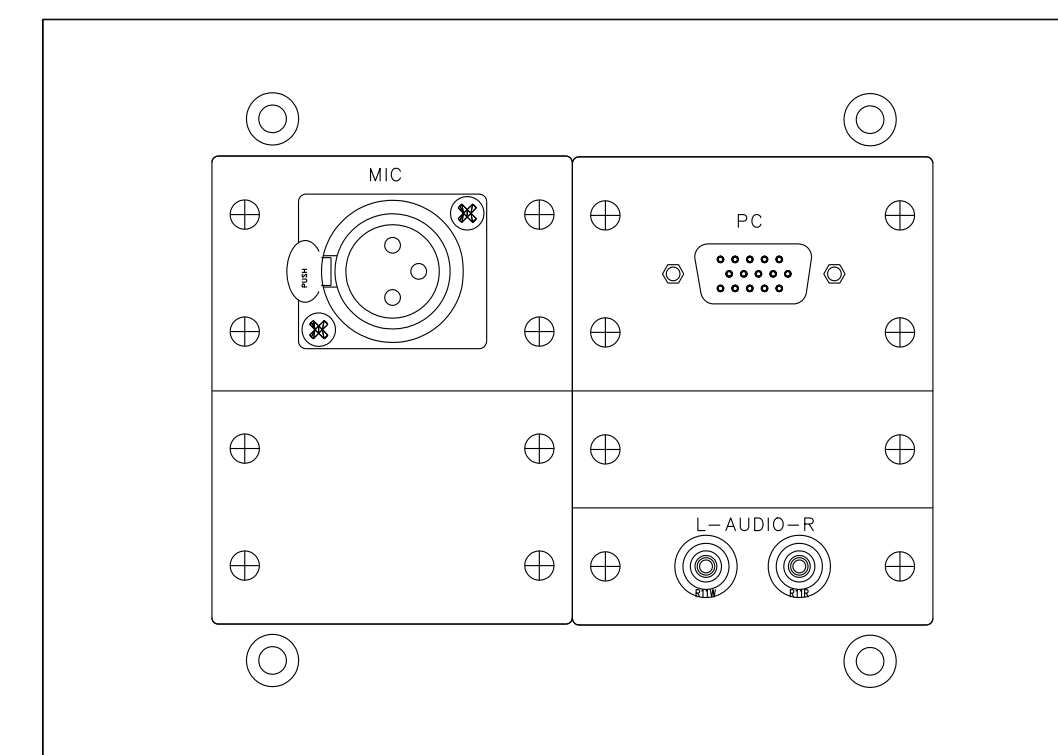
DETAIL - WALLPLATE WPL7-1
SCALE: NTS



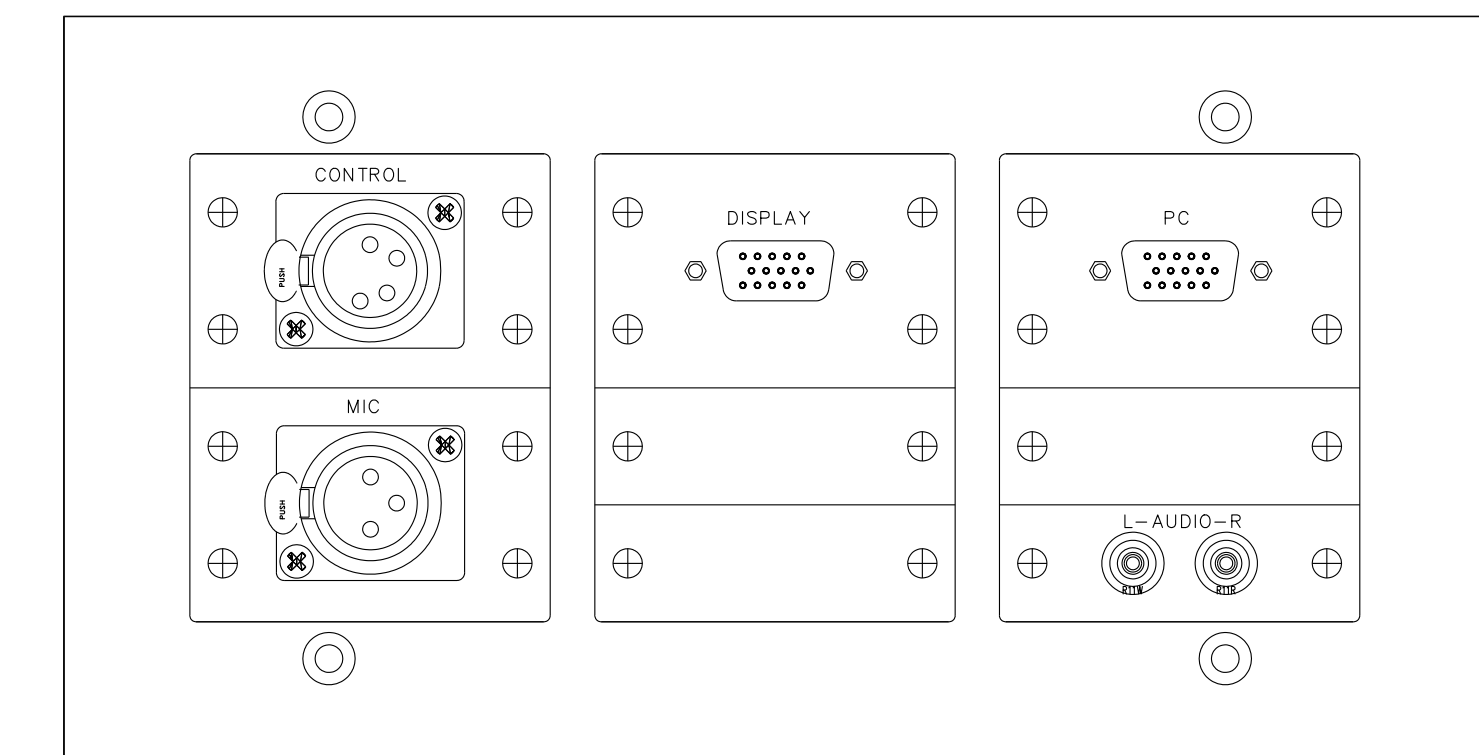
DETAIL - WALLPLATE WPL1-1
SCALE: NTS



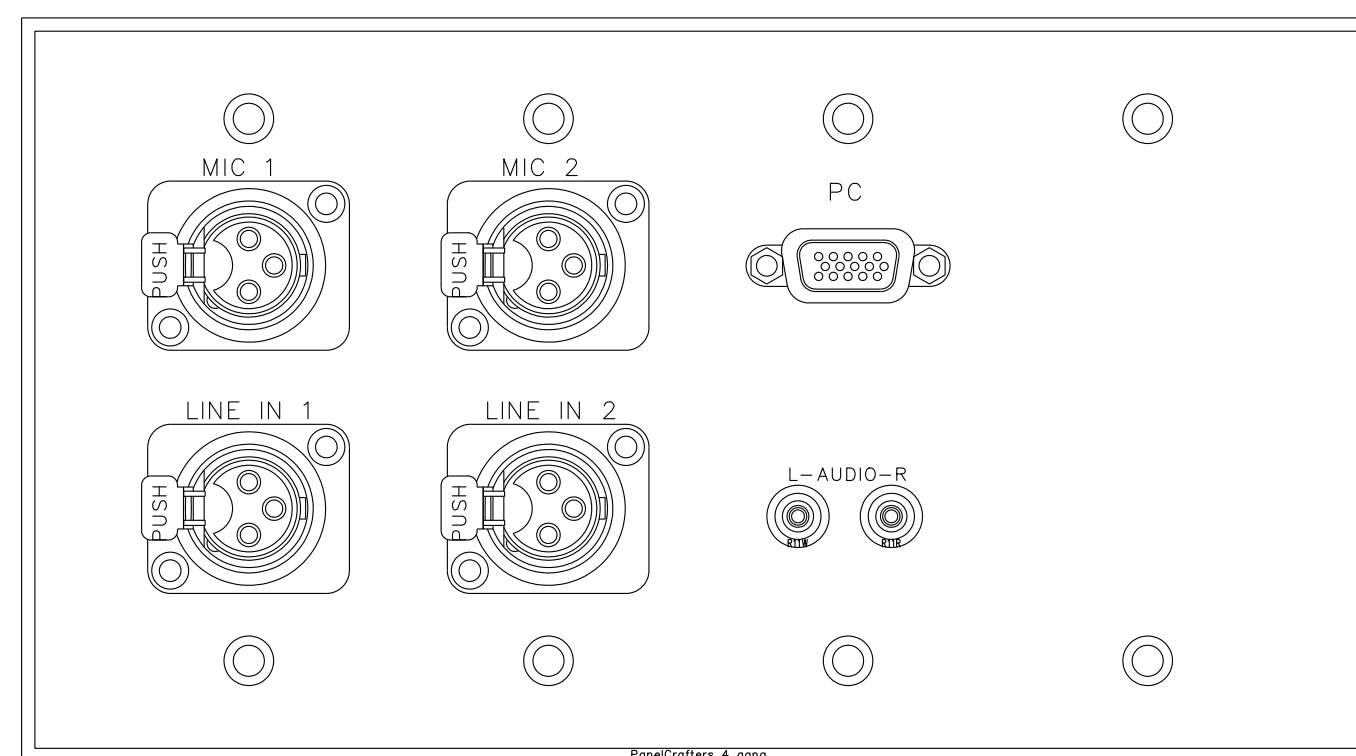
DETAIL - WALLPLATE WPL5-1
SCALE: NTS



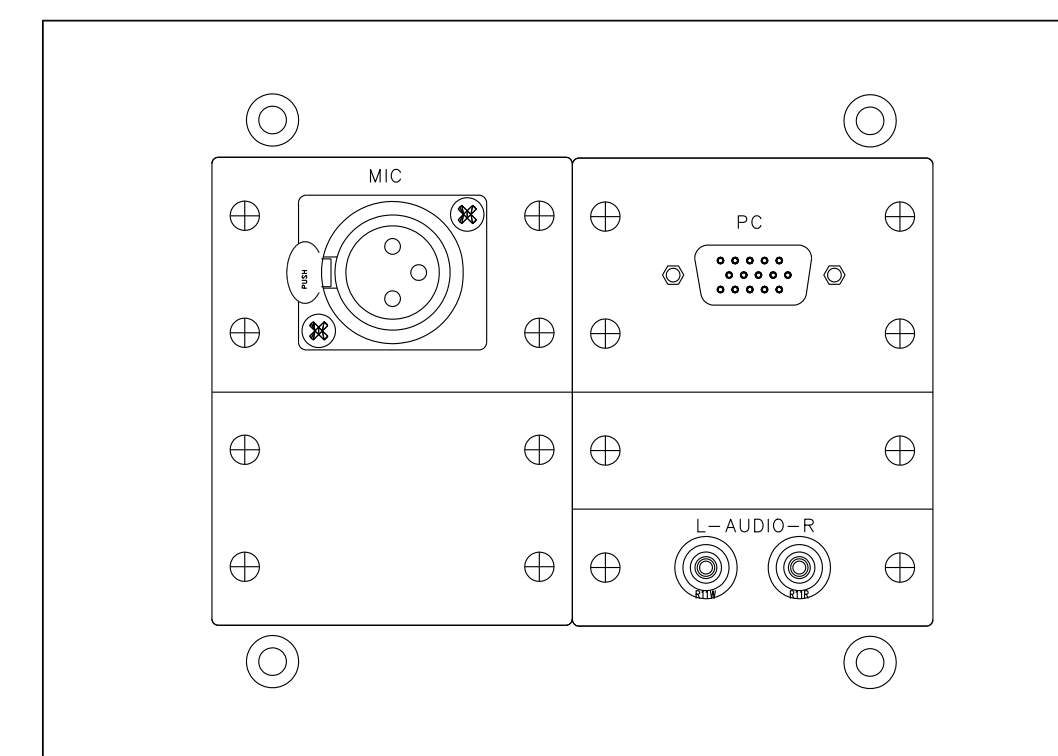
DETAIL - FLOOR BOX FLB2-1
SCALE: NTS



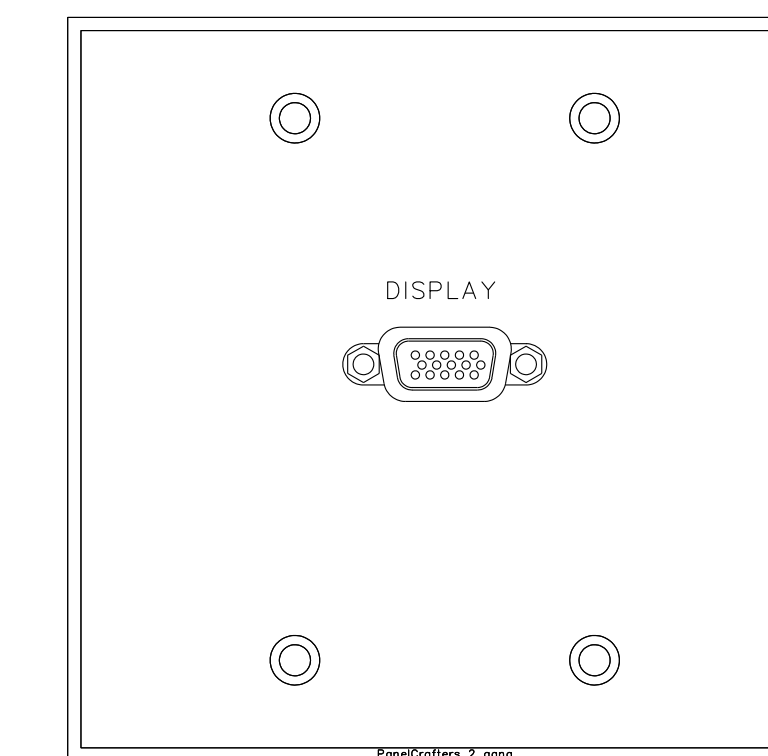
DETAIL - FLOOR BOX FLB1-1
SCALE: NTS



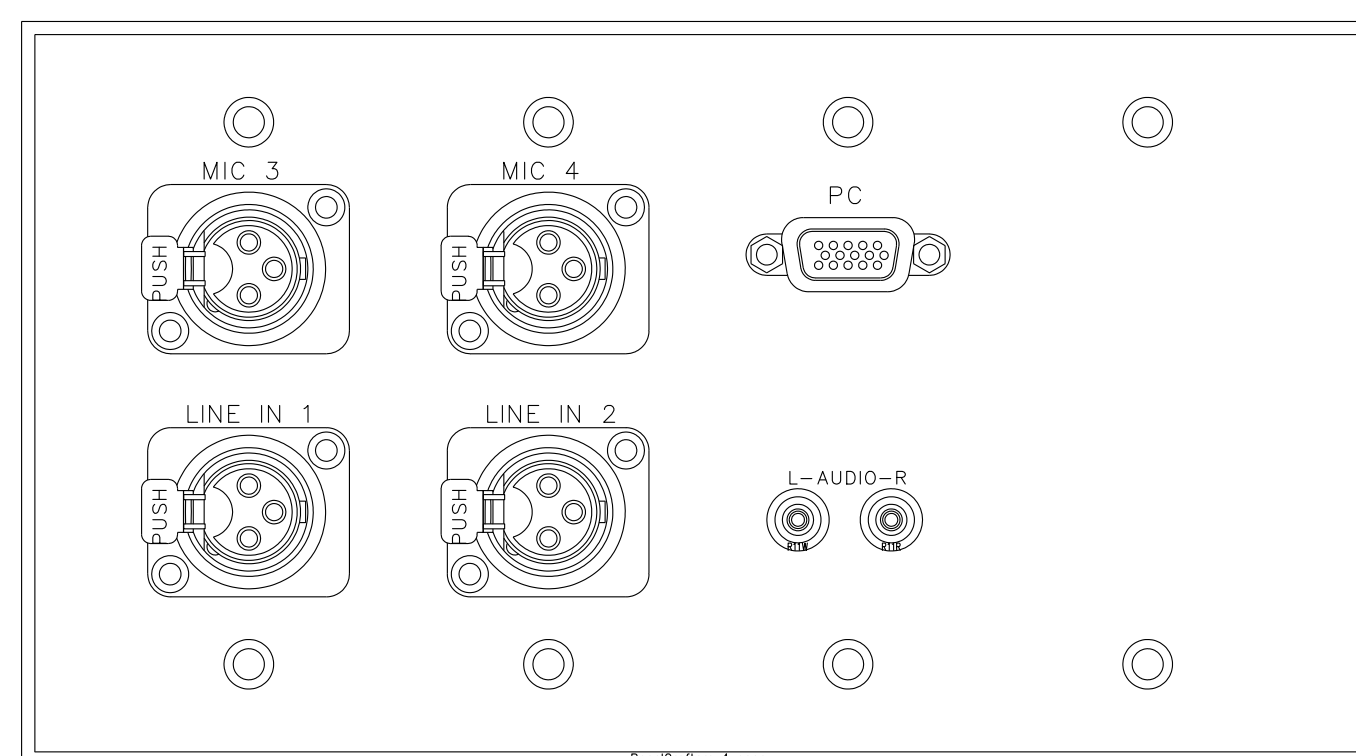
DETAIL - WALLPLATE WPL6-1
SCALE: NTS



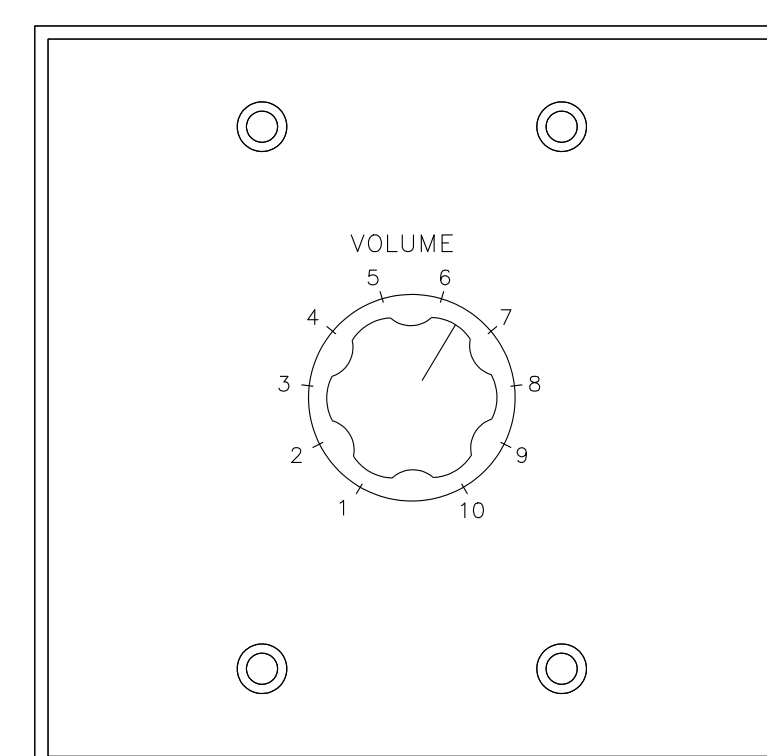
DETAIL - FLOOR BOX FLB2-2
SCALE: NTS



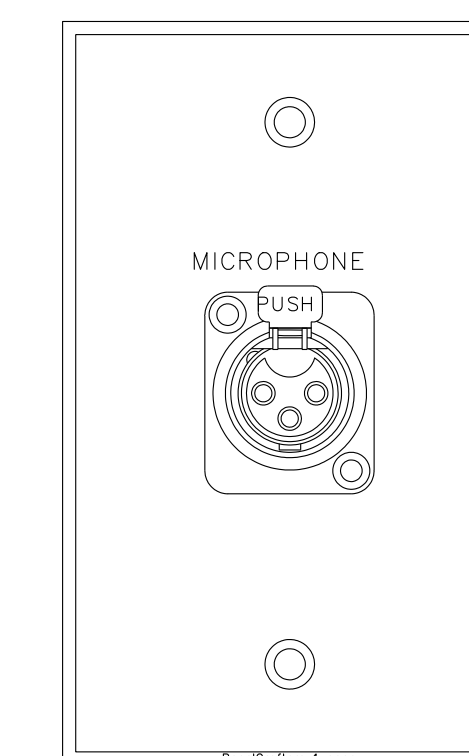
DETAIL - WALLPLATE WPL2-1
SCALE: NTS



DETAIL - WALLPLATE WPL6-2
SCALE: NTS



DETAIL - WALLPLATE VCP1-1
SCALE: NTS



DETAIL - WALLPLATE WPL3-1
SCALE: NTS

- PROPOSAL
- SKETCH
- CDR
- PDR
- FDR
- INTEGRATION
- AS BUILT
- REFERENCE
- PRELIMINARY
- NOT FOR CONSTRUCTION
- DRAFT
- OTHER:

Submittals		
No.	Date	Description
1	01/04/05	Original Submittal

Revisions		
No.	Date	Description
1	10/12/05	Final Revisions
2	10/25/05	Plate Revisions

Notice:
This drawing is the property of AVTG. Design information, drawings, details, and / or specification data may not be reproduced or duplicated. No work may be executed without written authorization of AVTG.
© Copyright 2000, AVTG

Issue : DESIGN PHASE
Project Name : GALVESTON COUNTY J.C.
Project Number : -
Engineered By : MARK BUSHELL
Drawn By : ANDREW MASSEY
Checked By :
Scale : AS NOTED
File Location : G:\SYSTEMS\CADD\GALVESTON CO.
Drawing Name : -

CLIENT:
GALVESTON COUNTY

PROJECT NAME:
GALVESTON COUNTY JUSTICE CENTER

SHEET TITLE
A/V WALL PLATES & FLOOR BOX DETAILS

DWG NUMBER
AV5.2

A/V System Designed & Engineered By:



1420 W. MOCKINGBIRD LN, SUITE 400
 DALLAS, TX, 76247
 PHONE: (800) 229-7444 FAX: (214) 951-7408

- PROPOSAL
- SKETCH
- CDR
- FDR
- INTEGRATION
- AS BUILT
- REFERENCE
- PRELIMINARY
- NOT FOR CONSTRUCTION
- DRAFT
- OTHER:

Submittals		
No.	Date	Description
1	01/04/05	Original Submittal

Revisions		
No.	Date	Description
1	10/12/05	Final Revisions

Notice:
 This drawing is the property of AVTG. Design information, drawings, details, and / or specification data may not be reproduced or duplicated. No work may be executed without written authorization of AVTG.
 © Copyright 2000, AVTG

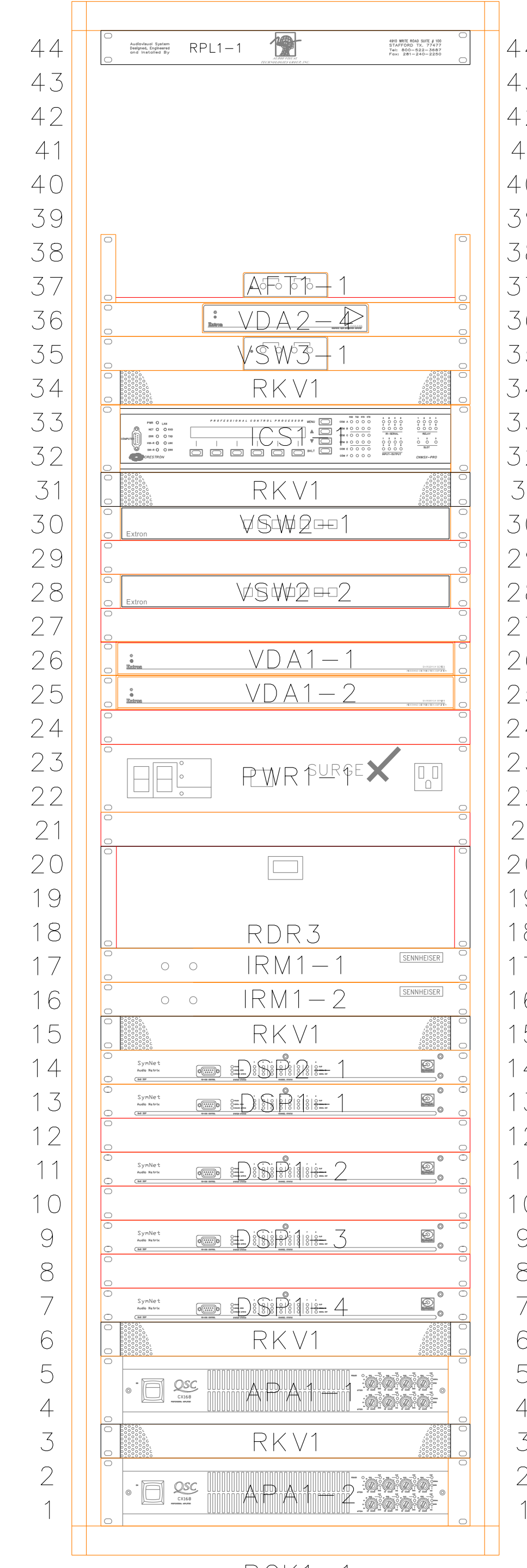
Issue: DESIGN PHASE
 Project Name: GALVESTON COUNTY J.C.
 Project Number: -
 Engineered By: -
 Drawn By: ANDREW MASSEY
 Checked By: -
 Scale: AS NOTED
 File Location: G:\SYSTEMS\CADD\GALVESTON CO.
 Drawing Name: -

CLIENT: GALVESTON COUNTY

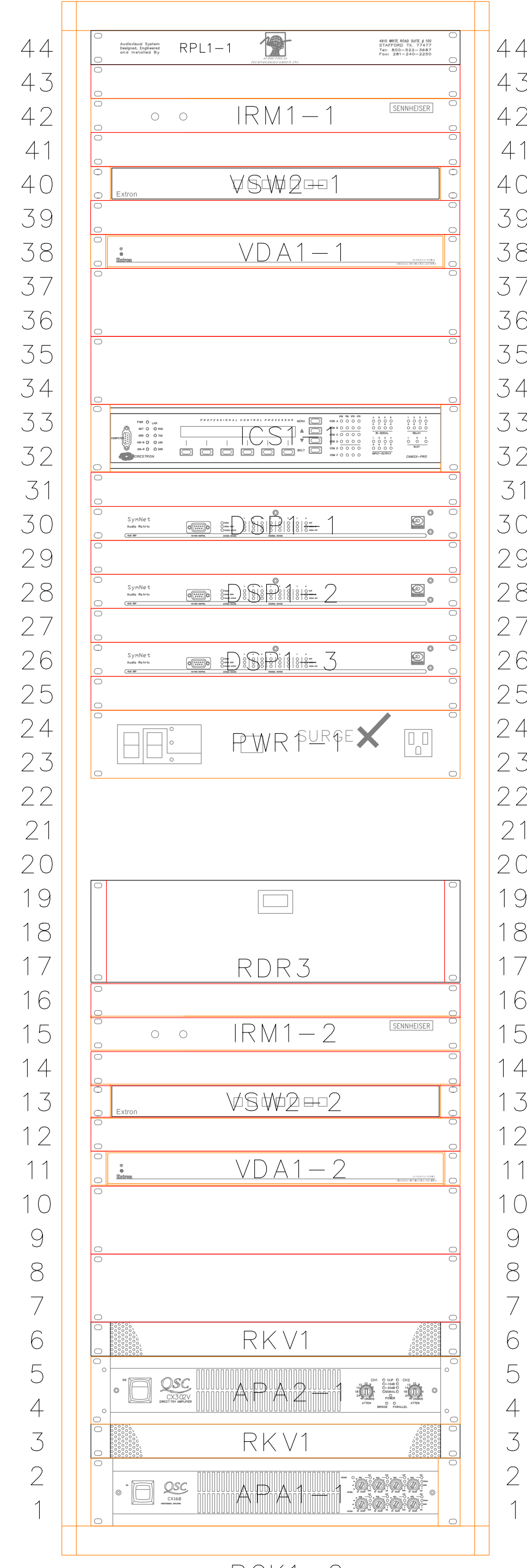
PROJECT NAME: GALVESTON COUNTY JUSTICE CENTER

SHEET TITLE: GALVESTON J.C. A/V RACK ELEVATIONS

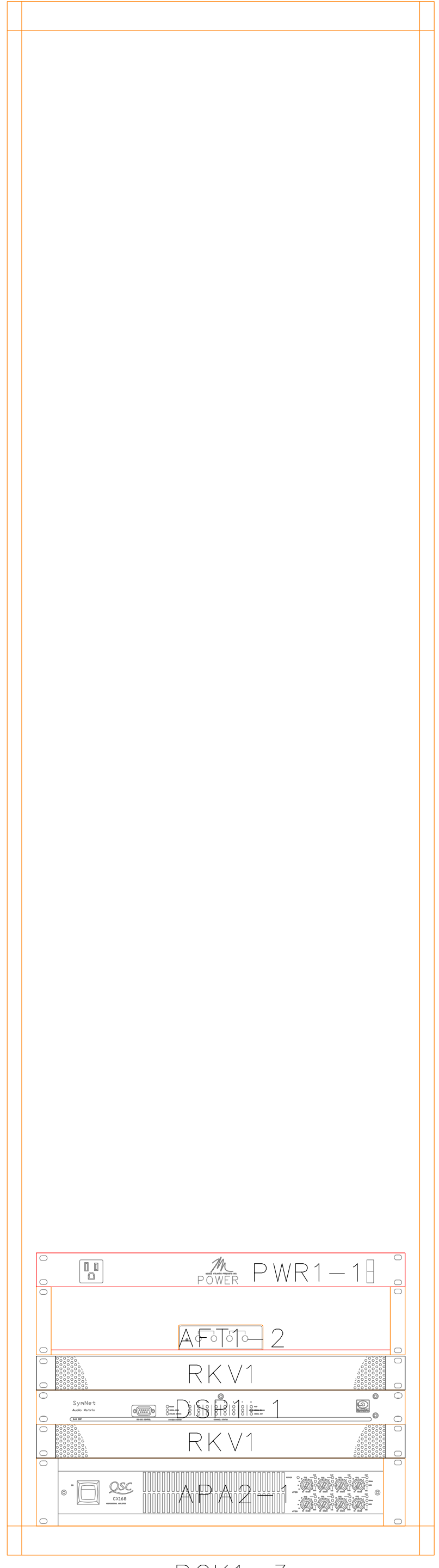
DWG NUMBER: AV5.3



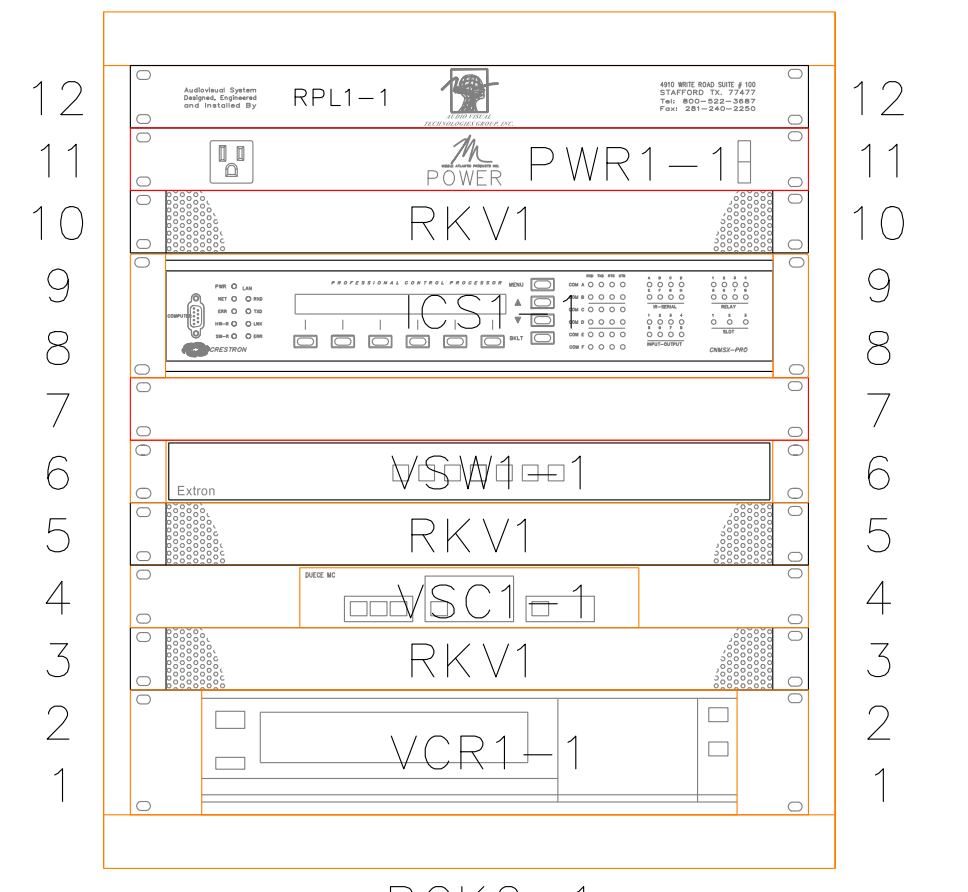
RCK1-1
 EQUIPMENT RACK
 MIDDLE ATLANTIC
 MRK 4431



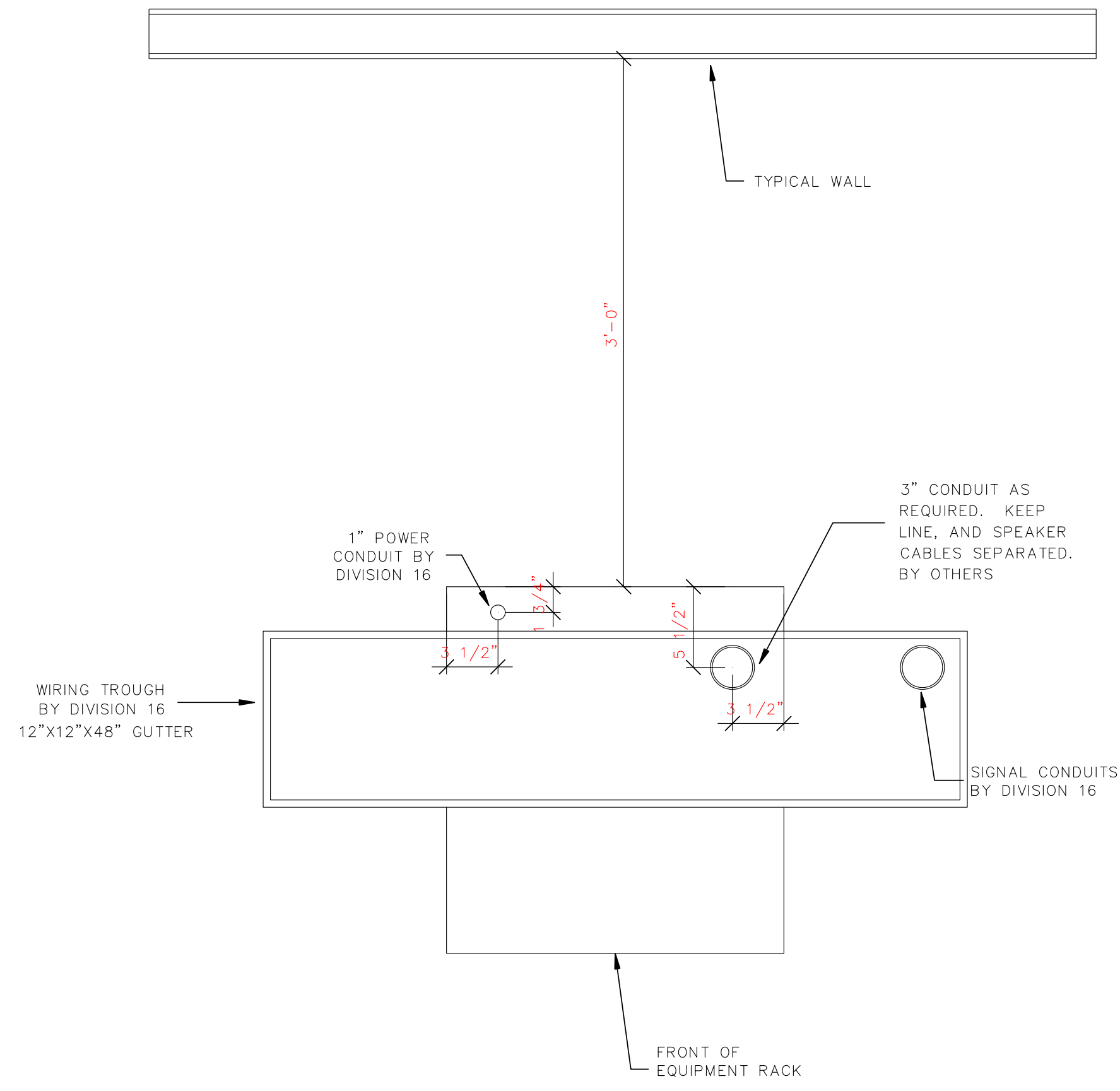
RCK1-2
 EQUIPMENT RACK
 MIDDLE ATLANTIC
 MRK 4431



RCK1-3
 EQUIPMENT RACK
 MIDDLE ATLANTIC
 MRK 4431

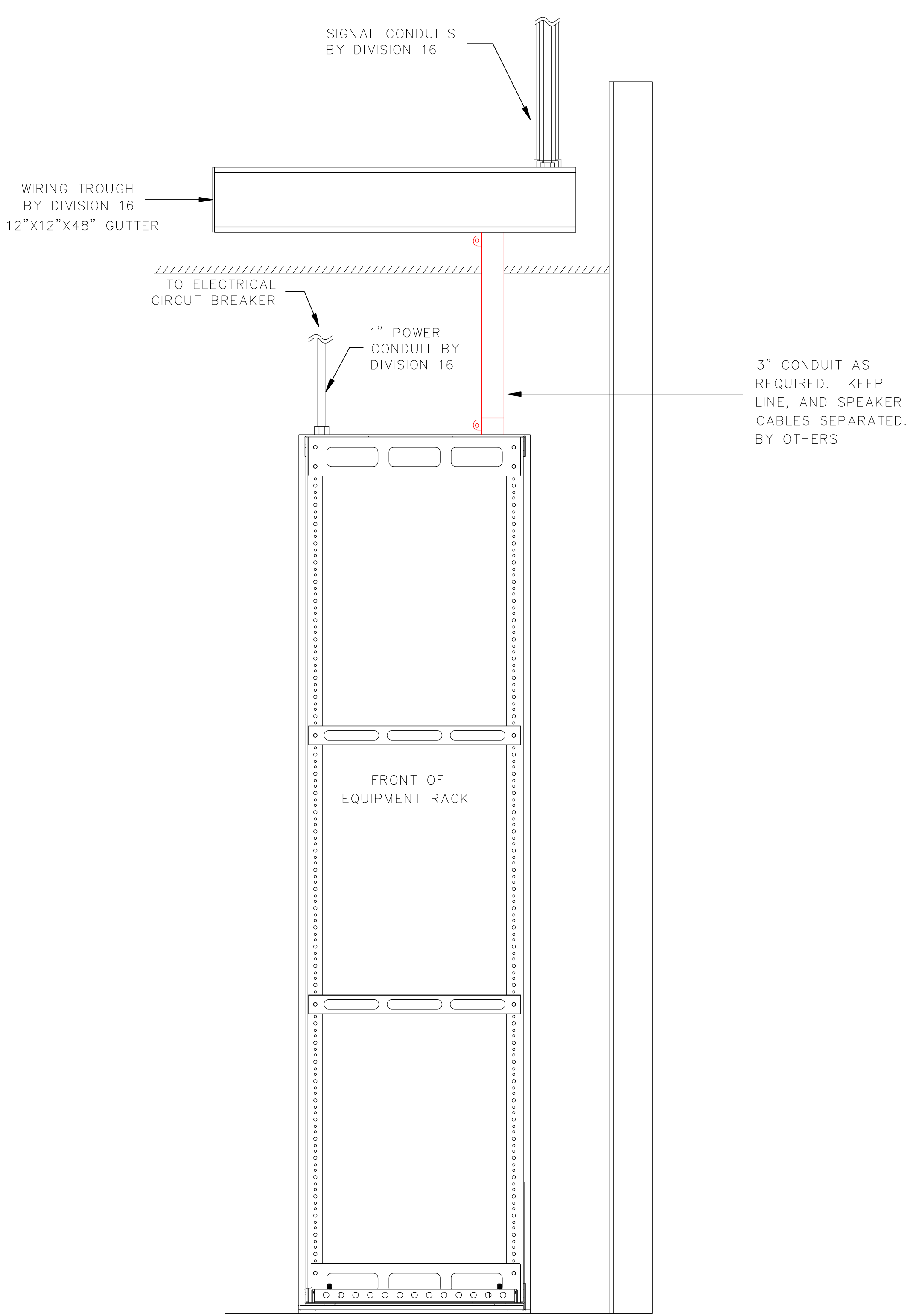


RCK2-1
 EQUIPMENT RACK
 MIDDLE ATLANTIC



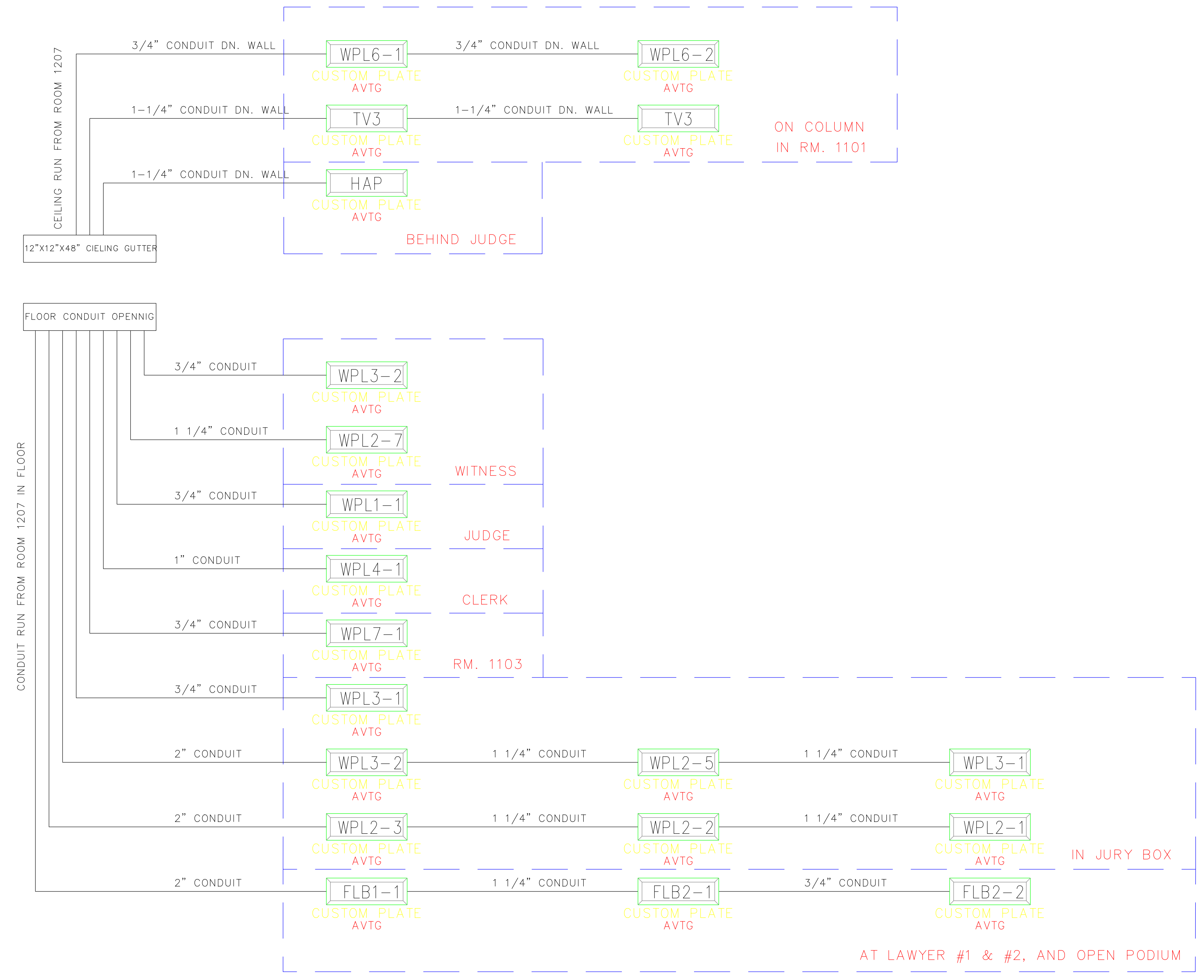
Conduit To Rack Detail Top View

1



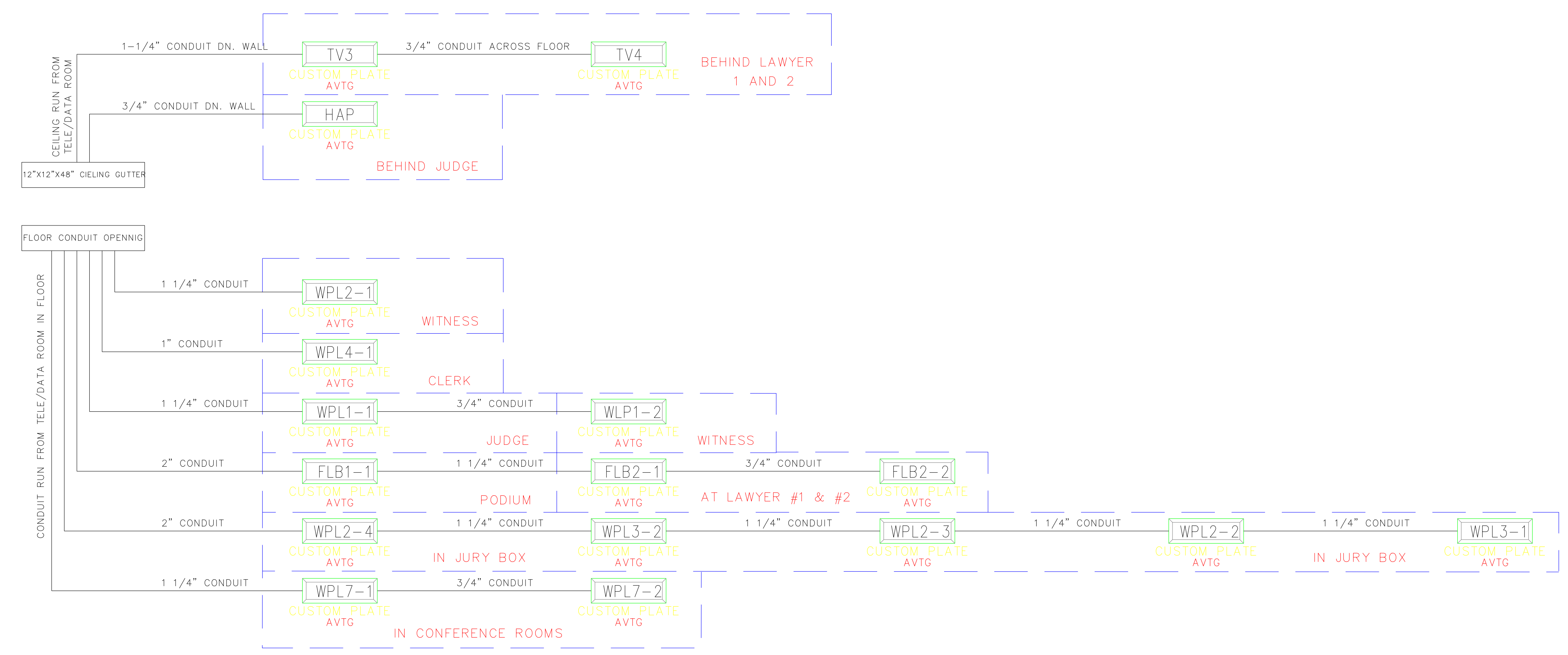
Conduit To Rack Detail Front View

2



Audio/ Visual Conduit Riser For Jury Assembly RCK1-1

3



Audio/ Visual Conduit Riser For Large & Standard Court RCK1-2

4

- PROPOSAL
- SKETCH
- CDR
- PDR
- FDR
- INTEGRATION
- AS BUILT
- REFERENCE
- PRELIMINARY
- NOT FOR CONS
- DRAFT
- OTHER:

Submittals

No.	Date	Description
1	01/04/05	Original Submittal

Revisions

No.	Date	Description
1	10/12/05	Final Revisions

Notice:
 This drawing is the property of AVTG. Design information, drawings, details, and / or specification data may not be reproduced or duplicated. No work may be executed without written authorization of AVTG.
 © Copyright 2000, AVTG

Issue: DESIGN PHASE
 Project Name: GALVESTON COUNTY J.C.
 Project Number: -
 Engineered By: -
 Drawn By: ANDREW MASSEY
 Checked By: -
 Scale: AS NOTED
 File Location: C:\SYSTEMS\CADD\GALVESTON CO.
 Drawing Name: -

CLIENT: GALVESTON COUNTY

PROJECT NAME: GALVESTON COUNTY JUSTICE CENTER

SHEET TITLE: GALVESTON J.C. A/V CONDUIT RISERS

DWG NUMBER: AV5.4

